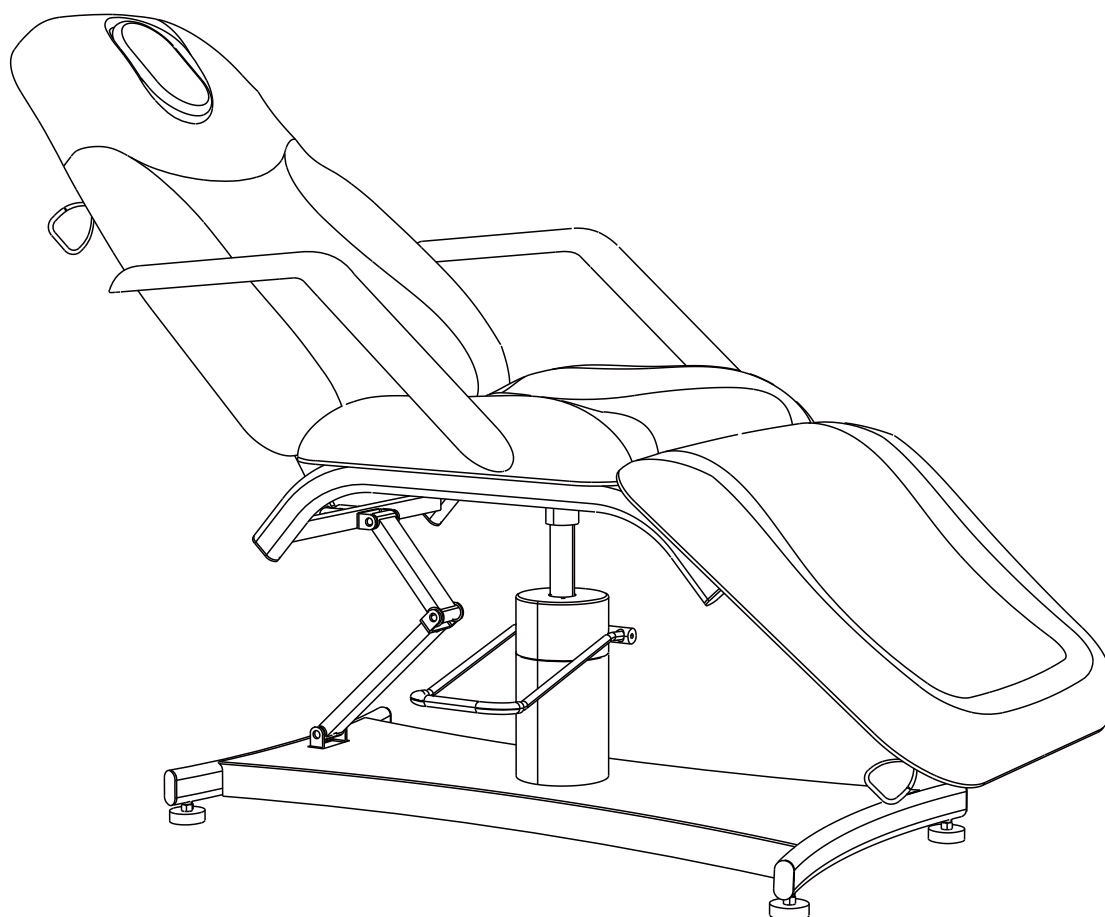


2206A-Beauty Bed

Instruction Manual



Thank you for purchasing 2206A Beauty Bed!
Please read this manual carefully before using.

1、 About this Manual

This manual shall only be used for the reference of operation of this bed. SilverFox will not undertake of any consequences and responsibility if this manual be used for other purposes. This manual is protected by copyright. Do not copy or translate without prior written content from SilverFox.

2、 Technical Parameter

I Size and weight

Product size: 1880mm (L) × 620mm (W) × 100mm (H) with headrest (Tolerance: ±2%)

The Maximum height: 750 ± 10mm

The Minimum height: 550 ± 10mm

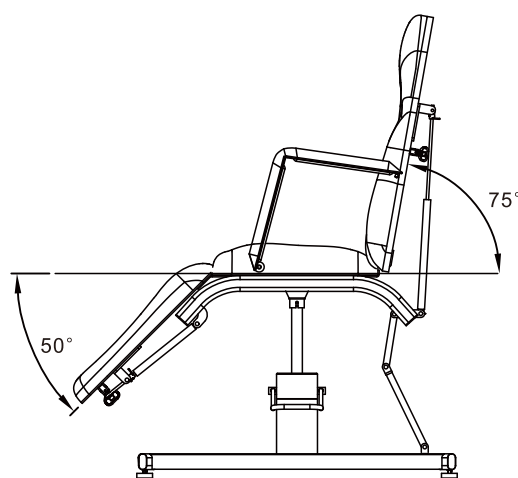
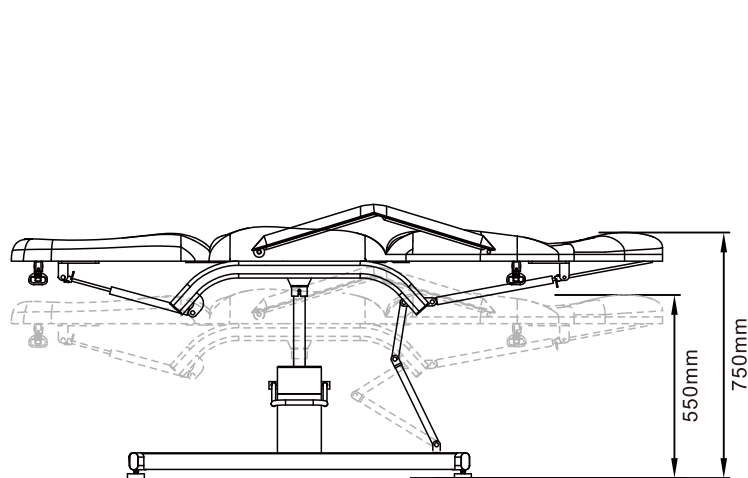
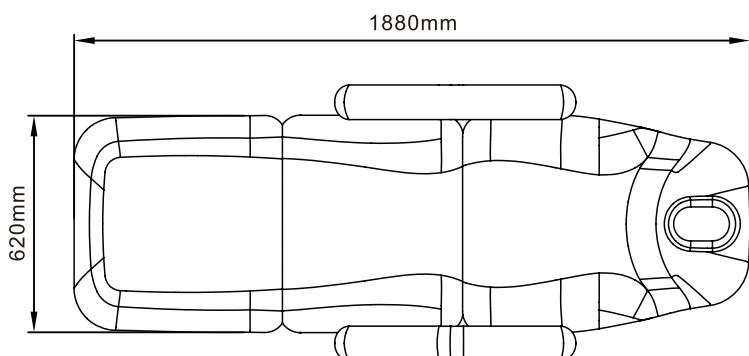
Net weight: 72kgs

I Performance data

Adjustable angle for backrest: 0° ~ +75° (Tolerance: ±10%)

Adjustable angle for leg part: -50° ~ 0° (Tolerance: ±10%)

Limited loading weight: 175 kgs



3. Operation Instruction

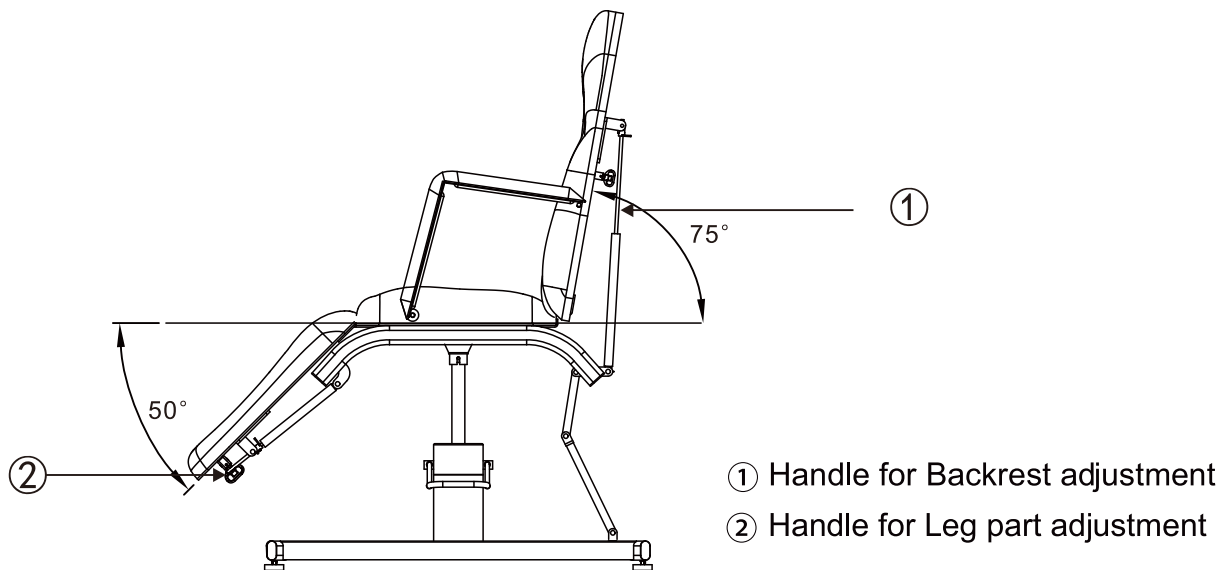
1. Angle adjusting of backrest and leg-support:

1.1: Press the handle for backrest adjustment by one hand;

1.2: With another hand, rise up the backrest to the needful height (0° ~ 75°); the backrest will be fixed once leave the handle; Or press the backrest until flat by another hand.

1.3: Press the handle for leg support adjustment by one hand

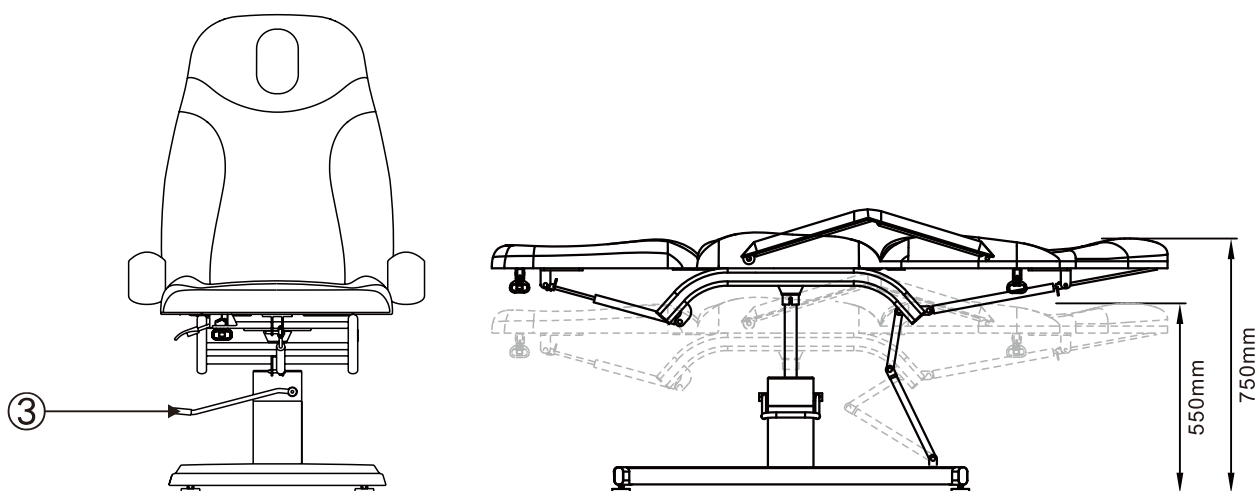
1.4: With another hand, rise up the leg-support to the needful angle (-50° ~ 0°); the leg-support will be fixed once leave the handle; or press the leg-support until vertical by another hand.



2. Height adjusting:

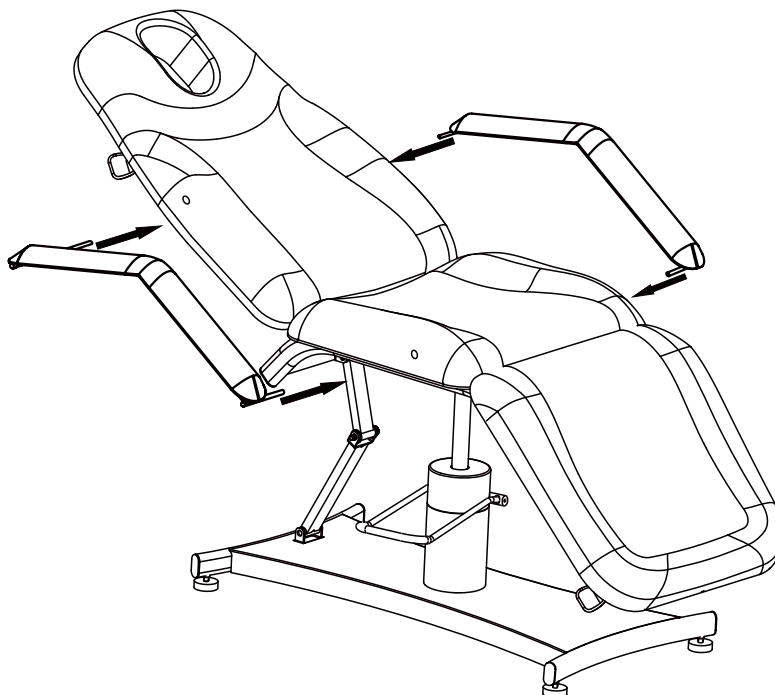
2.1: Stamp the rubber pedal lightly to rise the bed and stamp it totally to get lower.

2.2: Push the pedal to the highest position for making the bed fixed.



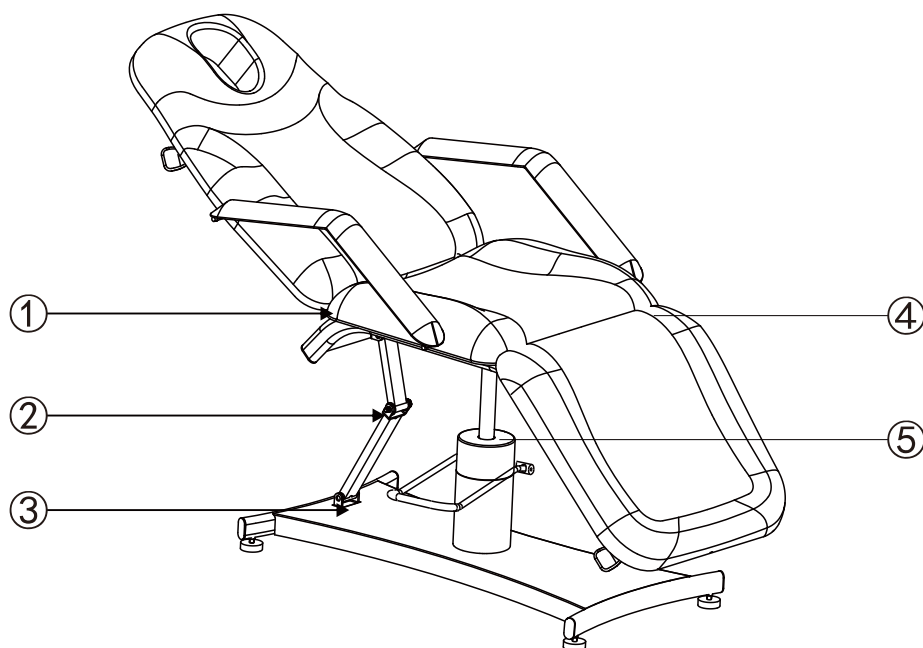
4. Armrest Installation

Install the armrest as illustration below.



5. Attention

To avoid pinch accident, do not put the hands, feed and head into below the following five points ①②③④⑤.



6、 Maintenance

After every treatment, please use neutral cleaner to clean the bed preventing aging problems.

Please check and verify products specifications before use and this manual is only used for reference. The product specifications will be subject to change or update without further notice.