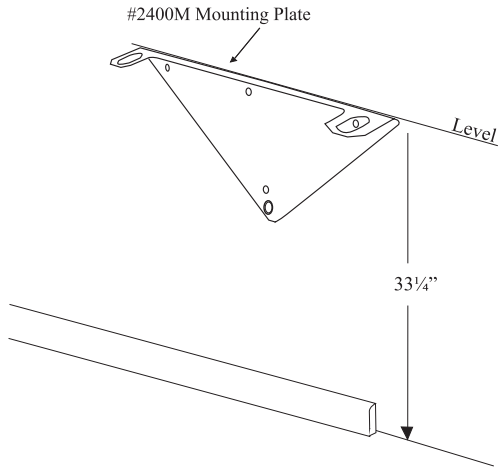


Bowl Mounting Instructions

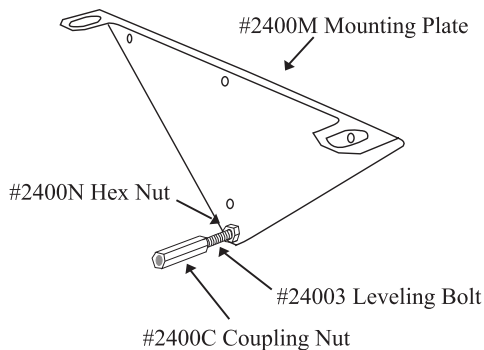
for Model #4000 Cultured Marble Bowl

(Model #100 shown for illustrative purposes.)

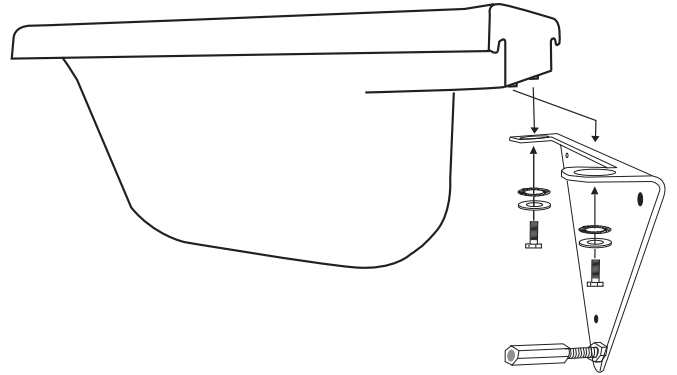
1. Mount the #2400M Mounting Plate to the wall at a height of 33 1/4" from the top edge to the floor for a neckrest height of approximately 33". Insure that the "Mounting Plate" to "wall" bolts (not provided) are fastened to a structural member in the wall or cabinet. Insure that the Mounting Plate is level.



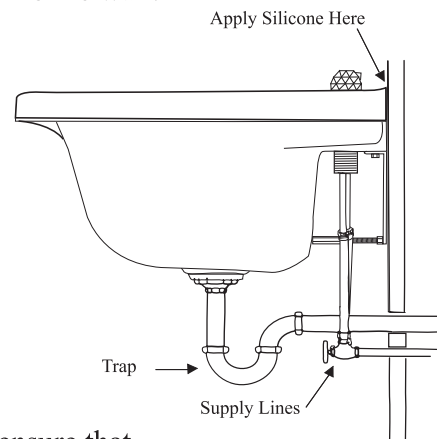
2. Leveling Bolt Installation. Install the #24003 Leveling Bolt all the way into the #2400M Mounting Plate and tighten the #2400N Hex nut to secure. Thread the #2400C Coupling Nut all the way on to the opposite end of the Leveling Bolt.



3. Mount the Model #4000 Shampoo Bowl. Remove the mounting bolts, washers and lockwashers from the back of the bowl. Set the bowl in place on the mounting plate and fasten using the bolts, washers and lockwashers. Insure the bolts are tightened securely and that the bowl is flush with the wall or cabinet. Level the bowl by adjusting the 2400C Coupling Nut.



4. Attach the P-Trap (not supplied) to the #1733 Basket Strainer. Connect the #550 Fixture to the hot and cold supply lines. Apply a bead of silicone to the back edge of the bowl to seal it to the wall.



Note: It is the responsibility of the installer to ensure that installation conforms to all local plumbing codes and regulations. (See next page for rough-in specifications.)

MARBLE PRODUCTS
Wichita, Kansas