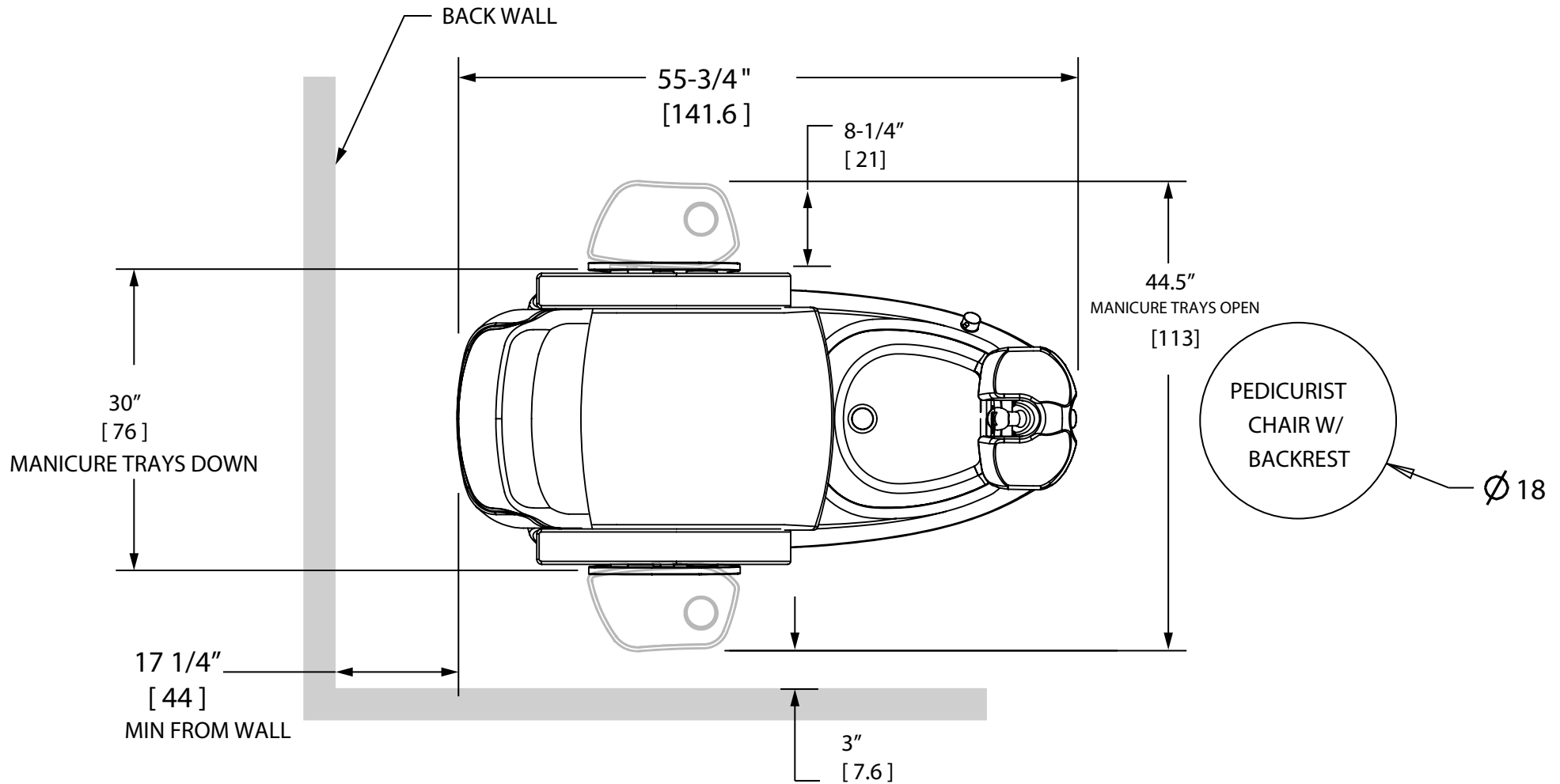


Bravo LE

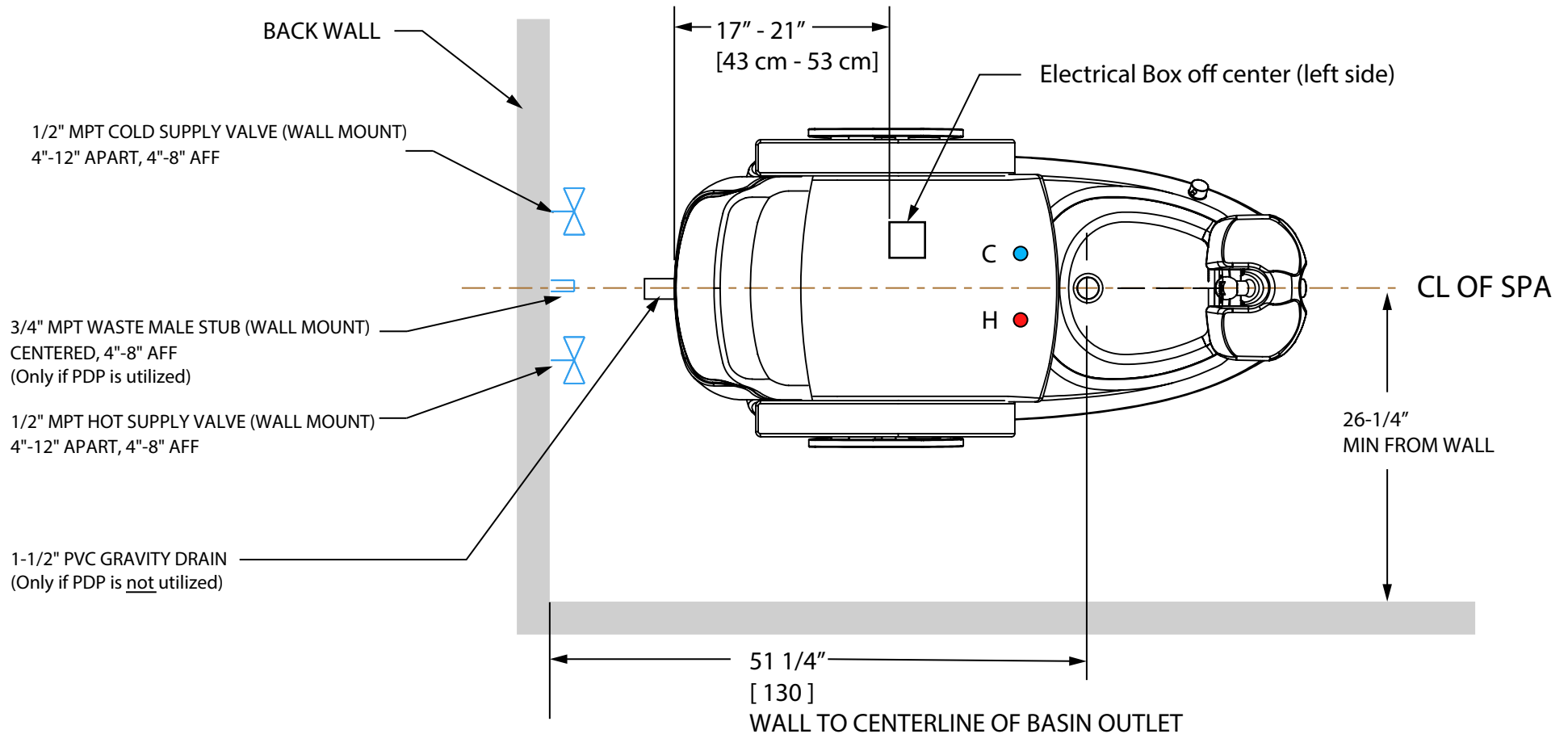
INSTALLATION DRAWING #1 - BRAVO LE OVERALL DIMENSIONS



CONTINUUM FOOTSPAS
Toll Free: 877-255-3030
www.mycontinuumpedicure.com
Date: Nov, 2015

Bravo LE

INSTALLATION DRAWING - BRAVO LE BACK WALL DISCHARGE & THROUGH FLOOR



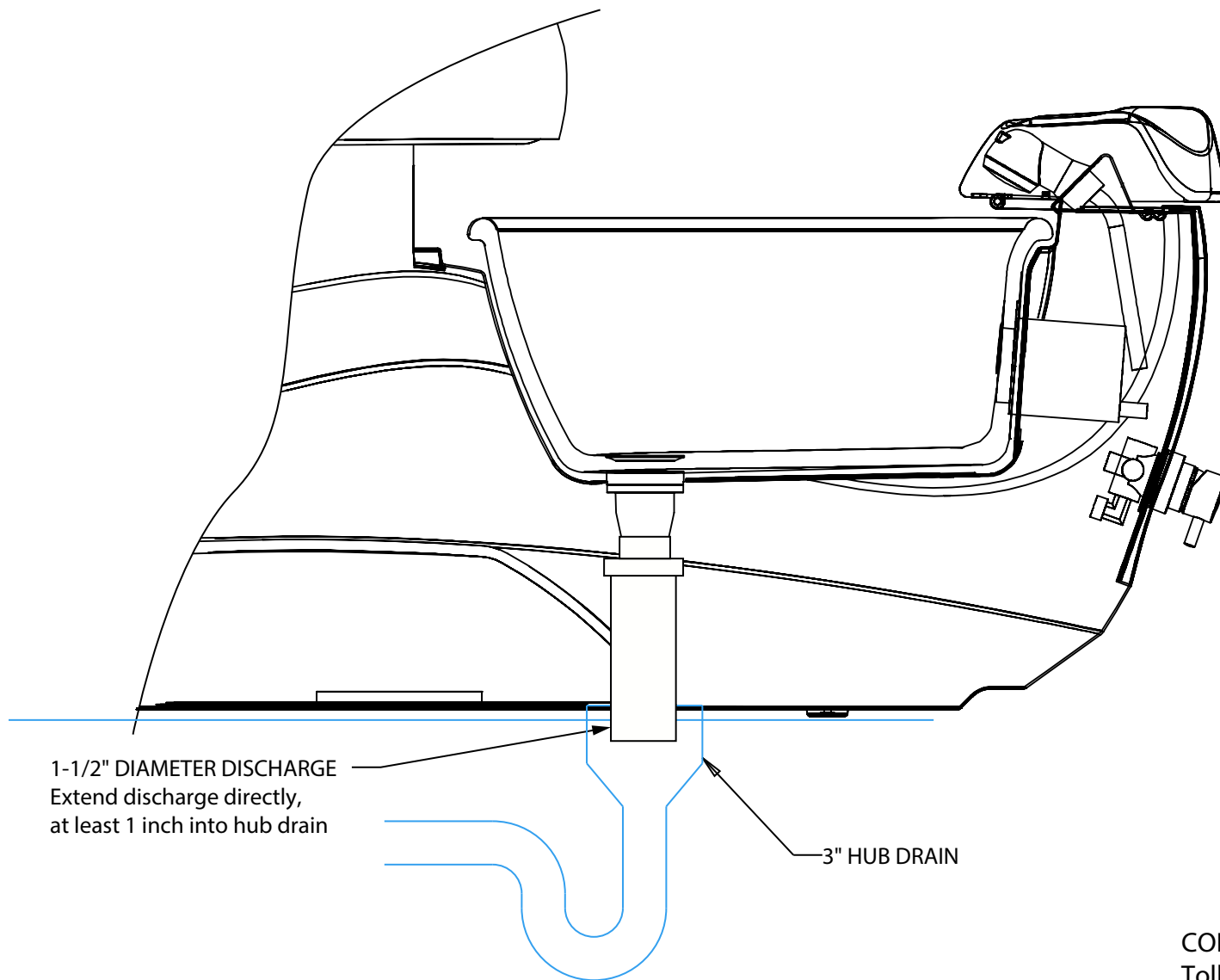
•Electrical Requirements: One (1) dedicated 15 amp, GFCI protected wall outlet/circuit per unit located within two (2) feet of the rear of the Pedicure Chair. (Actual draw is 5 amps) Each Pedicure Chair will be supplied with a standard 40" grounded power cord. If utilizing an in-floor electrical box (4" round), position box underneath spa approximately 17" -21" (43 cm - 53 cm) off centerline (left side) from back edge of fiberglass base.

If utilizing H & C shut off valves, position them 6" apart; 30" from back edge of base.

CONTINUUM FOOTSPAS
Toll Free: 877-255-3030
www.mycontinuumpedicure.com
Date: Nov, 2015

Bravo LE

INSTALLATION DRAWING BRAVO LE INDIRECT WASTE RECEPTOR (IF AIR GAP IS REQUIRED BY LOCAL CODE)



UPPER DIMENSIONS ARE IN INCHES
LOWER DIMENSIONS [] ARE IN CENTIMETERS