



ASSEMBLY, INSTALLATION, and OPERATION

Collins Electric Shampoo Chairs

50-60 Futura

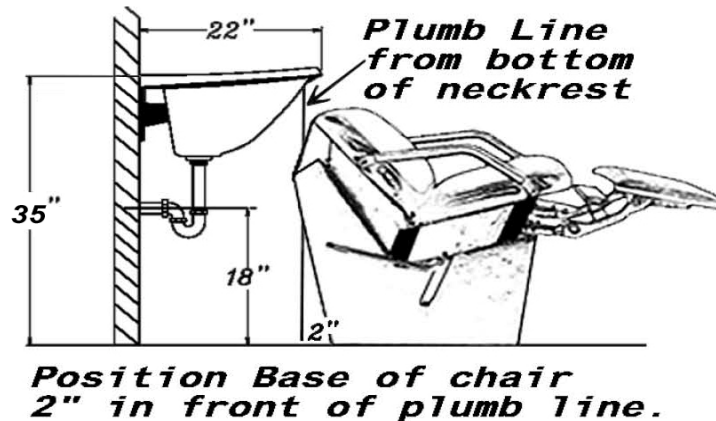
8282 Magnum XL

ALL MODELS

No customer assembly required ... fully assembled at Collins factory.

CORRECT CHAIR PLACEMENT

1. Locate the furnished plumb line – string with weight – included.
2. Drape the string over center of the bowl's neckrest and let the weight rest on the floor. Mark or note the point where the weight touches the floor.
3. Position the chair 2" forward of the mark, moving away from the bowl.
4. Align center of the chair, left to right, with center of the bowl.



5. *This is the factory-recommended placement of the chair.*
6. Adjust forward or backward as much as an inch depending on the type, shape, and height of your shampoo bowl.

CORRECT ELECTRICAL HOOK-UP

1. Locate power cord at the back of chair near the floor.
2. Safely route the cord under the cabinet, under the floor, or under a wire threshold to prevent a person from tripping.
3. Plug chair into 110 volt, 15 amp, ground-fault-interrupter (GFI) outlet. The GFI outlet is factory recommended and may be required by local codes.

CORRECT USE & OPERATION OF THE CHAIR

1. For safety, chair should be DOWN all the way for client entry & exit.
2. Demonstrate operation of the kick-out footrest that may be optionally used.
3. Using the control wand, raise chair so client is best-positioned for shampoo.
4. After shampoo, use the control wand to lower the chair **AND** insure that the footrest is closed to insure safe exit from the chair.