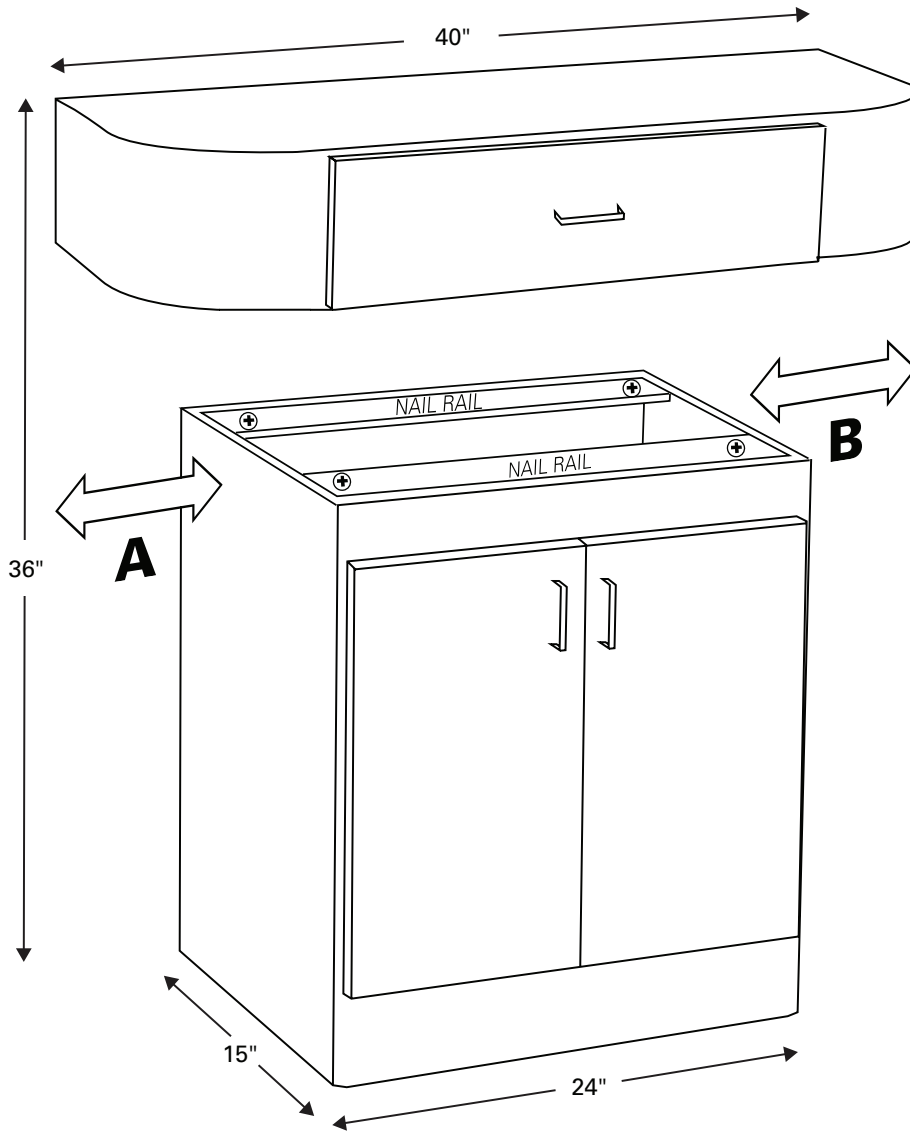


# Jazz

## Styling Station with Storage



Tip: On the back of both pieces place a mark IN THE CENTER of each unit. Align the two marks together and the station should be centered.

### Assembly Instructions:

1. Using a 3/16" drill bit, pre-drill 4 holes in the nail rail of base cabinet as pictured.
2. Center the Jazz Station to the base cabinet by measuring the distance from BOTH sides {A=B}. Please also position the Jazz station FLUSH with rear side of base cabinet. When positioned properly the Jazz station should overhang 3" in the front and 8" on either side.
3. Open doors to base cabinet to access the interior & remove drawer completely from Jazz station.
4. To attach the Jazz station to the base cabinet drill (4) 1.25" screws (provided) from inside the cabinet up through the nail rail and into the Jazz station through the holes pre-drilled in step 1. Only use the provided 1.25" screws as screws that are too long will not allow the drawer to operate properly and/or may damage the Jazz station.
5. Replace drawer.
6. Using the shelf pins (provided), insert shelf at desired position inside the base cabinet.