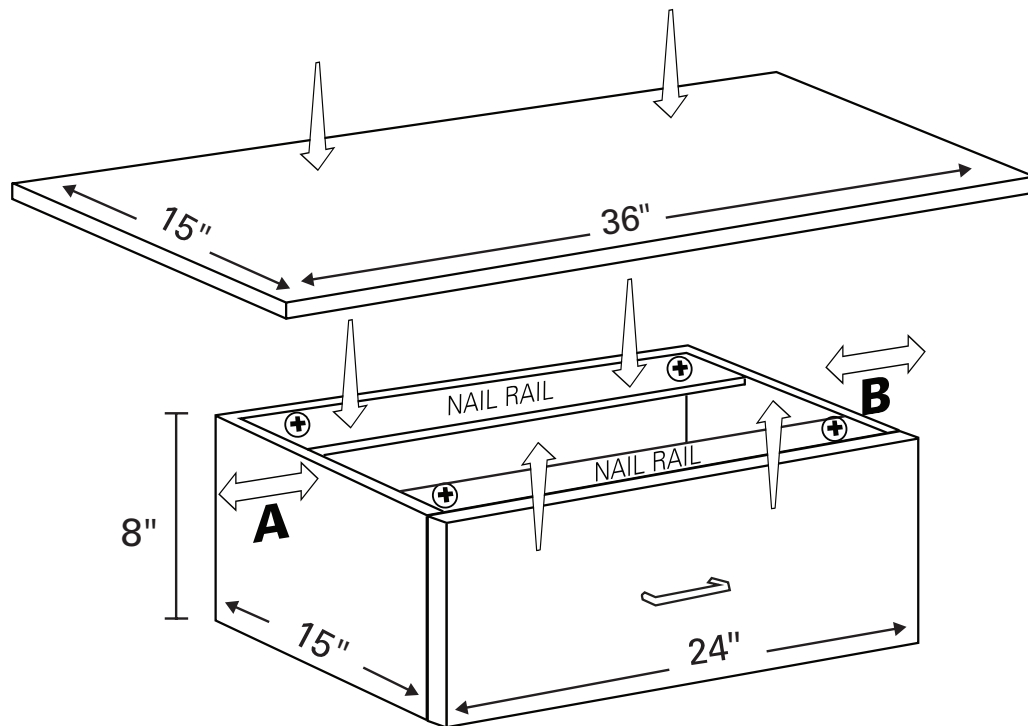


Manhattan

Wall Styling Station



Tip: On the back of both pieces place a mark IN THE CENTER of each unit. Align the two marks together and the station should be centered.

Assembly Instructions:

1. Pull drawer completely out of cabinet.
2. Using a 3/16" drill bit, pre-drill 4 holes in the nail rail as pictured.
3. Center the station topper to the base cabinet by measuring the distance from BOTH sides {A=B}. Please also position topper FLUSH with rear side of base cabinet.
4. To attach the topper to the base cabinet drill (4) 1.25" screws (provided) from inside the cabinet up through the nail rail and into the topper through the holes pre-drilled in step 2. Only use the provided 1.25" screws as screws that are too long will not allow the drawer to operate properly and/or may damage the topper.
5. Replace drawer & hang

Mounting instructions to wall:

1. Locate studs in wall (usually 16" apart).
2. Drill (2) 2.5" screws (not provided) through back of station and into each stud mounting the station at the height of your choosing (we recommend 36" to the work surface).

NOTE: Be sure to use the proper type of screws for this based upon what type of wall you are attaching the station to. (i.e. drywall, metal, brick etc.)