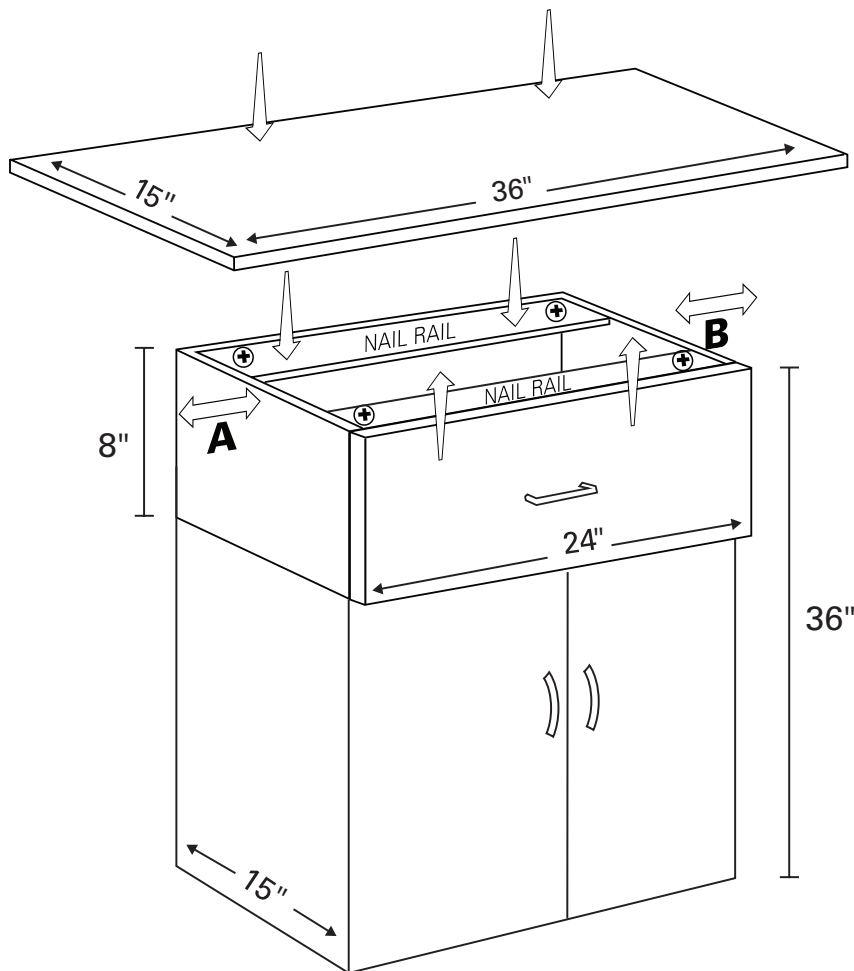


# Miami

## Styling Station with Storage



Tip: On the back of both pieces place a mark IN THE CENTER of each unit. Align the two marks together and the station should be centered.

### Assembly Instructions:

1. Pull top drawer completely out of the base cabinet and open the doors to access the interior.
2. Using a 3/16" drill bit, pre-drill 4 holes in the nail rail as pictured.
3. Center the station topper to the base cabinet by measuring the distance from BOTH sides {A=B}. Please also position topper FLUSH with rear side of base cabinet.
4. To attach the topper to the base cabinet drill (4) 1.25" screws (provided) from inside the cabinet up through the nail rail and into the topper through the holes pre-drilled in step 2. Only use the provided 1.25" screws as screws that are too long will not allow the drawer to operate properly and/or may damage the topper.
5. Replace drawer.
6. Using the shelf pins (provided), insert shelf at desired position inside the base cabinet.

