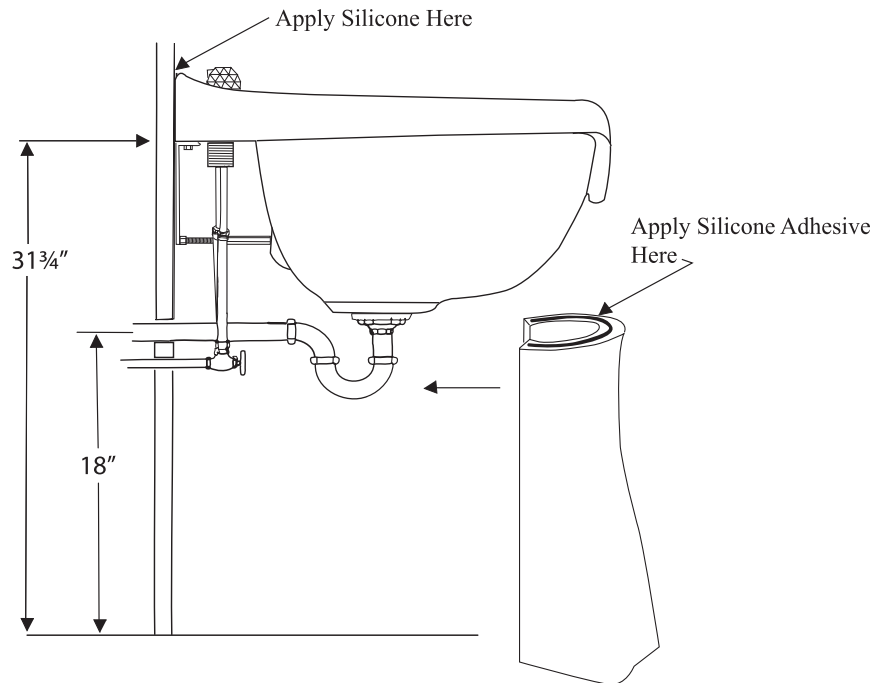
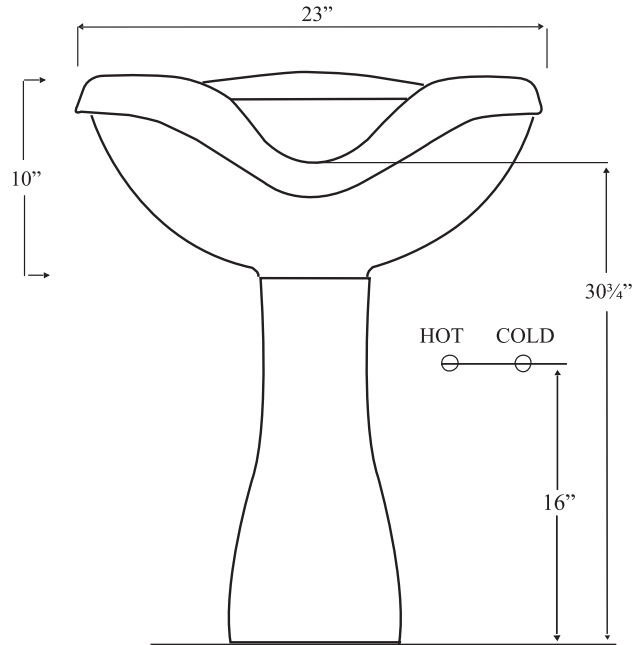
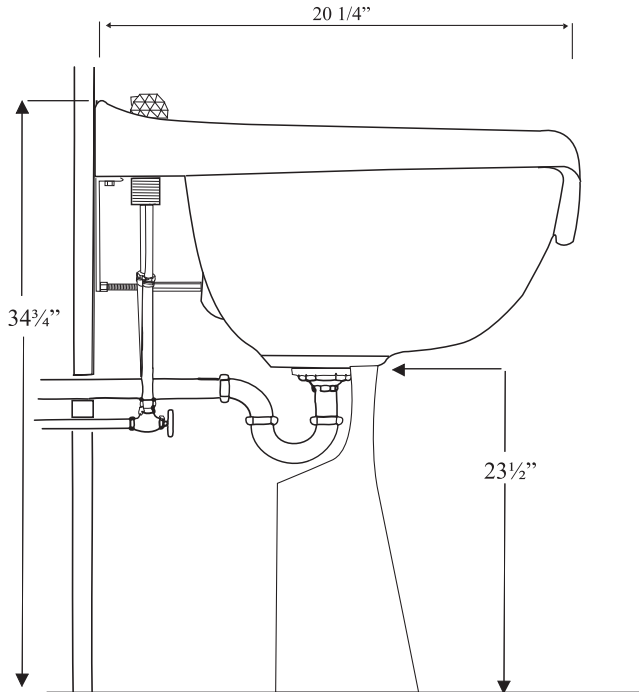


Rough In Specifications for Model #2001

Important Note to Installer

When installing in wet styling booths or cabinets refer to the manufacturer's specification sheet to determine how far the waste plumbing and water supply lines should extend from the wall to outer face of cabinet. The depth of the cabinet will determine this specification.



MARBLE PRODUCTS
Wichita, Kansas