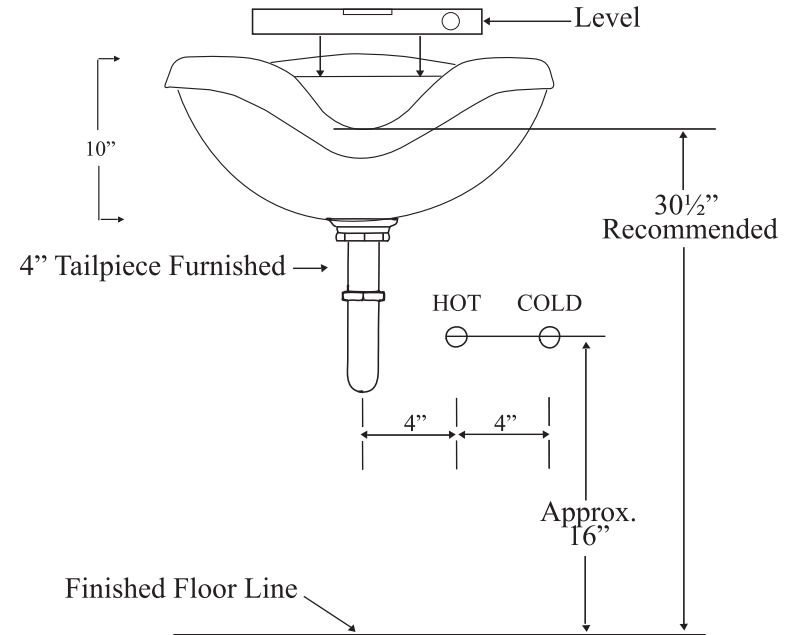
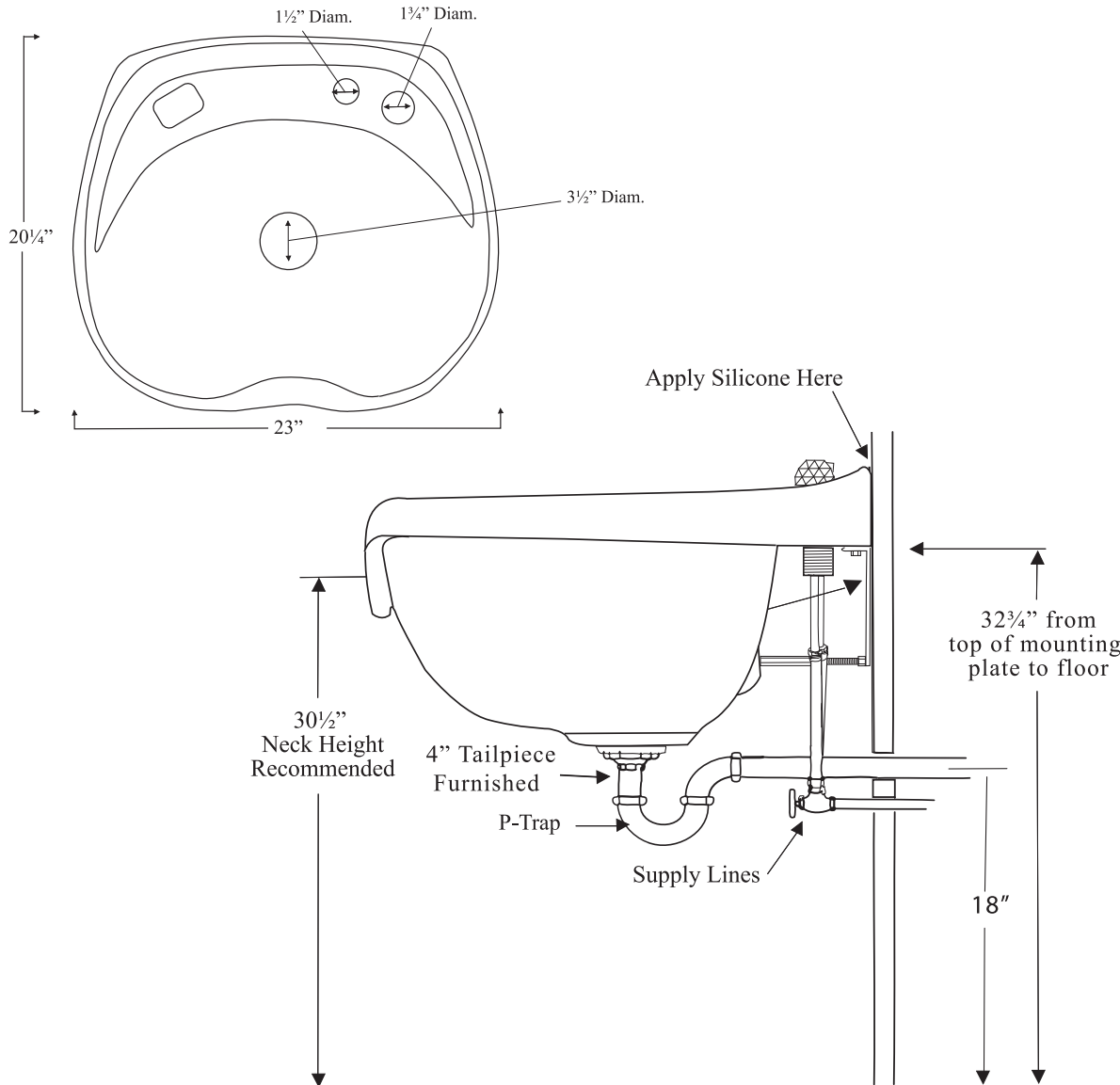


Rough In Specifications for Model #2000

Important Note to Installer

Consult with owner before mounting bowl in order to determine suitable neckrest height. Recommended neckrest height for Model #2000 Shampoo Bowl is 30½". However because of various types of chairs that can be used with this bowl, it may be necessary to raise or lower the mounting height of the bowl. It is important to consider the chair/bowl relationship before mounting to the wall.

When installing in wet styling booths or cabinets refer to the manufacturer's specification sheet to determine how far the waste plumbing and water supply lines should extend from the wall to outer face of cabinet. The depth of the cabinet will determine this specification.



MARBLE PRODUCTS
Wichita, Kansas