



PRODUCT SPECIFICATION SHEET

Part #: 9050 • 9060

Description: Commander Barber Chair

Standard Features:

Cast logo footrest, mahogany finished SOLID arms & footrest support, quilted upholstery, adjustable & removable headrest, heavy-duty chrome hydraulic base. Chair has gas cylinder reclining back w/ bearings for smooth operation & durability. Available w/ stationary or kickout footrest.

Four Color Choices: Wallaby Black, Wallaby Charcoal, Wallaby Chocolate, and Wallaby Camel



(Eighty+ additional choices available for 10% upcharge)



Specifications:

	9050	9060			
A Width (Between Arms)	22.75	22.75			
B Height (top of reclined back)	37+4	37+4			
C Overall Depth (Seat depth)	21.5	21.5			
Dimensional Weight	N/A	N/A			
SHIPPING Carton Width	32	32			
SHIPPING Carton Length	48	48			
SHIPPING Carton Height	50	50			
SHIPPING Base Lift Height	7.5*	7.5*			
SHIPPING Reclining Back	Y	Y			

*Denotes Hydraulic Base, **Denotes Gas Cylinder Lift
All dimensions are in inches AND are for chair in lowest position

Optional Features:

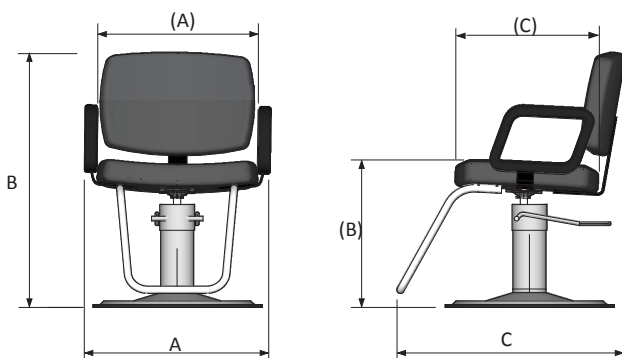
- Hydraulic Upgrades: Electric Base
-
-
-
- 9050 Commander I Barber Chair w/ Stationary Footrest
- 9060 Commander II Barber Chair w/ Kick-out Footrest

Shipping and Assembly/Installation Information

Assembly Required: Yes No
 Electrical Required: Yes No
 Ship Dimensions: See "W x "D x "H
 UPS Dimensional Weight: Above LBS
 Total Ship Weight 158 LBS
 # of Ship Pieces Cartons 1 Skids

Additional Information:

Warranty:
 Foot-operated hydraulic base - 7.5 years, Reclining mechanism - 5 years, Molded urethane arms - 3 years



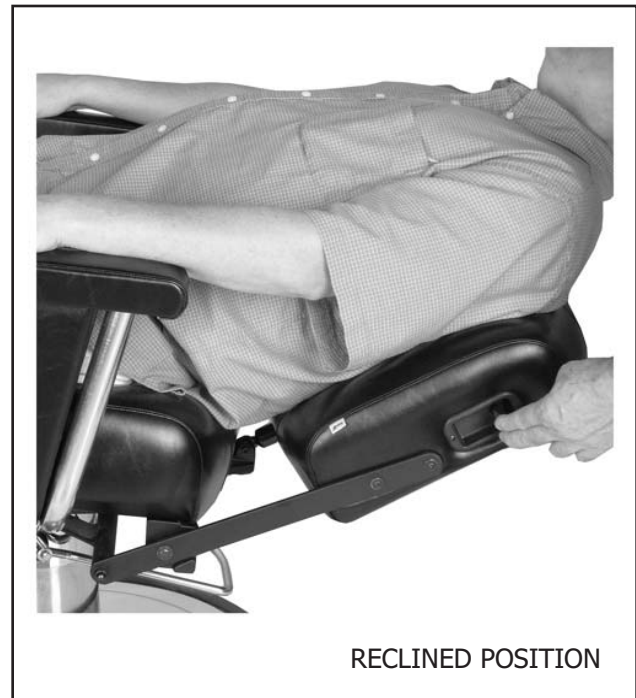
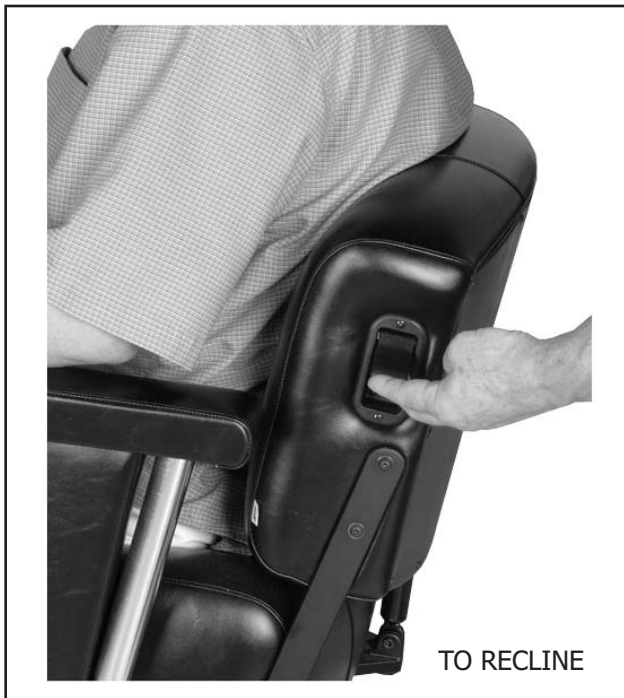
OPERATING Collins BARBER CHAIR for SHAMPOO or SHAVE

How to Lower & Raise the Chair's Reclining Back



It operates like an AIRLINE seat

800-292-6450



1. Lift the finger-control with two fingers to initiate the recline. Client's weight will make the chair's back-cushion recline. For heavier customers, use spare hand to slow or control the back's recline.

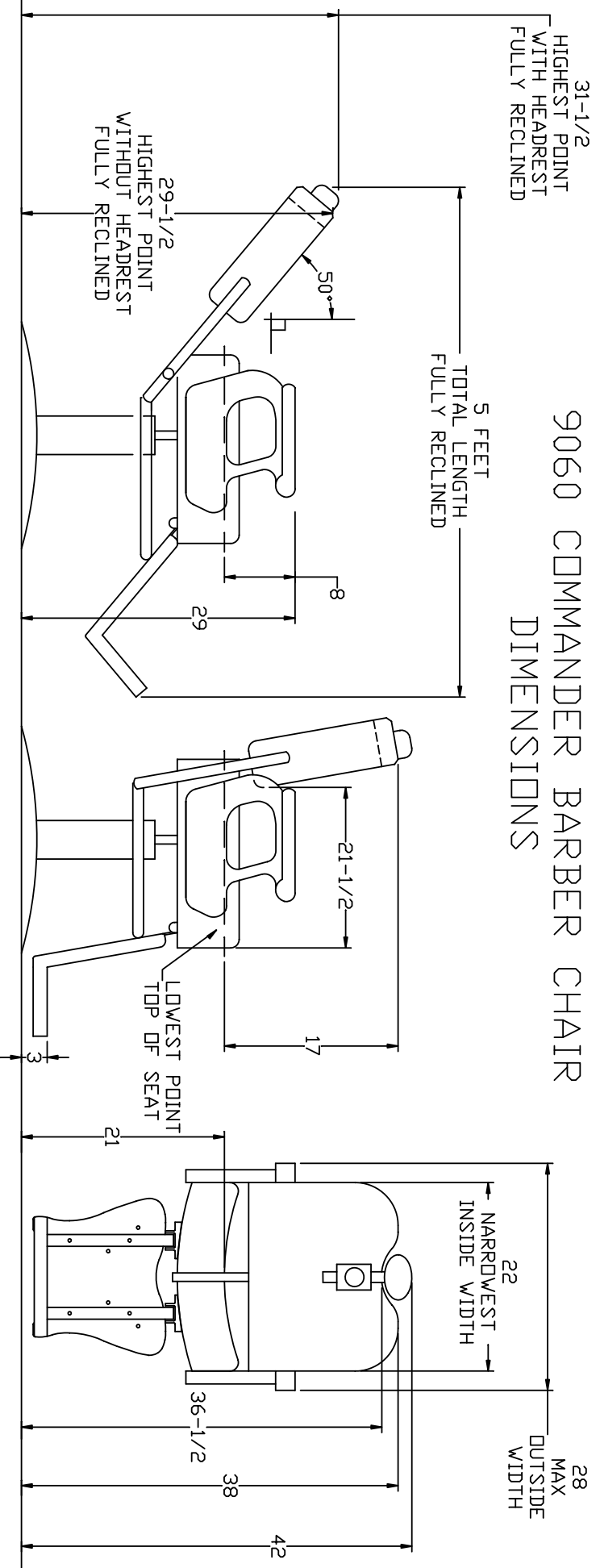
2. Once reclined to desired shampoo angle, you simply release the finger-control. This will lock & hold the chair's back in position for desired service.



3. Instruct client to please UPRIGHT HIMSELF & remain upright so you can return the back-cushion to the original upright position. Then, lift the finger-control with two fingers --- back cushion will raise itself to upright position. Chair will not lift the client ... and neither should stylist try to lift the client.

4. Once chair's back has raised itself to the upright position, instruct the client to lean back & relax for your haircut.
5. Upon completion of haircut, push foot-treadle all the way down to LOWER CHAIR TO LOWEST POSITION. Then instruct client to safely exit the chair.

9060 COMMANDER BARBER CHAIR DIMENSIONS



This image is the property of Collins Manufacturing Company and is protected under copyright law.