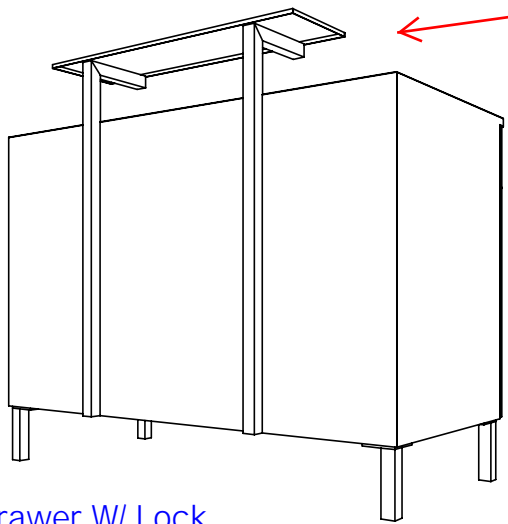
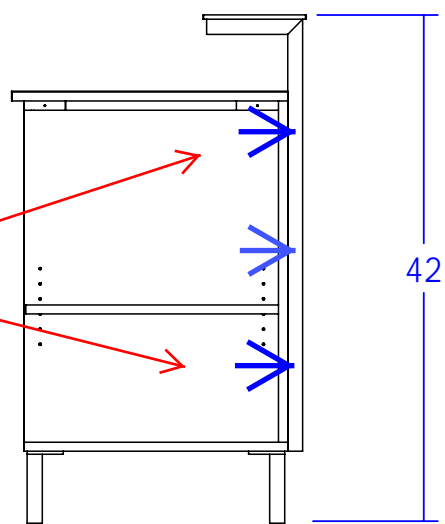


Cash Drawer W/ Lock



30 x 8 1/2 x 3/8 Glass Ledge


1. Desk was fully assembled at the factory, and is almost fully assembled when delivered.
2. Salon must re-fasten the two L-shaped steel ledge supports to front of desk with the fasteners provided.
3. Using the self-adhesive silicon bumpers, fix glass ledge on L-shaped steel supports.



42

Finish Schedule -951-48
Face Color -
Top Color -
Toe Color -
Reveal / Accent Color -
Hardware - Enova Pulls
Interior - Black
Other (Specify) -

General Notes:
2. Items must be broken into manageable sections For Shipping. Mark For Ease Of Reassembly.
3. Install Shipping Cleats Wherever Possible To Prevent Shipping Damage.
4. Purchased items Must Be Trial Fit Before Shipping.

 Collins Manufacturing 2000 Bowser Road Cookeville, TN 38506		
Title 951-48 Enova Due		
Size: NTS	Drawing Number: 67853	Drawn By:
Date:	Sheet	1 of 1