



PRODUCT SPECIFICATION SHEET

Part #: 6604-33

Description: Kurve Back-to-Back Formula Styling Station

Standard Features:

- LED lights
- Etched glass accent
- 2 drawers
- Easy-access pull-out tool panel
- Cord drop
- Upper storage shelves
- Includes top-to-bottom wire chase
- Duplex outlet
- Six outlet power switch

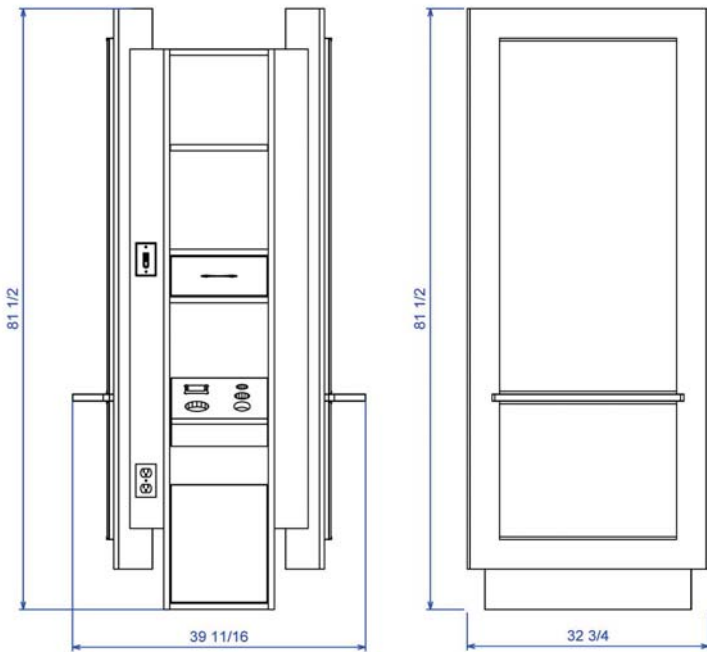
(Forty nine laminate selections + additional choices available for 10% upcharge)



Specifications:

NEW for 2016

This smart contemporary design will take your salon to the next level. Full featured station with each stylist having a drawer, easy-access pull-out tool panel, cord drop, and upper storage shelves. Includes top-to-bottom wire chase, duplex outlet, six-outlet power switch, and more.



Shipping and Assembly/Installation Information

Assembly Required:	<input checked="" type="checkbox"/> Yes	<input type="checkbox"/> No
Electrical Required:	<input checked="" type="checkbox"/> Yes	<input type="checkbox"/> No
Plumbing Required:	<input type="checkbox"/> Yes	<input checked="" type="checkbox"/> No
Ship Dimensions	"W x "D x "H	
Total Ship Weight	685 LBS	
# of Ship Pieces	Cartons 2	Skids

Additional Information:

32"W x 48"L x 90"H 370lbs
38"W x 84"L x 26"H 315lbs

