



PRODUCT SPECIFICATION SHEET

Part #: 946-60-1

Description: Amati Free Standing Color Island



Standard Features:

- Centered Stainless Steel Sink
- Both Sides Have:
 - - Color Cubbies
 - - Upper Storage Cabinet
 - - 2 Drawers
 - - Lovers Storage Cabinets w/ Adj. Shelves
 -
 -
 -

Over 40 cabinet laminate colors available.

Specifications:

Amati COLOR ISLAND is a free-standing color bar. Both sides have identical features ... color cubbies, upper storage w/ sliding doors, two drawers, two storages cabinet w/ adjustable shelf, and center cabinet for soiled towels or trash. Unit has round stainless steel sink in the center w/ goose-neck spout and paddle handles. Amati Legs & upper cabinet is supported by Amati-Steel. Measures 60"W x 30"D x 36"H x 80"H.

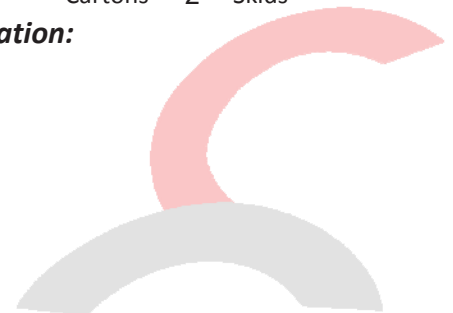
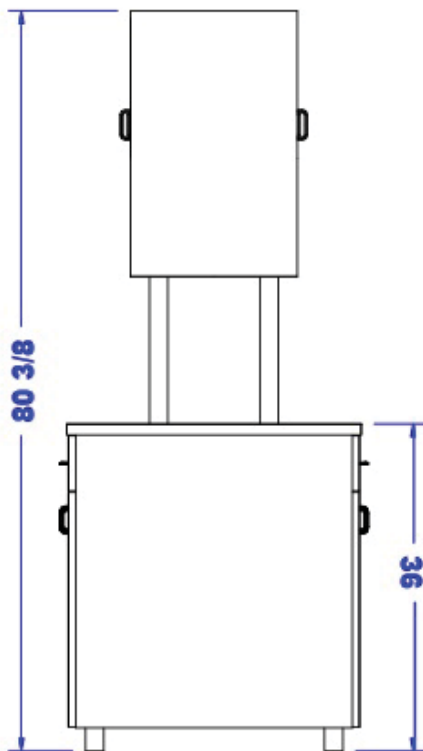
Optional Features:

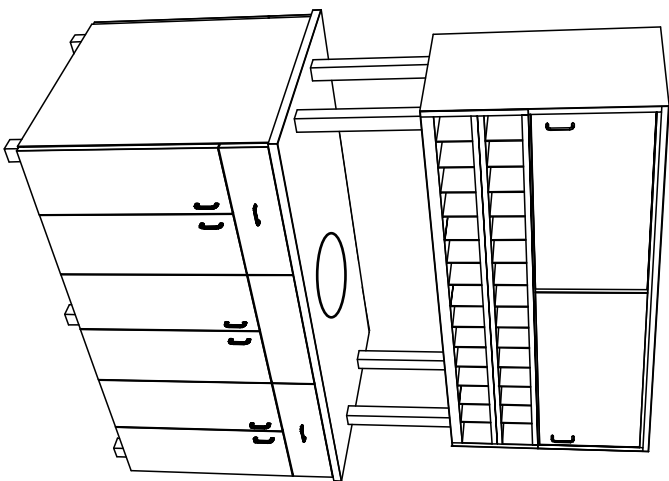
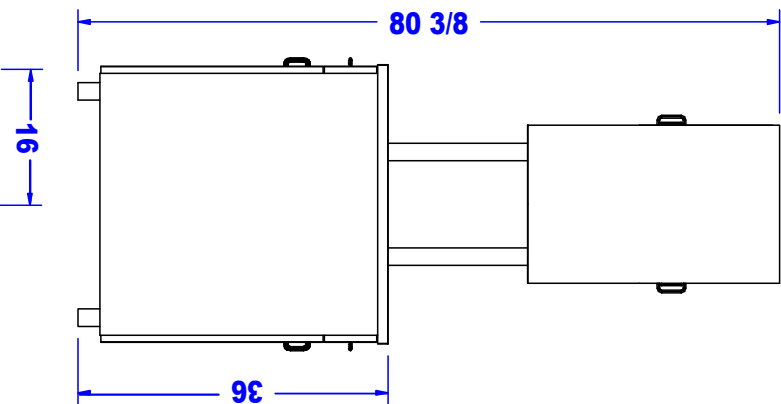
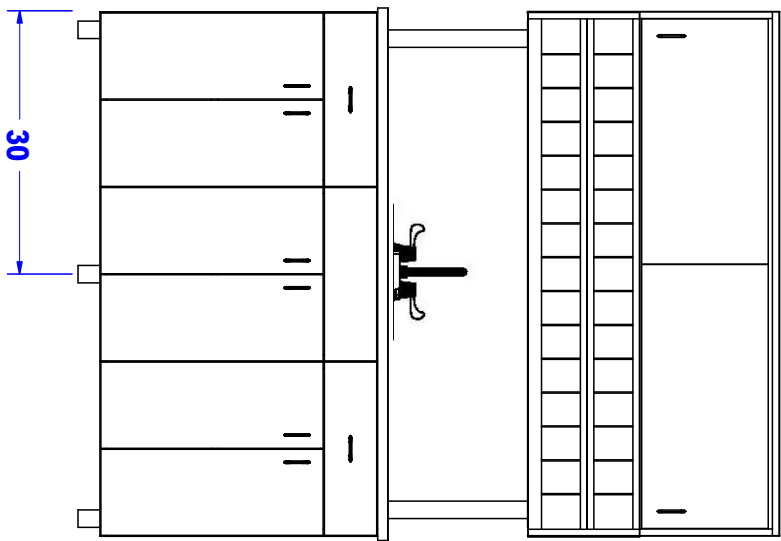
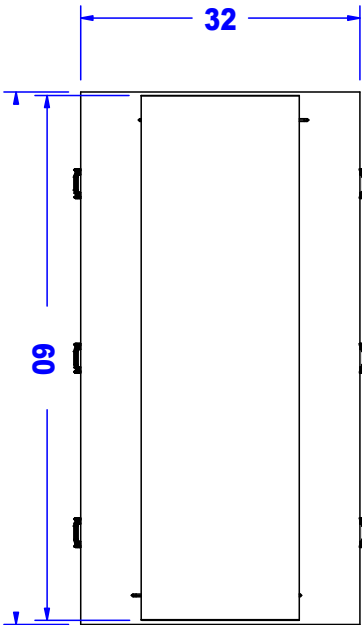
- Cam locks on doors & drawers.
-
-
-

Shipping and Assembly/Installation Information

Assembly Required:	<input checked="" type="checkbox"/> Yes	<input type="checkbox"/> No
Electrical Required:	<input type="checkbox"/> Yes	<input checked="" type="checkbox"/> No
Plumbing Required:	<input checked="" type="checkbox"/> Yes	<input type="checkbox"/> No
Ship Dimensions	32 "W x 72 "D x 50 "H	
Total Ship Weight	527 LBS	
# of Ship Pieces	Cartons	2 Skids

Additional Information:





Drain Centered in Cabinet

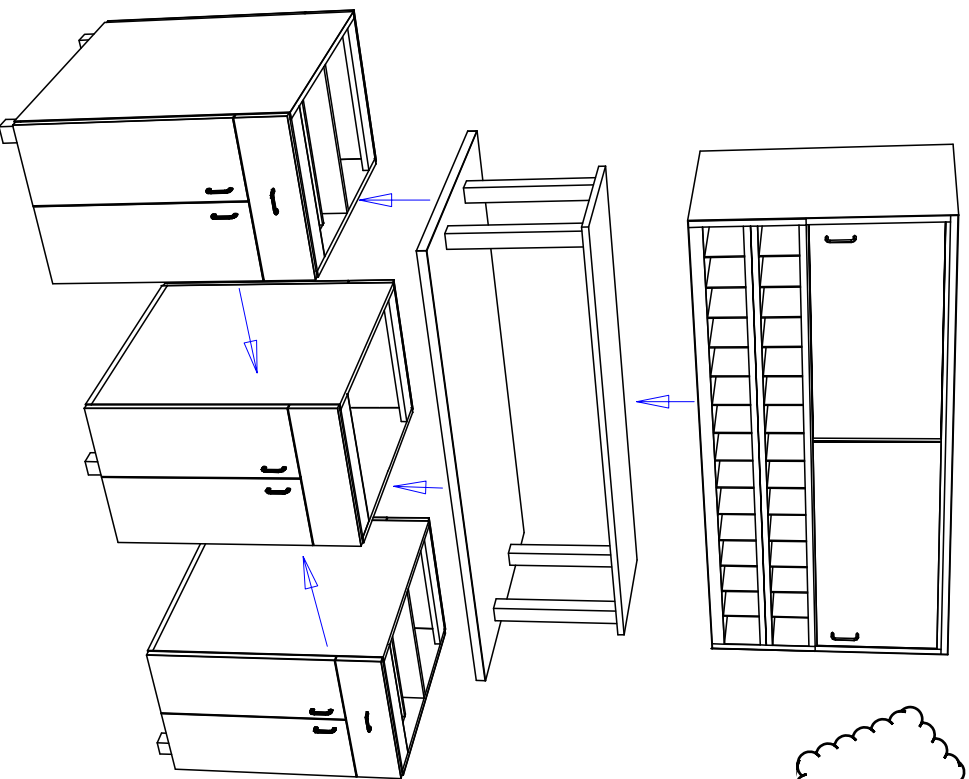
PLUMBING

Collins Collins Manufacturing
2000 Bowser Road
Cookeville, TN 38506

Title: **946-60 AMATI COLOR ISLAND**

Size: Drawing Number: Drawn By:

Date: Sheet:



Note: The Upper Portion Of This Cabinet Is Very Heavy. A Minimum Of 4 Persons Are Needed To Safely Lift This Piece Into Place.

Attach adjacent cabinets by fastening through the pre-drilled holes with the provided connector bolts. These bolts will thread into a factory installed threaded fastener or matching connector nut. The counter top is attached by screwing up through the attachment cleats (in the cabinets) with the provided wood screws.

The upper cubbies and cabinet are attached to the riser & sub-bottom by bolting up through the sub-bottom and into the embedded threaded fasteners with the decorative bolts provided.

INSTALLATION

Finish Schedule – 946-60-1

- Face Color -
- Top Color -
- Toe Color - N/A
- Reveal / Accent Color - N/A
- Hardware - Brushed Chrome Wire Pulls
- Interior - Black Melamine
- Other (Specify) - Metal - Bavarian Silver

General Notes:

1. All counter tops are to be made removable wherever possible.
2. Items must be broken into manageable sections For Shipping. Mark For Ease Of Reassembly.
3. Install Shipping Cleats Wherever Possible To Prevent Shipping Damage.
4. Purchased items Must Be Trial Fit Before Shipping.

Collins Collins Manufacturing
2000 Bowser Road
Cookeville, TN 38506

Title: **946-60 AMATI COLOR ISLAND**

Size: **NTS** Drawing Number: **69462** Drawn By: **MIKE**

Date: _____ Sheet **8 of 8**