

ONE YEAR LIMITED WARRANTY

We warrant this appliance to be free from manufacturing defects for One (1) year from date of purchase. If this appliance fails due to a manufacturing defect during the warranty period. Return appliance directly to factory. Enclose a check or money order to cover return postage and handling fees. Appliance will be repaired or replaced and returned postpaid to you.

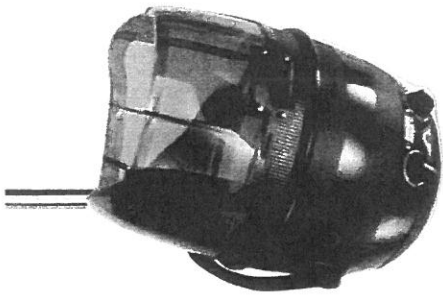
WARRANTY VOIDED: If instructions enclosed are not followed or Appliance is damaged by misuse or abuse, by tampering by Unauthorized personnel, or by use with unauthorized attachments.

LIMITATIONS: Liability under this warranty is limited to repair or replacement of the appliance as described above. This warranty does not included the inside or outside covering. Whit proper care the covering should last indefinitely. This warranty does not cover normal wear or damage, during transport. Some states do not allow the exclusion or limitation of incidental or consequential damages, so the above limitation or exclusion may not apply to you. This warranty gives you specific legal right and you may also have other rights, which vary from state to state

AFTER WARRANTY EXPIRES: For service, you may return the appliance post paid directly to the factory with a check or money order to cover any shipping and handling fees.

PIBBS INDUSTRIES
133-15 32ND AVE, FLUSHING, NY 11354
TEL (718)445-8046 TOLL FREE (800) 551-5020 FAX (718)461-3910

kwik dri **PROFESSIONAL HAIR DRYER** **MODEL No. 514 ON CASTER BASE** **MODEL No 515 ON WALL ARM** **INSTRUCTION MANUAL**



PIBBS INDUSTRIES
133-15 32ND AVE, FLUSHING, NY 11354
TEL (718)445-8046 TOLL FREE (800) 551-5020 FAX (718)461-3910

AUTOMATIC HAIR DRYER

- PROGRAM THE TIMER- Set the dryer from 0-60 minutes turning clockwise the knob (A). When the dryer has worked for the selected time, the knob returns automatically to the position "0" to turn the appliance off before the selected time reached, turn the knob to the "0" position manually during operation.
- PROGRAM THE TEMPERATURE- Set the desired Temperature has been reached, the orange light (C) goes off. See diagram B.

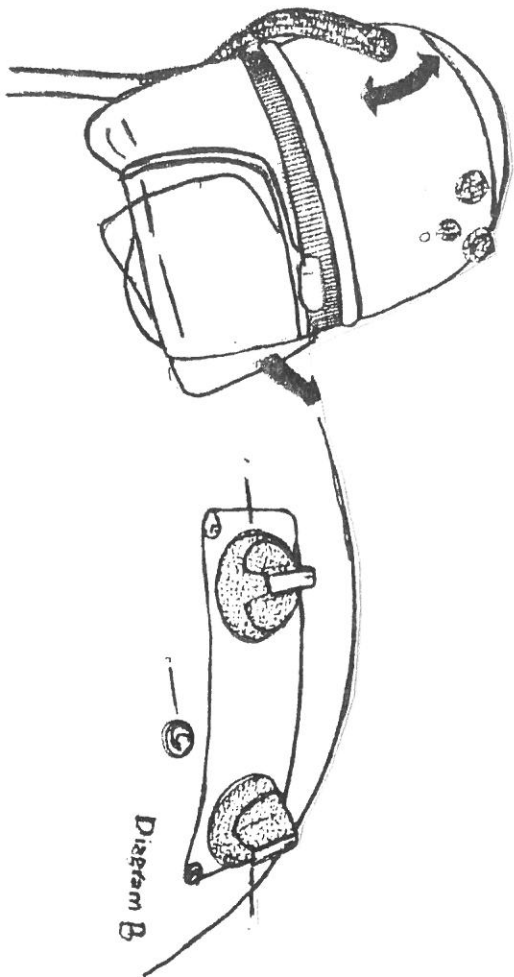
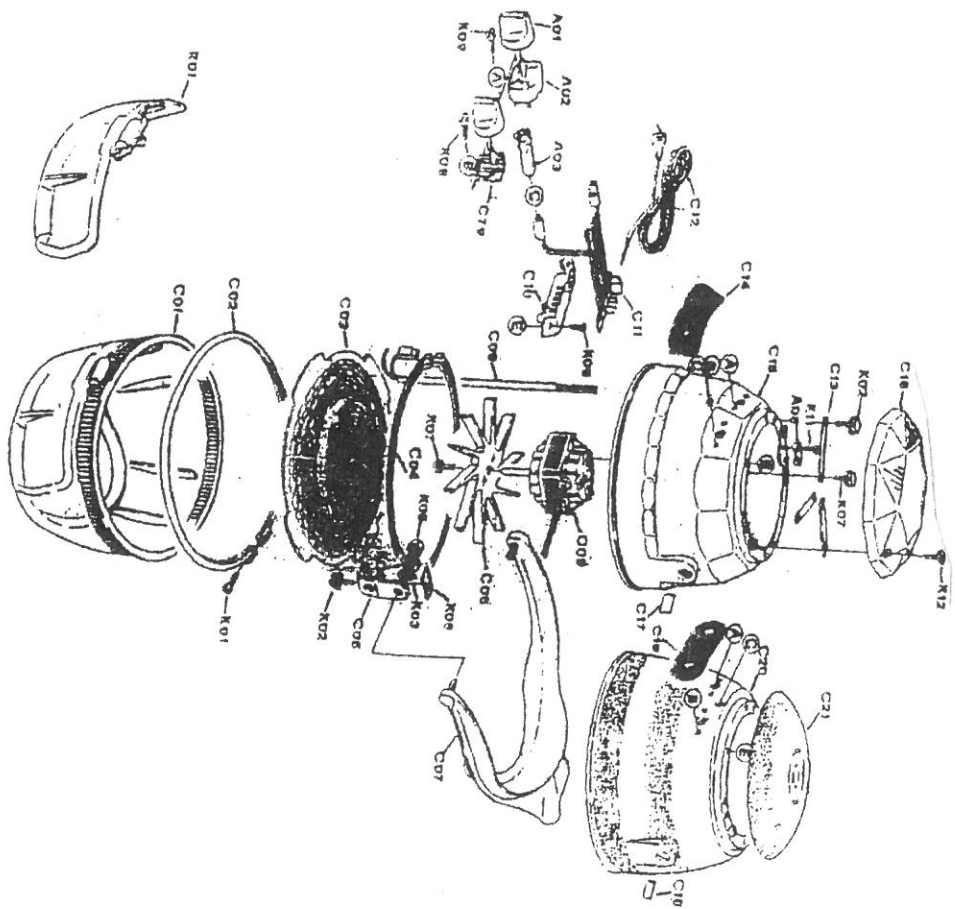


Diagram A



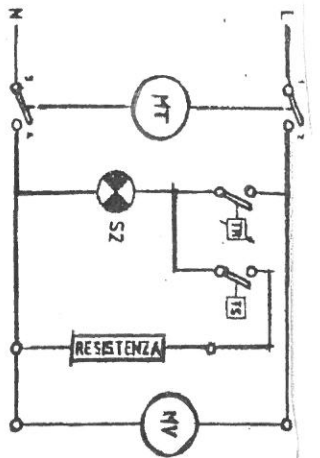
PIBBS INDUSTRIES
 133-15 32ND AVE, FLUSHING, NY 11354
 TEL (718)445-8046 TOLL FREE (800) 551-5020 FAX (718)461-3910

PIBBS INDUSTRIES
 133-15 32ND AVE, FLUSHING, NY 11354
 TEL (718)445-8046 TOLL FREE (800) 551-5020 FAX (718)461-3910

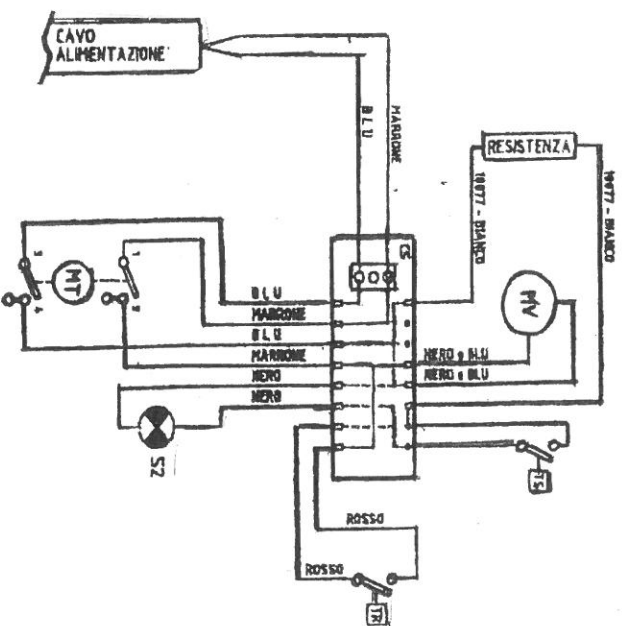
CONGRATULATIONS! You have chosen a carefully designed quality hair dryer and one of the most efficient tools available in the market. It is the perfect instrument for an accurate, fast and delicate performance, even for the elaborate of hairstyles.

GENERAL WARNINGS

- Identify instructions, and review the parts list. Make sure, when unpacking your Hair dryer, that there has been no damage during shipping. If there has been Damage, record it immediately, and contact your shipper and Pibbs Industries.
- Before plugging in the hair dryer, check the date reported on the label (required voltage and power). Make sure they correspond to the outlet.
- Mount your hair dryer either on its base, or on the wall, depending on the model. You have purchased, and following the appropriate directions carefully, before Connecting the power.
- Never cover the top of the appliance with fabric or other material, as that would Compromise the proper cooling procedures for the machine.
- The manufacture is not responsible for damage to people or things when the appliance is installed in disregard of these instructions, by non-professional or certified personnel, or with supports and / or accessories not supplied by the company.
- When the hair dryer is mounted on the wall, the company is not responsible for damage caused by unsuitable of the wall or of other material used.
- Should you need to substitute the electrical cord, you must call only specialized and authorized personnel.



LEGENDA
 MT - MOTORE
 MV - VENTILATORE
 TR - THERMOSTATO DI REGOLAZIONE
 TS - THERMOSTATO DI SICUREZZA
 SZ - SPINA DI RACCOMANDA
 CS - CINGHIO STAMPATO CON CAVETTI



PIBBS INDUSTRIES
 133-15 32ND AVE, FLUSHING, NY 11354
 TEL (718)445-8046 TOLL FREE (800) 551-5020 FAX (718)461-3910

PIBBS INDUSTRIES
 133-15 32ND AVE, FLUSHING, NY 11354
 TEL (718)445-8046 TOLL FREE (800) 551-5020 FAX (718)461-3910

INDEX

GENERAL WARNINGS	PAGE 3
INSTRUCTIONS FOR USE	PAGE 4
FLOOR BASE INSTRUCTION	PAGE 5
WALL ARM INSTRUCTION	PAGE 6
SCHEMATICS	PAGE 8
IMPORTANT WARNING PAGE	PAGE 10
LIMITED WARRANTY	PAGE 11

WARNING

WE AT PIBBS INDUSTRIES THANK YOU FOR YOUR ORDER OF ONE OF OUR PROFESSIONAL HAIR DRYERS. YOU HAVE ORDERED AN EXCELLENT, HIGH PERFORMANCE HAIR DRYER. PLEASE BE AWARE THAT THIS IS NOT AN "AIR CONDITIONED" TYPE DRYER WITH GENTLE AIR CIRCULATION. THIS DRYER HAS A POWERFUL TOP MOUNT MOTOR AND FAN, WHICH CIRCULATES THE AIR WITHIN THE HOOD, AND AS A RESULT, DRAWING LOOSE HAIR BACK UP AND INTO THE FAN. THEREFORE, THIS DRYER MUST BE USED WITH A HAIR NET WHEN WORKING WITH LOOSE OR LONG HAIR THAT IS NOT PINNED, AS IN A ROLLER SET. IT CAN ALSO BE USED AS A SOURCE OF HEAT TO ENHANCE CHEMICAL PROCESSES, WHERE THE HAIR IS COVERED WITH PLASTIC OR FOIL.

WE ARE NOT RESPONSIBLE FOR THE MISUSE OF THIS PRODUCT.

PIBBS INDUSTRIES
133-15 32ND AVE, FLUSHING, NY 11354
TEL (718)445-8046 TOLL FREE (800) 551-5020 FAX (718)461-3910

PIBBS INDUSTRIES
133-15 32ND AVE, FLUSHING, NY 11354
TEL (718)445-8046 TOLL FREE (800) 551-5020 FAX (718)461-3910

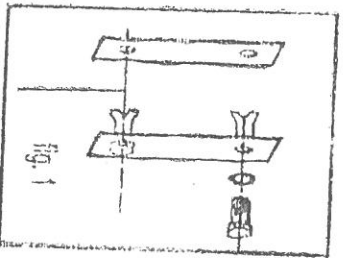
MODEL 515 WALL ARM INSTRUCTIONS

Parts list

- | | |
|-------------------------------|-------------------------|
| 1pc. Pibbs Wall Arm | 1pc. Paper Template |
| 1pc. Tommy Pin | 2pc. Threaded rag pipes |
| 1pc. Chrome Plated Spacer arm | with bolts and washers |

FITTING THE PIBBS WALL ARM

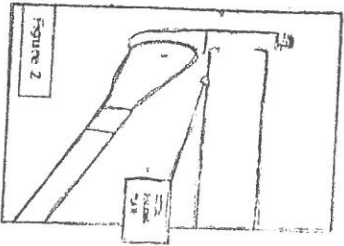
1. Hold the paper template against the wall, making sure the holes are perfectly vertically lined up. The lower hole on the template must be 6 1/2 feet above floor level. Using the template as your guide, mark the holes on the wall where the wall is to be mounted.
 2. If you do not have a cement or concrete wall, make sure the wall has enough strength to hold the wall arm such as a 4"x4" beam. With the hardware we supply you, attach the arm to the beam.
- If you have a cement wall proceed with step 3 and 4



3. After 4 or 5 hours, you can proceed to fit the wall arm.
NOTE if ordinary cement is used you must wait 2 or 3 days before fitting the arm.

4. Fit a power outlet (110 volt/ 60 Hz) to the wall no less than 4 inches from the Rag pipe.

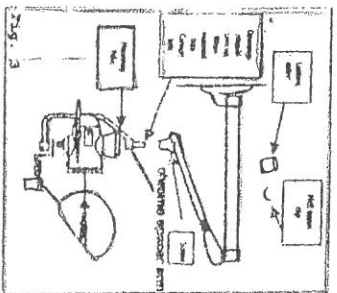
IMPORTANT: For transportation purpose, and to facilitate fitting, the elbow of the arm will be fixed (Kept in place) by means of a small plate held in place by tension. See fig. 2



Leave this plate in position until the arm has been fixed onto the wall and the head part of the appliance is to be attached to it. This will prevent any injury to the operator, and/or damage to the arm. At this time you can remove the plate by pulling down on to the front part of the arm, this will release tension on the plate and make it easier to pull the plate out of the elbow connection after you remove the screws.

5. Fit the base of the wall arm so that the holes line up with the thread rag Pipes on the wall

6. Screw the wall to the wall with the two bolts and washers and tighten them.
 - If you use the rag pipes, you have to pre drill two holes 3/8"
 - Them insert the rag pipe into the predrilled holes & line up the wall arm.
 - If you see the 3/8" wood bolts, you should pre drill holes smaller than 3/8" then proceed to screw on the two bolts and washer and tighten.



FITTING YOUR APPLIANCE TO THE WALL ARM

Remove the screw on the Carrier Bolt

Put the locking Collar onto the Carrier Bolt

Take the mounting Yoke attached to the dryer and insert it into the Carrier Bolt.

Line up the opening as indicated in fig. 3. So that the Half Moon clip can fit in.

Secure the clip by lowering the locking collar.

Reinsert and tighten the screw.

Press on the plastic cap (if applicable)
Remove the small metal plate as previously described.

Check that the appliance and the arm move freely.

Connect the power supply and fit the plug into the socket of the appliance, then insert the supply plug into power outlet previously fitted on to the wall.

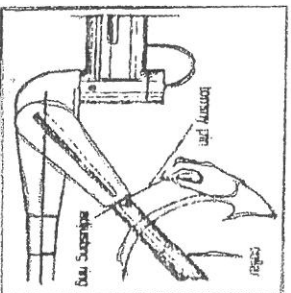
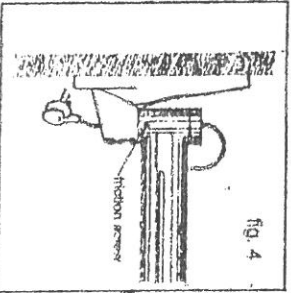
ADJUSTING THE ARM

The Pibbs wall arm is shipped with a setting to the weight of the appliance shipped with it.

If the arm will not stay in the desired setting (e.g. if the appliance tends to drop or will not stay down). You can adjust the pressure of the internal spring as follows: hold the front end of the arm up as much as possible. Insert the the tommy pin provided in one of the holes in the adjusting ring and turn the ring from left to right to increase the spring pressure and vice versa to decrease the pressure.

To adjust the freedom of the arm movement either tighten or loosen, depending on the desired effect, the friction screw slightly.

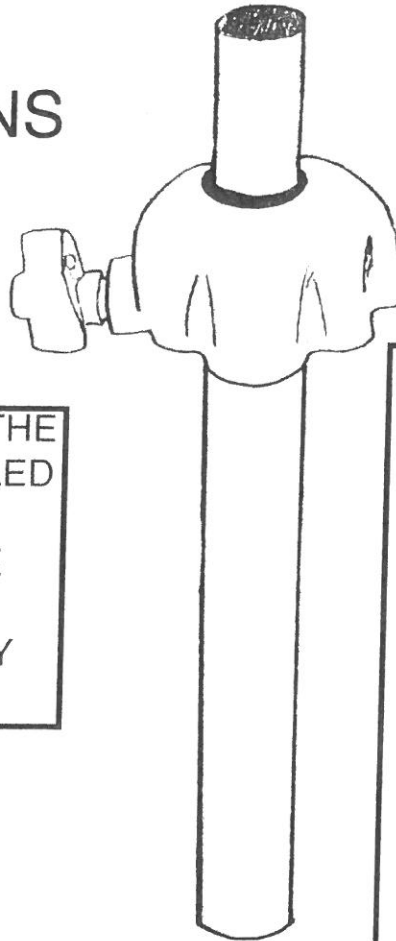
Do not make the movement of the arm too stiff. See fig.5





7079/7080/7081 STAND

ASSEMBLY INSTRUCTIONS



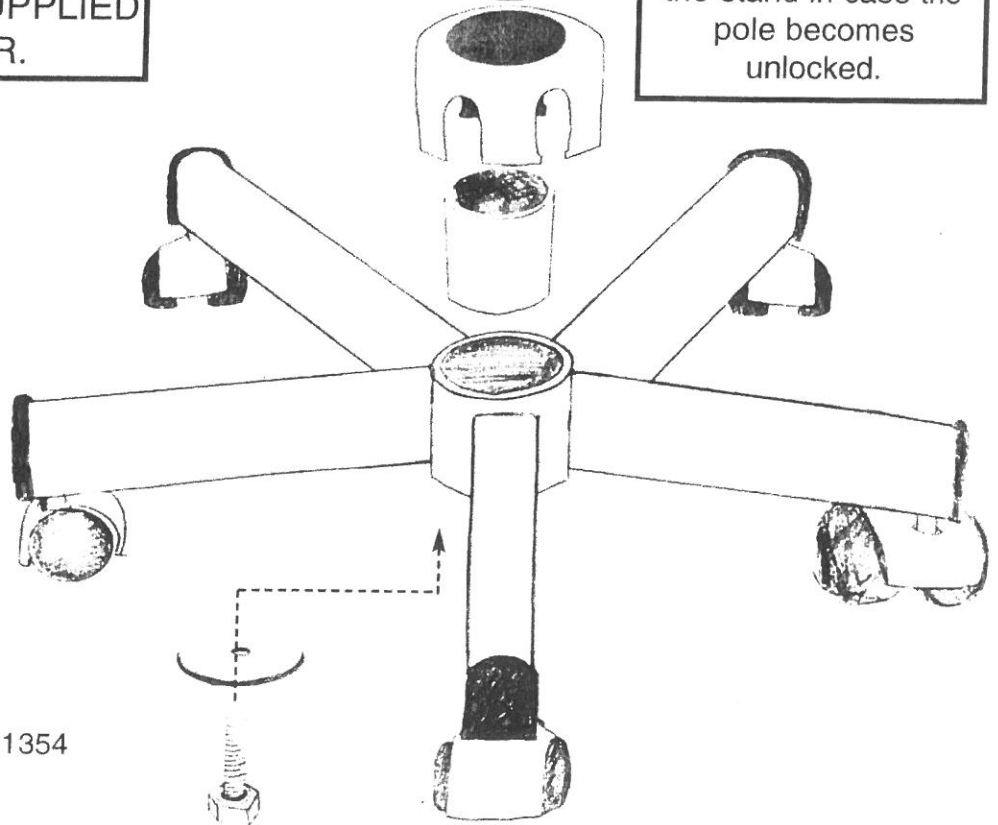
IMPORTANT NOTE: DO NOT LOOSEN THE LOCK NUT UNTIL YOU HAVE ASSEMBLED THE STAND AND PLACED THE APPLIANCE ONTO THE TOP OF THE STAND (INNER POLE). FAILURE TO FOLLOW THESE INSTRUCTIONS MAY LEAD TO SERIOUS INJURY.

***AFTER INITIAL ASSEMBLY OF THE STAND, BE SURE TO SECURE THE ENTIRE STAND ASSEMBLY WITH THE SUPPLIED BOLT AND WASHER.**



DANGER

The inner pole of this stand assembly is spring loaded. Great care should be taken to keep your head away from the top of the stand in case the pole becomes unlocked.



Pibbs Industries

133-15 32nd Avenue Flushing, NY11354

Tel.(718)445-8046

(800)551-5020

Fax(718)461-3910

Placement of hood over client reccomendation

