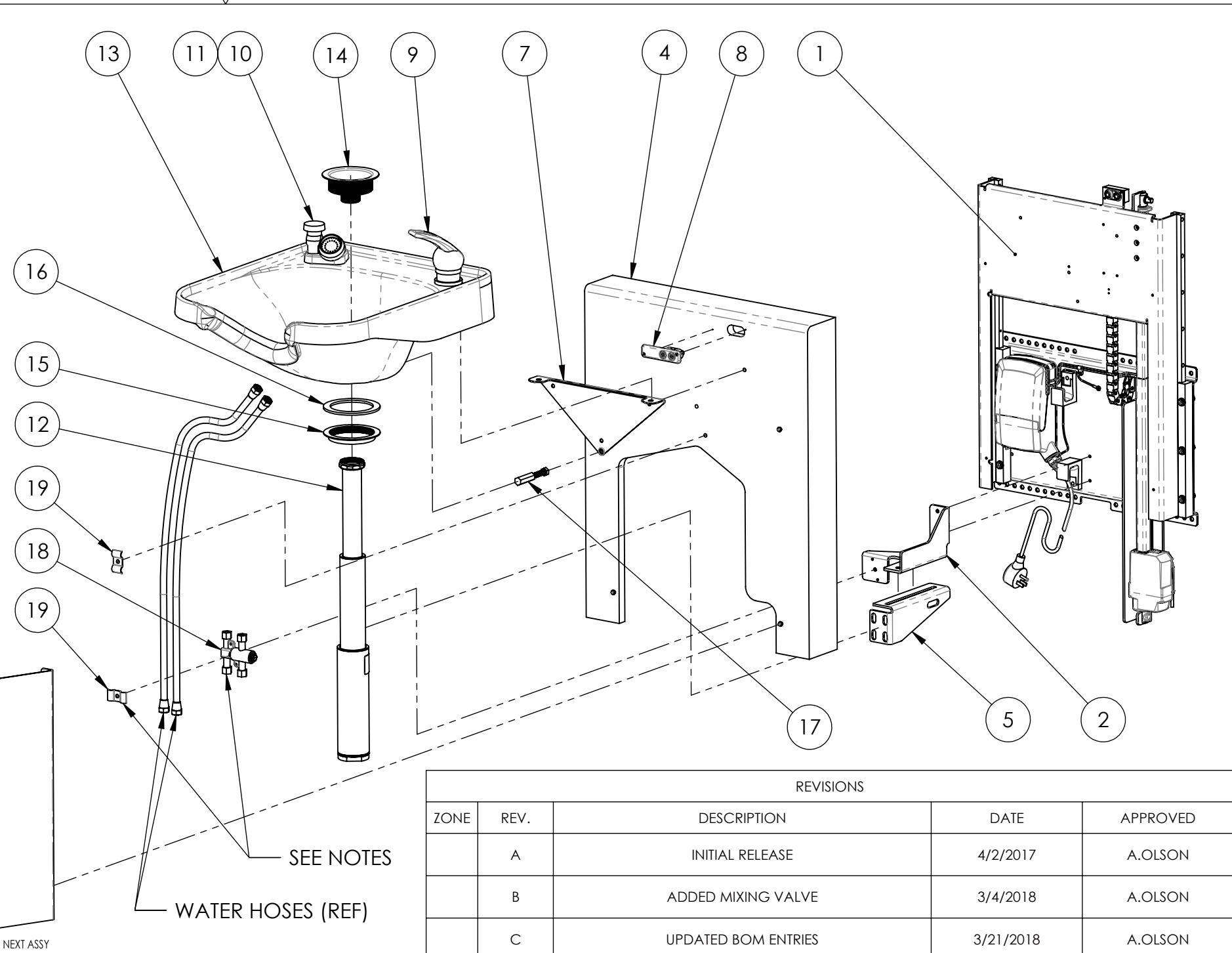
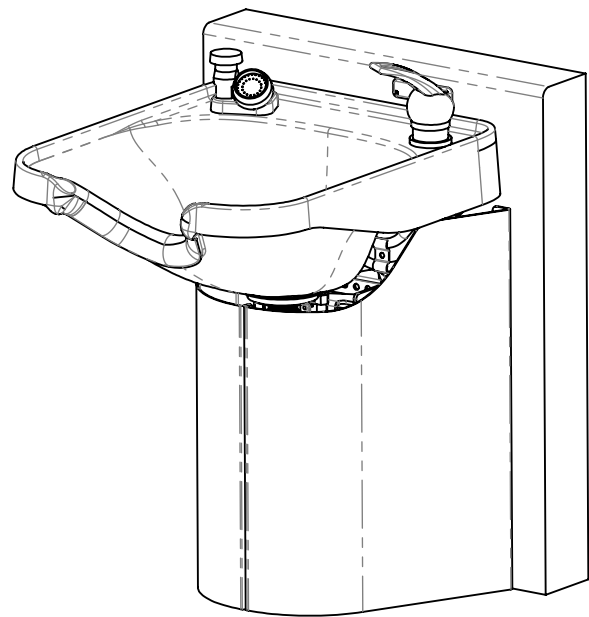
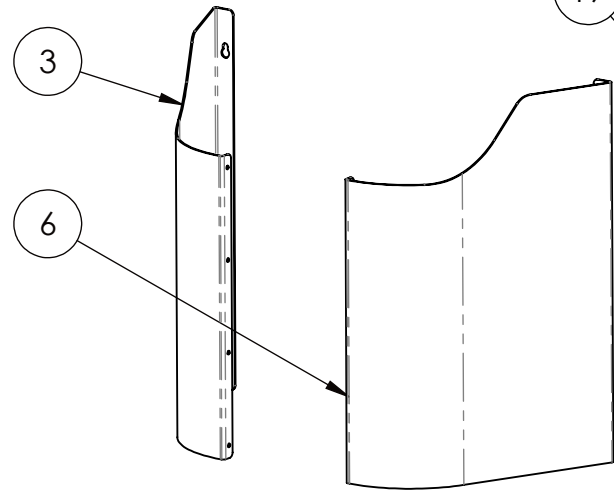


ITEM	QTY	FILE NUMBER	TITLE
1	1	40550	LIFT UNIT - E140
2	1	40340	DRAIN SUPPORT BRACKET
3	1	40360	SHROUD - LH
4	1	40420	FRONT PANEL
5	1	40460	DRAIN CLAMP BRACKET
6	1	40480	SHROUD - RH
7	1	40540	SINK BRACKET
8	1	40560	CONTROL ASSEMBLY
9	1	K100-83-1	FAUCET
10	1	K100-83-2	VACUUM BREAKER
11	1	K100-83-5	SPRAY HOSE
12	1	T1514	TELESCOPING DRAIN - MODEL T1514
13	1	MODEL 3050	SHAMPOO SINK - MODEL 3050
14	1	20260	SINK BASKET STRAINER
15	1	BASKET STRAINER NUT	BASKET STRAINER NUT (REF)
16	1	BASKET STRAINER GASKET	BASKET STRAINER GASKET (REF)
17	1	LEVELING BOLT	LEVELING BOLT (REF)
18	1	MIXING VALVE	MIXING VALVE (REF)
19	2	WATER HOSE CLAMP	WATER HOSE CLAMP (REF)



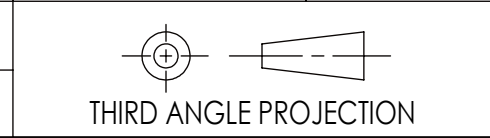
NOTES:
 1. LOWER ITEM 19 (CLAMP) INDICATED CAN BE USED IF ITEM 18 OPTION (MIXING VALVE) IS NOT SELECTED



REVISIONS				
ZONE	REV.	DESCRIPTION	DATE	APPROVED
	A	INITIAL RELEASE	4/2/2017	A.OLSON
	B	ADDED MIXING VALVE	3/4/2018	A.OLSON
	C	UPDATED BOM ENTRIES	3/21/2018	A.OLSON

MM(INCH) 25.4MM=1 INCH	
TOLERANCES EXCEPT AS NOTED	
MM	INCHES
	.0 ± .1
	.00 ± .01
	.000 ± .005
ANGLES ± 0.5°	
MATERIAL	
FINISH	

DRAFTER AJW	DATE 04-02-17
DESIGNER A.OLSON	DATE 03-12-17
CHECKER	DATE
CUSTOMER APPROVAL	DATE



ACCESSIBLE SYSTEMS, INC.
 9917 13TH AVENUE NORTH - MPLS, MN 55441 PHONE: 612 . 238 . 4600

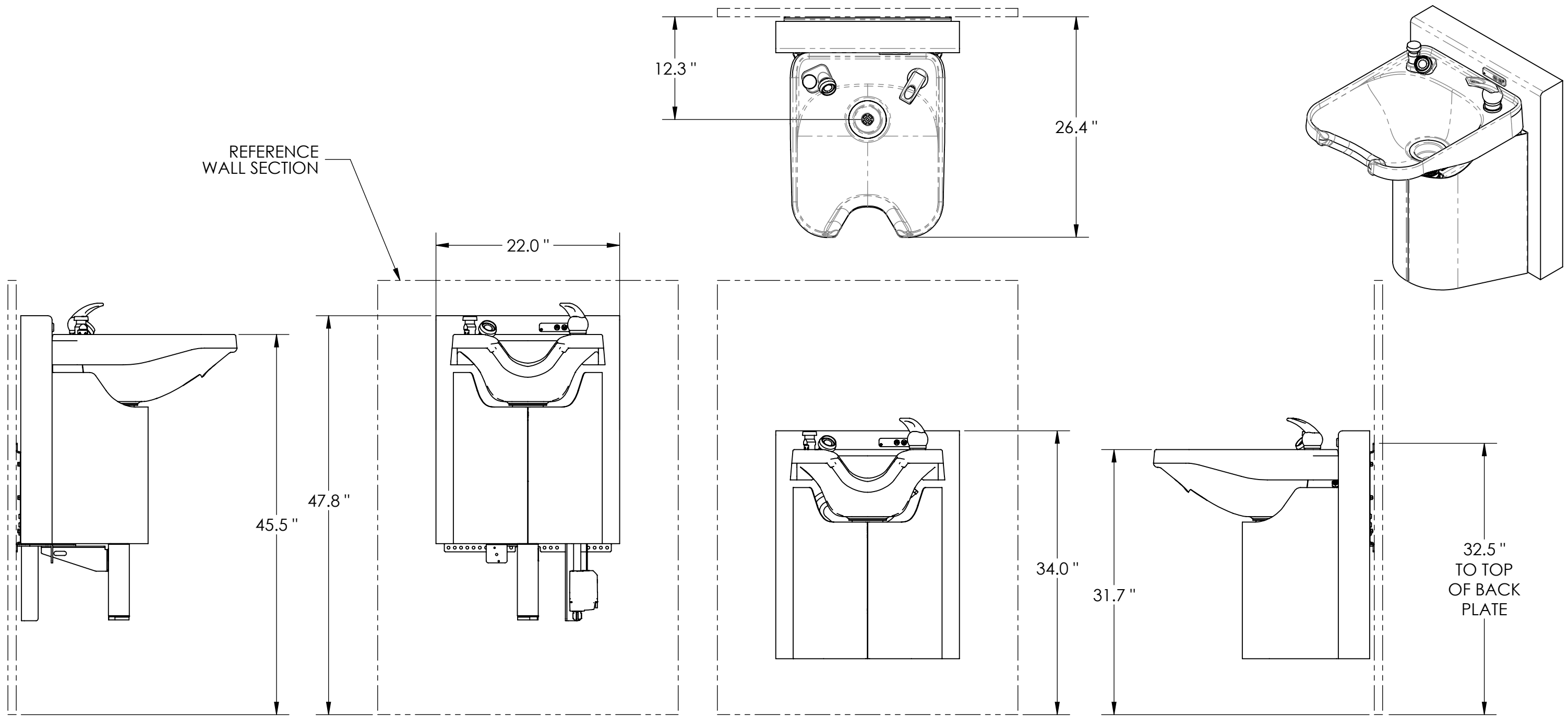
TITLE
TELESCOPING DRAIN - AUTO

PROPRIETARY AND CONFIDENTIAL
 The information contained in this drawing is sole propriety of Accessible Systems, Inc. Any reproduction in whole or in part without written permission is strictly prohibited.

SIZE **B** DRAWING NO. **E140**

DO NOT SCALE DRAWING WWW.ADJUSTASINK.COM 1 OF 3

DRAWING NO.
E140



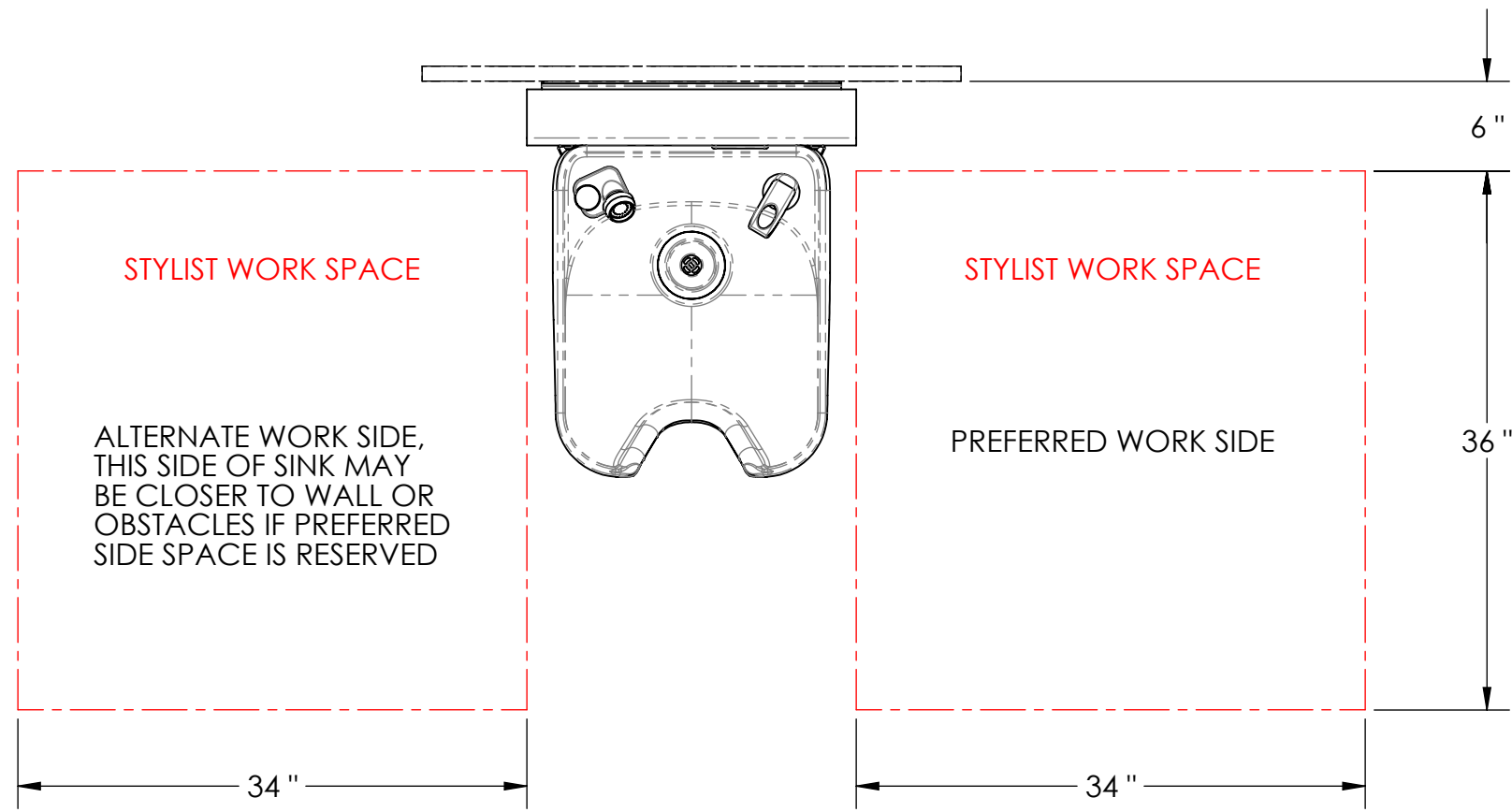
NEXT ASSY

MM(INCH) 25.4MM=1 INCH	
TOLERANCES EXCEPT AS NOTED	
MM	INCHES
X	.0 ± .1
X	.00 ± .01
X	.000 ± .005
ANGLES ± 0.5°	
MATERIAL	
FINISH	

DRAFTER AJW	DATE 04-02-17
DESIGNER A.OLSON	DATE 03-12-17
CHECKER	DATE
CUSTOMER APPROVAL	DATE

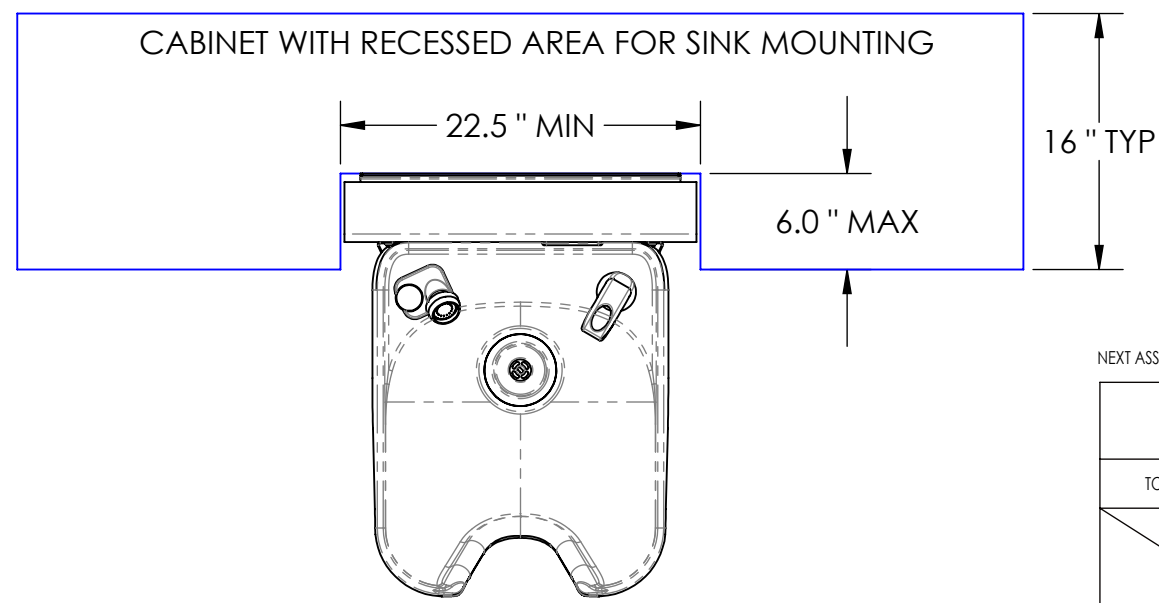
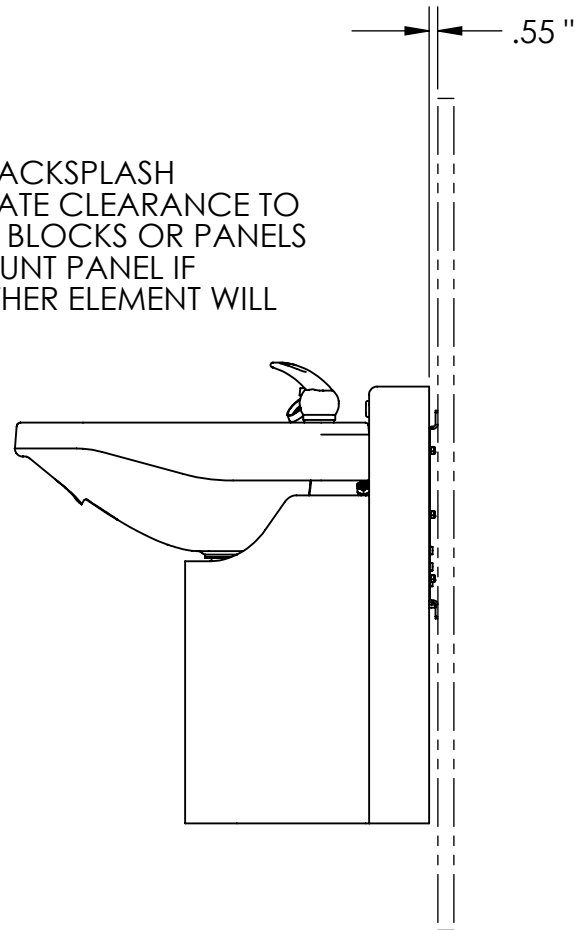
THIRD ANGLE PROJECTION

ACCESSIBLE SYSTEMS, INC.		
9917 13TH AVENUE NORTH - MPLS, MN 55441 PHONE: 612 . 238 . 4600		
TITLE TELESCOPING DRAIN - AUTO		
PROPRIETARY AND CONFIDENTIAL The information contained in this drawing is sole propriety of Accessible Systems, Inc. Any reproduction in whole or in part without written permission is strictly prohibited.		
SIZE B	DRAWING NO. E140	
DO NOT SCALE DRAWING	WWW.ADJUSTASINK.COM	2 OF 3



RESERVE WORK SPACE FOR SYLIST IN SALON PLAN. IF MULTIPLE SINKS ARE BEING INSTALLED ALONG THE SAME WALL, SPACE AT 54 " OR GREATER ON CENTER

THE ADJUSTABLE BACKSPLASH REQUIRES ADEQUATE CLEARANCE TO LIFT, ADD SPACER BLOCKS OR PANELS BEHIND WALL MOUNT PANEL IF TRIMWORK OR OTHER ELEMENT WILL INTERFERE.

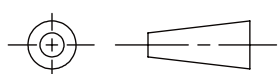


THE ADJUST-A-SINK MAY BE MOUNTED FLUSH TO A WALL OR FRONT FACE OF CABINETS. THE UNIT MAY ALSO BE RECESSED FROM CABINET FACE BY A MAXIMUM OF 6 "

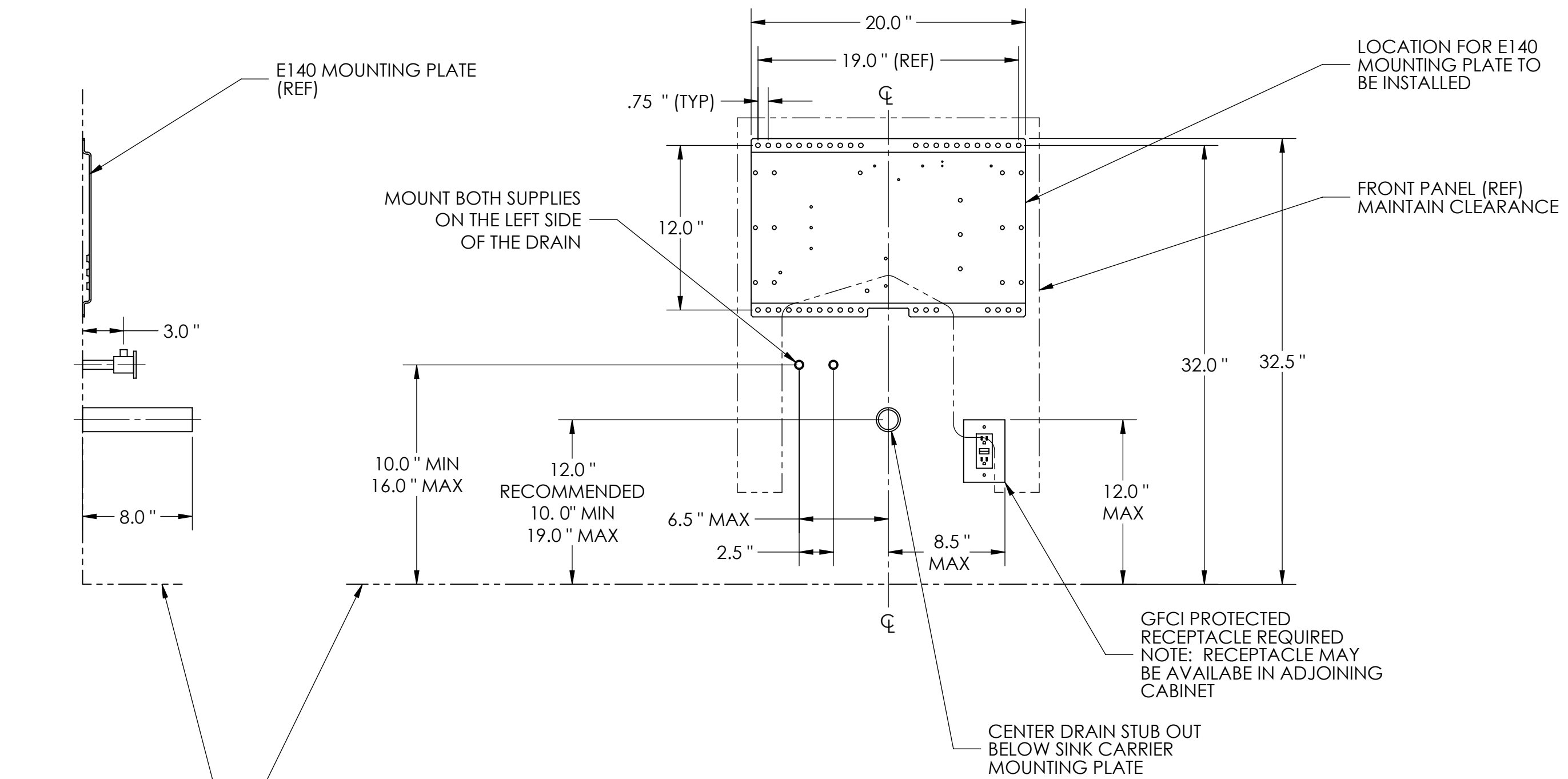
NEXT ASSY

MM(INCH) 25.4MM=1 INCH	
TOLERANCES EXCEPT AS NOTED	
MM	INCHES
X	.0 ± .1
X	.00 ± .01
X	.000 ± .005
ANGLES ± 0.5°	
MATERIAL	
FINISH	

DRAFTER AJW	DATE 04-02-17
DESIGNER A.OLSON	DATE 03-12-17
CHECKER	DATE
CUSTOMER APPROVAL	DATE


 THIRD ANGLE PROJECTION

ACCESSIBLE SYSTEMS, INC.		
9917 13TH AVENUE NORTH - MPLS, MN 55441 PHONE: 612 . 238 . 4600		
TITLE TELESCOPING DRAIN - AUTO		
PROPRIETARY AND CONFIDENTIAL The information contained in this drawing is sole propriety of Accessible Systems, Inc. Any reproduction in whole or in part without written permission is strictly prohibited.		
SIZE B	DRAWING NO. E140	
DO NOT SCALE DRAWING	WWW.ADJUSTASINK.COM	3 OF 3



NEXT ASSY

MM(INCH) 25.4MM=1 INCH	
TOLERANCES EXCEPT AS NOTED	
MM	INCHES
X	.0 ± .1
X	.00 ± .01
X	.000 ± .005
ANGLES ± 0.5°	
MATERIAL	
FINISH	

DRAFTER AJW	DATE 04-02-17
DESIGNER A.OLSON	DATE 03-12-17
CHECKER	DATE
CUSTOMER APPROVAL	DATE

THIRD ANGLE PROJECTION

ACCESSIBLE SYSTEMS, INC.		
9917 13TH AVENUE NORTH - MPLS, MN 55441 PHONE: 612 . 238 . 4600		
TITLE E140 ROUGH-IN		
PROPRIETARY AND CONFIDENTIAL The information contained in this drawing is sole propriety of Accessible Systems, Inc. Any reproduction in whole or in part without written permission is strictly prohibited.		
SIZE B	DRAWING NO. E140	
DO NOT SCALE DRAWING	WWW.ADJUSTASINK.COM	4 OF 4