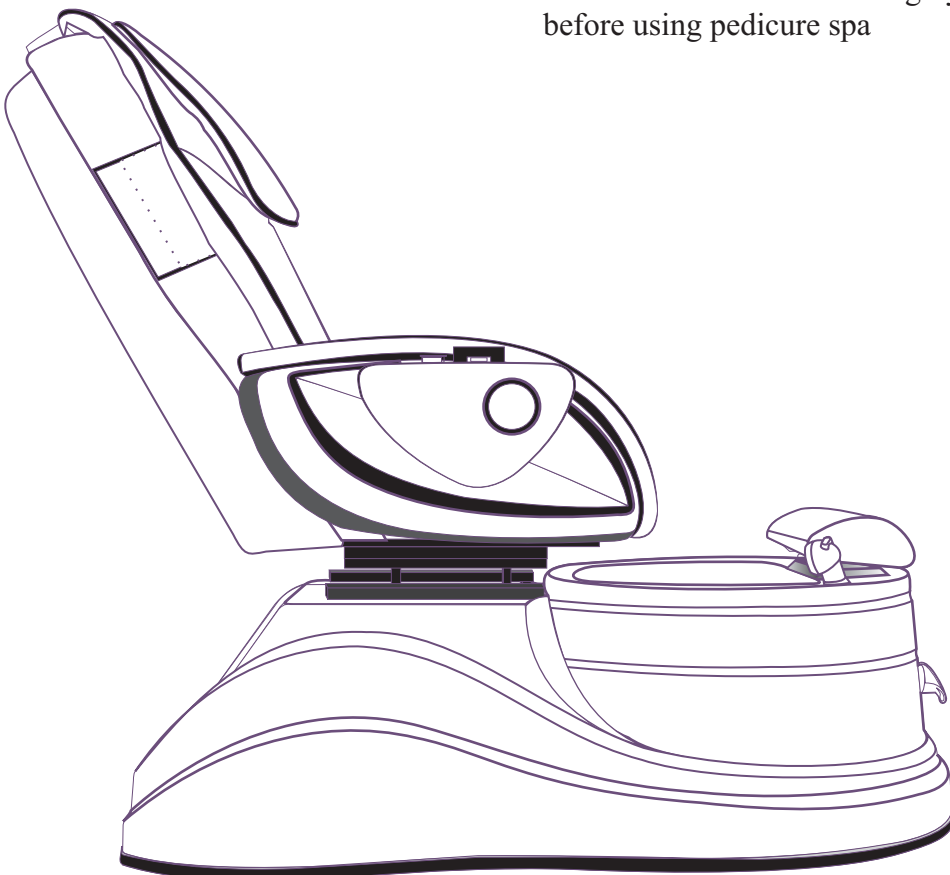
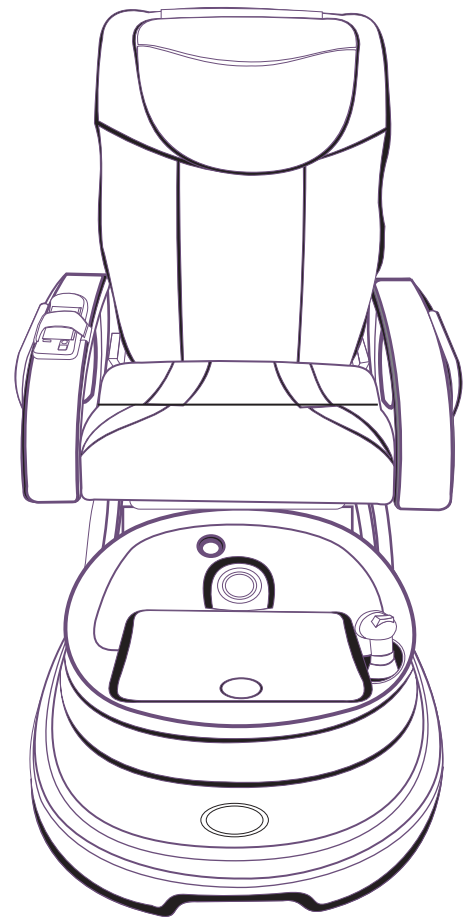


PACIFIC WHIRLPOOL SPA



User's Manual

Please read user's Manual thoroughly
before using pedicure spa



Copyright 2010 by J&A USA
Printed in USA

Table of Contents

Table of Contents

Introduction & Safety

Identify Parts & Description

Consideration

Specification

Summary

Dimension

Idrain Connection

Safety and Maintenance (Dura-Jet)

Safety and Maintenance (Magnetic - Jet)

How to use Magnetic Jet

Discharge Pump

Chair / Backrest attachment

Remote Control Function

Disinfecting Pedicure spa

User Recommendations

UL Certificate

Back Flow Prevention Device (Dual Check valve)

Limited Warranty



Introduction

Thank you for choosing Pacific Pedicure Spa , This finest Whirlpool Pedicure Spa has been develop and Manufactured by J&A USA Inc., to bring quality and exquisitely balanced design yet afford-ability and dependability when properly use. Please read this entire manual thoroughly before installation and use

PLEASE TAKE TIME TO READ THIS MANUAL THOROUGHLY BEFORE USE. If you have any questions or concerning with our pedicure spa, Please contact our customer service and technical support at 631-243-3336 ext 121, Monday through Friday 9AM – 5PM or email us at www.info@jausainc.com

Important requirements

The MFG requires that you contact your local, licensed plumber and licensed electrician to install your new spa. Installation MUST be in compliance with all local and state building codes. Your pedicure spa can not operate efficiently or safely unless it is provided with adequate electrical power, sufficient water pressure, proper water temperature, and required drainage capabilities. Contact your local building inspector for information and local code compliance procedure that need to be followed when having your new pedicure spa installed. Subsequent inspections and approvals that may be required are the responsibility of the purchaser.

Shipment Inspection

Examine the components immediately upon arrival to make sure no damages to the pedicure spa base and chair during the shipment. It is very important that you notify the driver directly and notation should be on the face of the freight bill or bill of lading of any damage. Failure to note damage on the bill of lading may prevent any claims you may have against the carrier.

If concealed or damage is found, you MUST notify the carrier at once and request an inspection. **DO NOT DISCARD THE SHIPPING CARTON** If receiver sign the carrier clean receipt of goods that have been damaged in transit .Do so at your own risk and expense.

Precaution

- Do not stand in the basin of the spa.
- Excessive water temperature is dangerous and should be checked before use. Maximum water Temperature should not exceed 100F (38C).
- Always enter and exit the spa slowly and carefully.
- Never bring or operate any electrical device near pedicure spa.
- The unit has a weight capacity of 250 pounds.

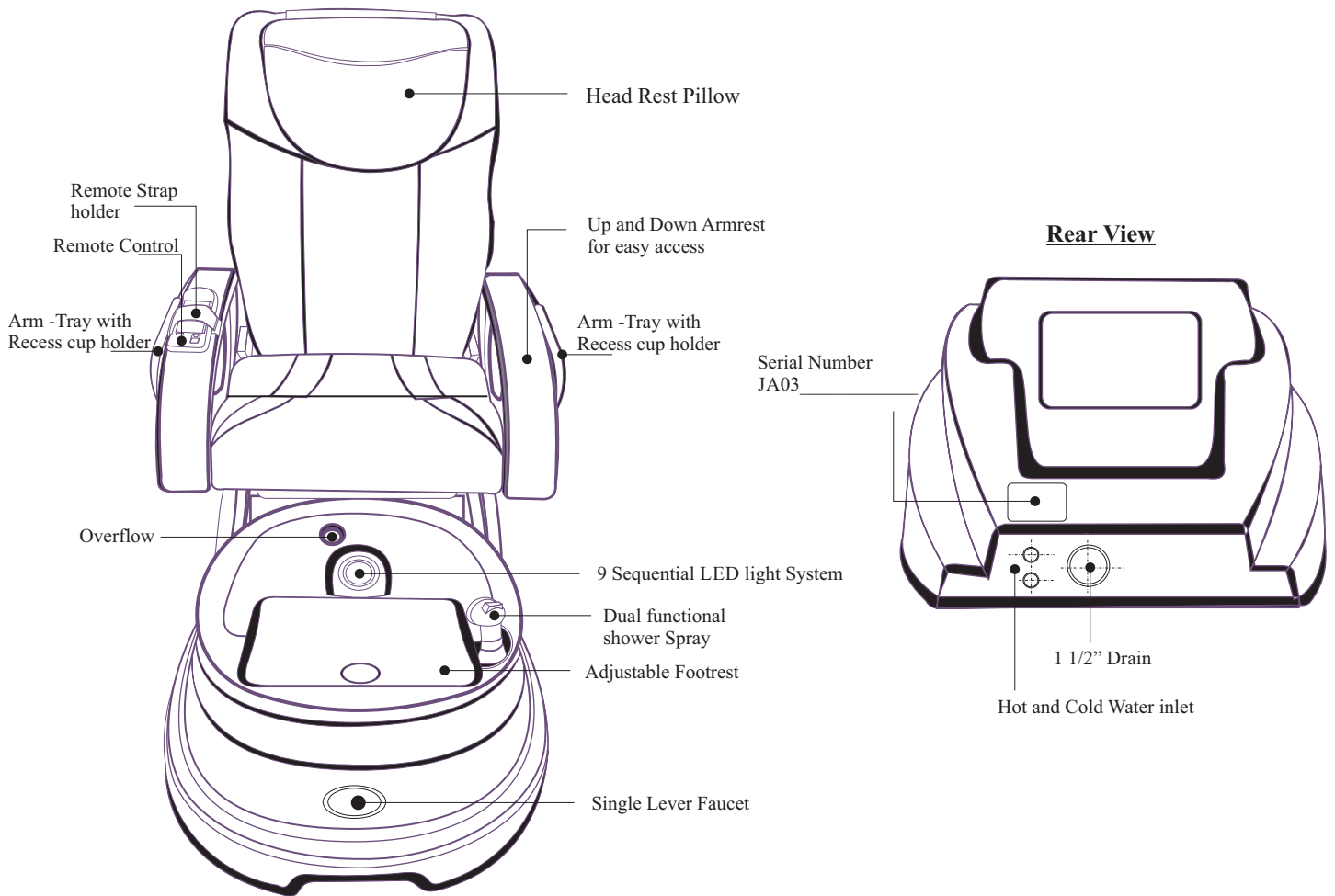
Health Warning

Individuals whose feet or legs are inflamed or have open wounds should not be allowed to use the pedicure spa at any time. The technician should advise clients to consult their physician before using the spa if there is any sign of fungal infection, swelling, fracture, or persistent pain. In some cases diabetics may experience improved circulation in their feet, but should first consult their physician prior to receiving a pedicure.

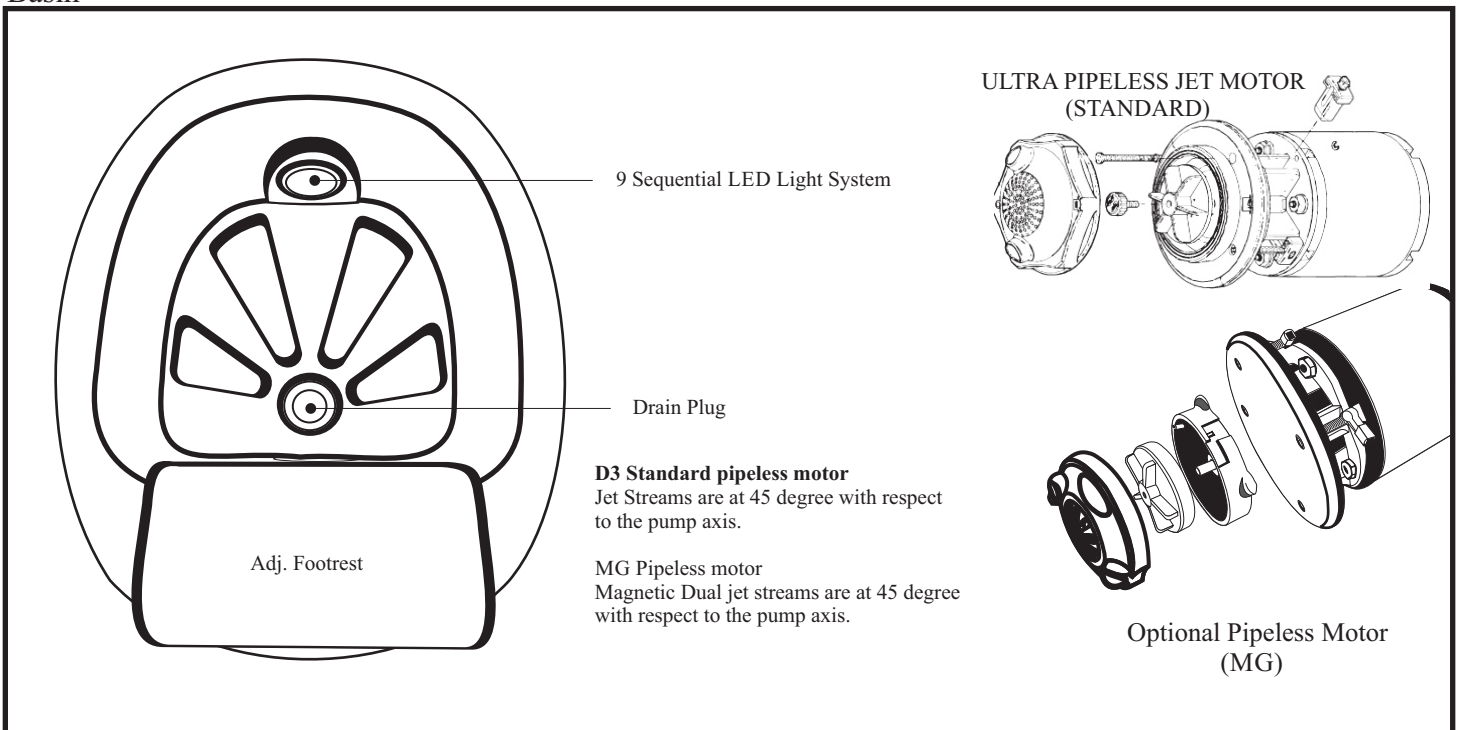
If the client experiences any pain or discomfort, discontinue the use of the pedicure spa immediately.

Pacific

Identification



Basin



Important Considerations

Electrical Service

110V, 60Hz, 15Amp GFCI protected grounded circuit **MUST** be used to supply power each individual pedicure spa. And the main circuit breaker **MUST** be at 25Amp. For maximum of two units per each electrical outlet.

Water Supply

All plumbing connections must conform to local codes.

Water supply to the spa should be provided with adequate water pressure and water temperature.

Water pressure

To fill the basin correctly up to level, Normal water pressure of 30 to 80 P.S.I is required.

Water temperature

The hot water supply temperature must not exceed 140°. Adjust your hot water accordingly. For hot and cold water supply fittings and drain fittings location, see below diagram .Carefully connect the water supply line to the appropriate fittings located on the rear of the pedicure spa.

Pressure / Temperature

Maximum Pressure: 150 psi (10 bars)

Minimum Pressure: 10 psi (69kPa)

Working Temperature: 33F to 140F constant; intermittent to 180f

(0.6C to 60C sustained; intermittent to 82.2C)

Recommended Flow: 1.5gpm .

UL LISTED / CE CERTIFIED

Compliance with following Code (s): Uniform Plumbing Code, National Plumbing Code of Canada and international Plumbing Code. Also, Compliance with following Standard (s): ASME A112.18.3M / A112.18.1M, CSA B125, NSF / ANSI 61

ANSI - American National Institute, ASME - American Society of Mechanical Engineers, CSA - Canadian Standard Association IAPMO - International Association of Plumbing and Mechanical Officials, UL - Underwriters Laboratory

All J&A USA products has been compliance with requirements for Whirlpool bath appliances contained in ASME / ANSI A122.19.7M-1995, CSA C22.2 No. 68-69

**** Backflow Protection Device**

Due to Town and / or State requirement/s are varies in building code, if the Town and / or State requires Vaccum Breaker, As the Plumber **MUST** provide Vaccum Breaker according to building code requirement.

Drain Facilities

The pedicure spa Drain must meet local plumbing codes. **Check valve for Drain (not Provided) Must be installed by a licensed plumber.** Also Pedicure spa must be securely fasten to the floor.

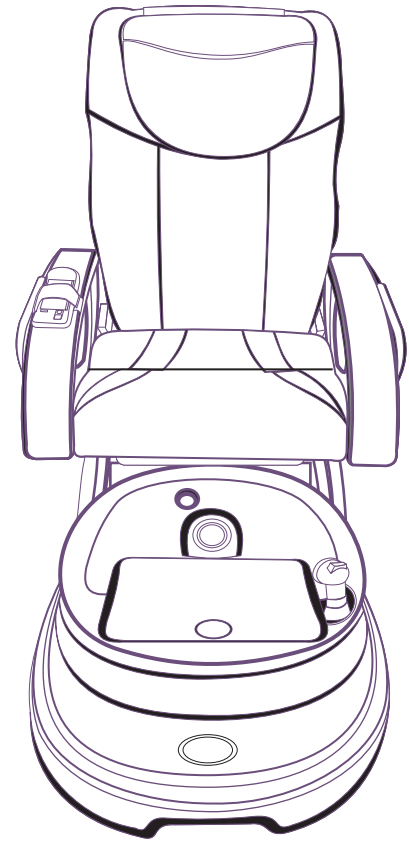
Installation Summary

The installation must comply with local, state, and federal building, plumbing and electrical codes, where applicable. A licensed plumber should complete the plumbing of the pedicure spa.

Note: Failure to comply with federal, state, or local codes and ordinances will result in warranty being nullified and void.

Pacific

Specification



Specification

Dimension & Weight (Shipping)	Pedicure Spa & Massage Chair Stool	67L x 37W x 40H 20.25L x 8.5H x 20W	246 lbs 19 lbs
Dimension & Weight (Net)	Pedicure Spa & Massage Chair	55"L x 27 1/2"W x 51 1/2"H	186 lbs.
Capacity of Tub	Pacific	4.5 U.S Gallon	
Switch		On / Off Air Activated Switch	
Power Source	Dedicated 15Amp Wall Outlet Require Pipe - less whirlpool motor Discharge Pump (Optional) Massage System	120Vac, 0.4 Amp. 60Hz, 120Vac, 60Hz 120Vac, 60Hz	
Plumbing Source	Hot Water Cold Water Drain	0.5 inches (Fitting Provided) 0.5 inches (Fitting Provided) 1.5 inches (See Plumbing Instruction)	
Warranty	Unit Optional Item	One Year 120 Days	

Due to continuous improvements on all our products, specification, characteristics, packing, color, designs are subject to change without notice.

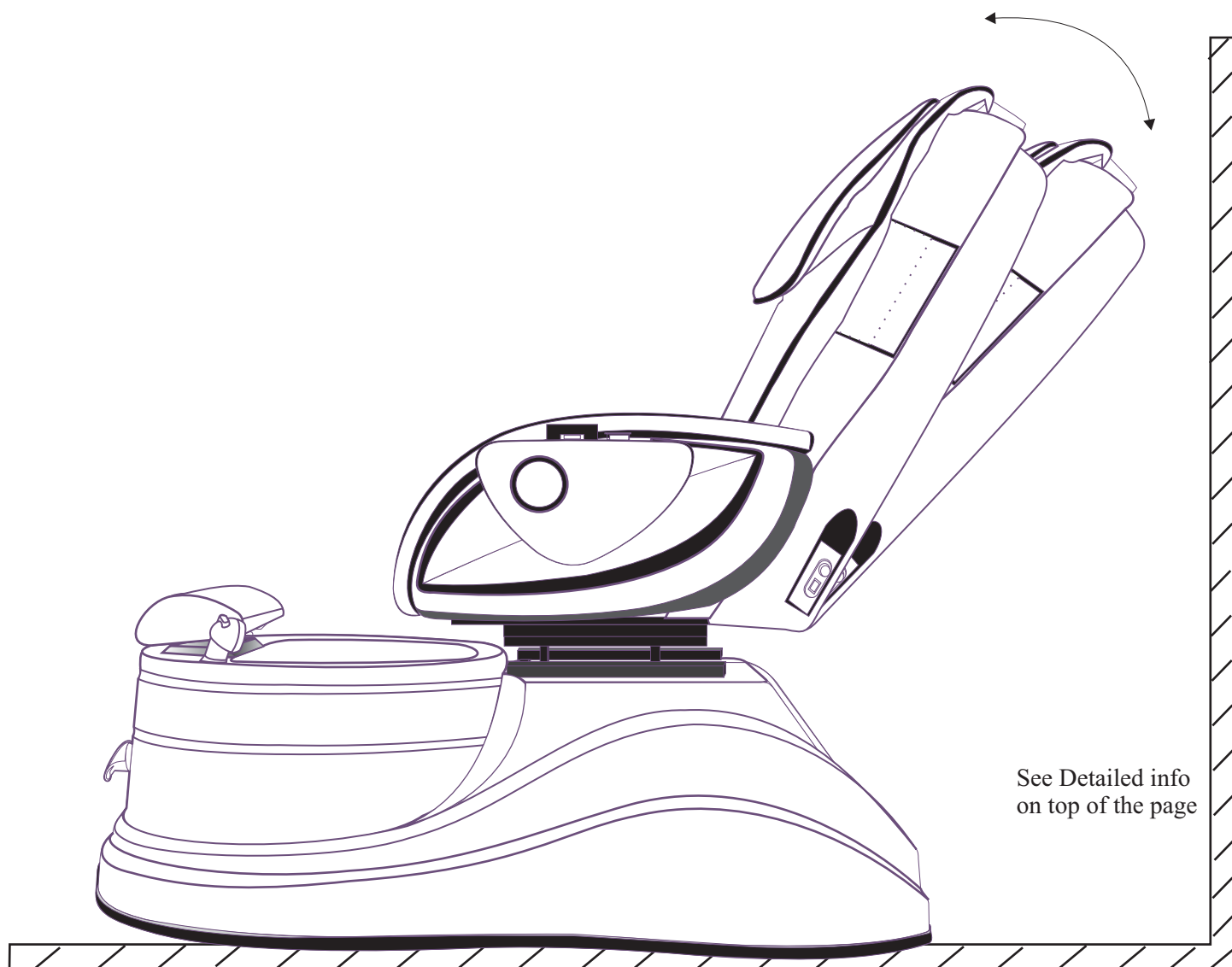
Installation Specifications Summary

Warning: Failure to comply with federal, state or local codes and ordinances will result in warranty being null and void.

As stated, the pedicure spa installation must comply with all **plumbing and electrical codes**. A **licensed plumber and licensed electrician MUST** complete the applicable connections of the pedicure spa.

Location and support

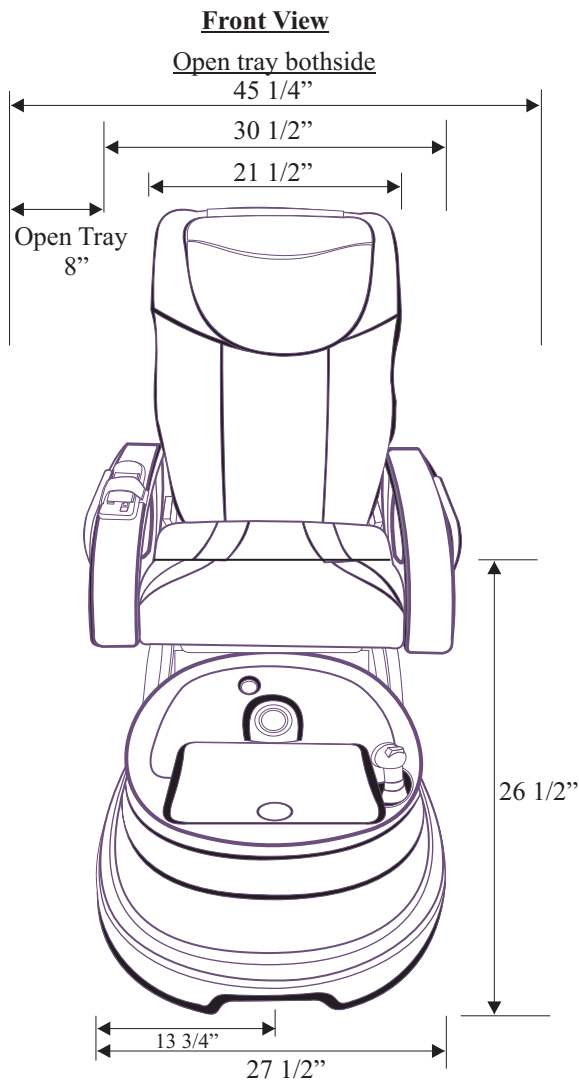
Select a level location. The floor structure beneath the pedicure spa must be capable of supporting the occupied pedicure spa.



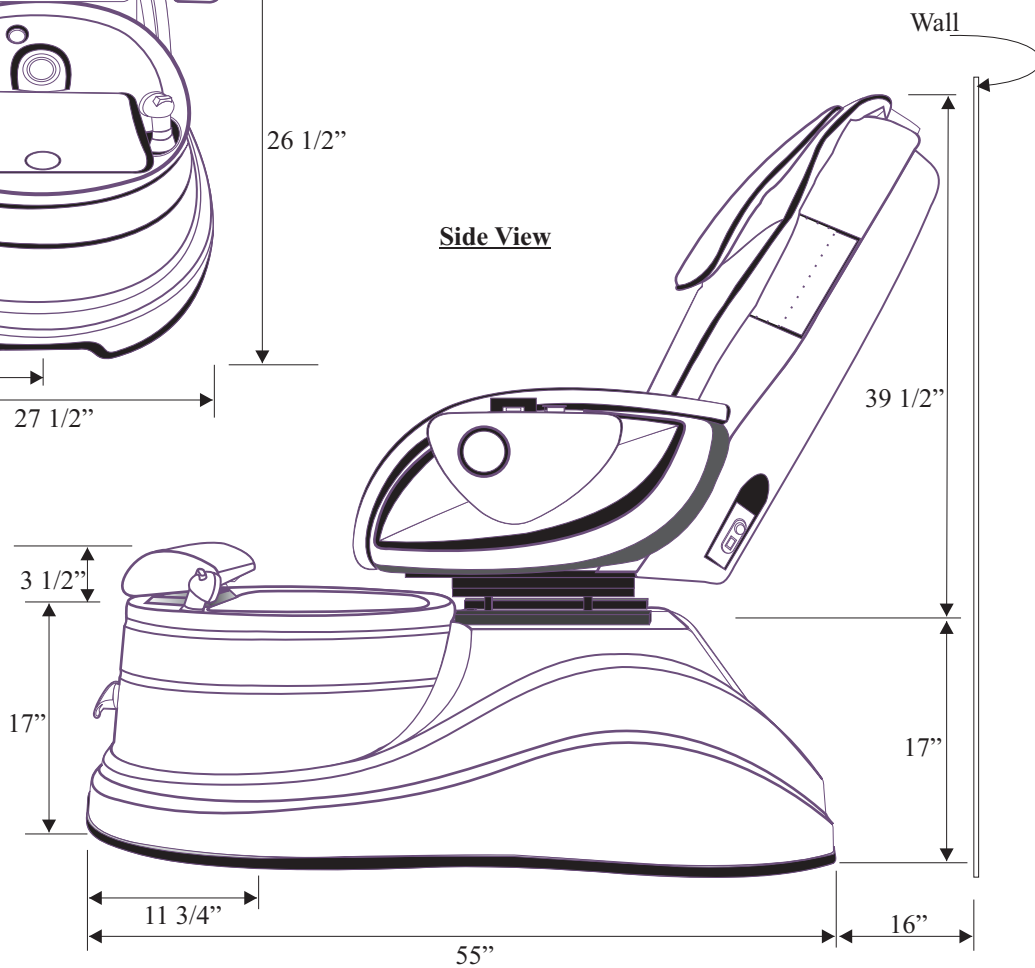
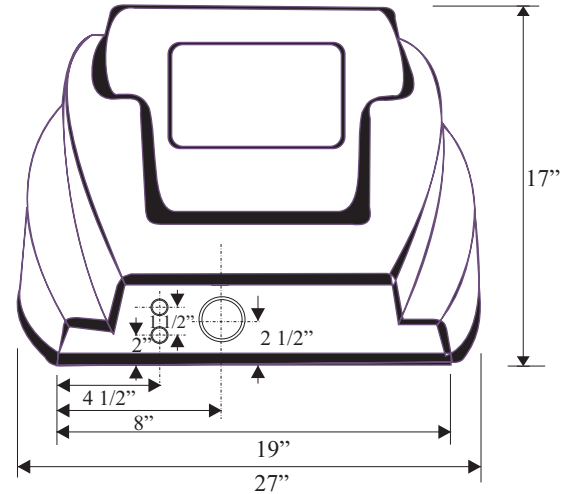
Due to continuous improvements on all our products, specification, characteristics, packing, color, designs are subject to change without notice.

Pacific

Dimension



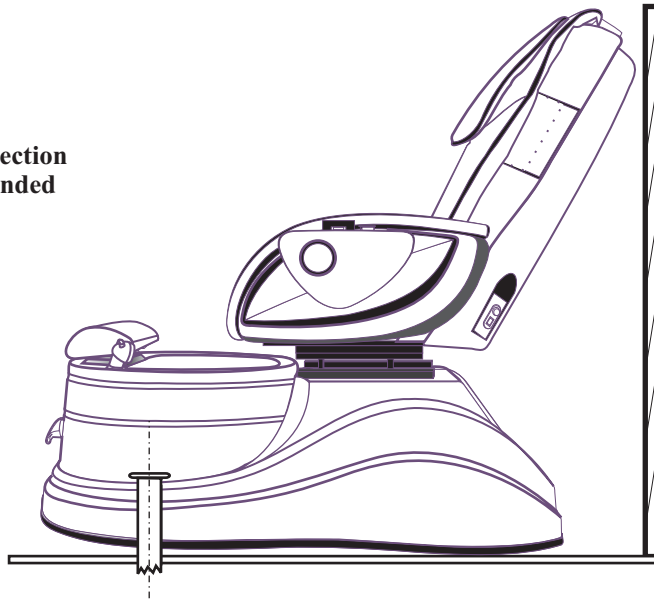
Rear View
Wall drain outlet (2 1/2" PVC) Location / Hot & Cold Inlet (1/2") Location



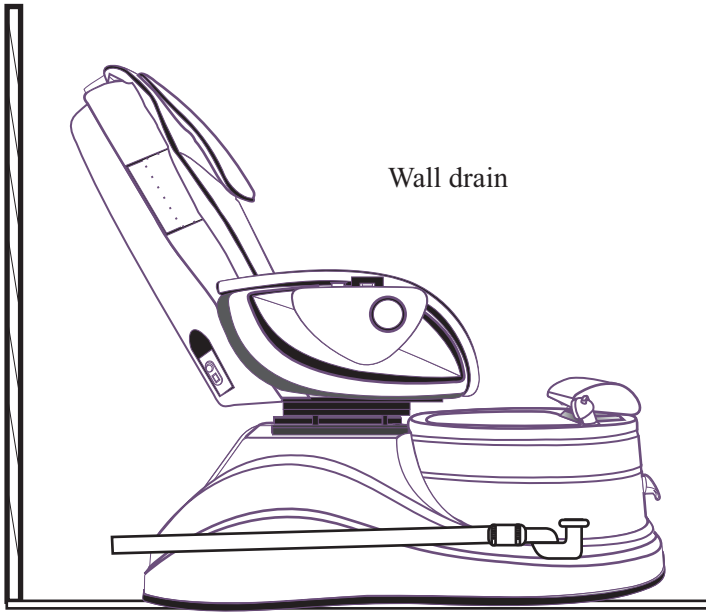
Manufactured by:	Date:
J&A USA Inc.	Nov/12/13
Model & Dimension:	Prepared by:
Pacific	J&A USA Inc.

Pacific
DRAIN

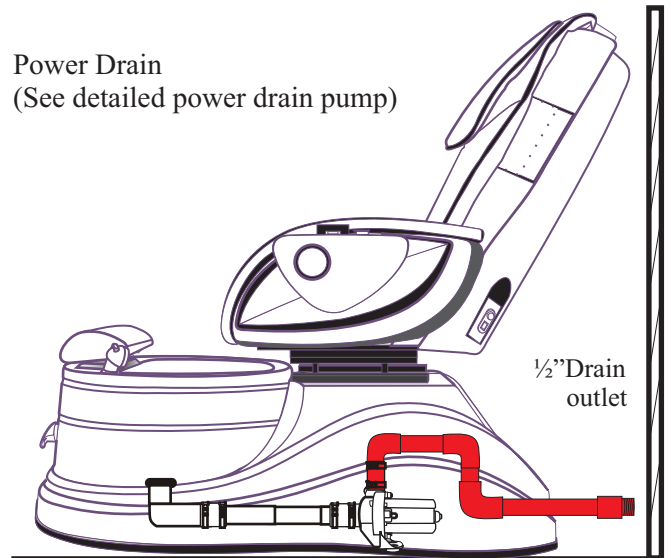
Basement Connection
(NOT recommended
on floor drain)



Wall drain



Power Drain
(See detailed power drain pump)

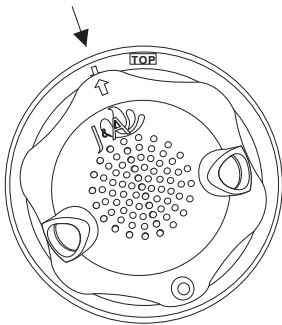


Ultra jet Whirlpool Motor

Safety Instructions

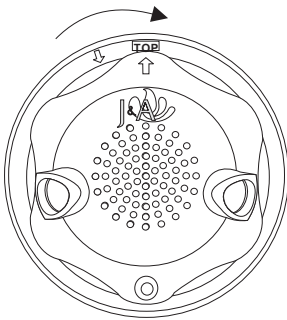
When using electrical equipment, basic safety precautions should always be followed to reduce the risk of fire, electrical shock, and injury to persons, including the following:

1. Read and follow all instructions before using the equipment.
2. Keep the cord out of heavy traffic area. To avoid fire hazard NEVER put the cord under the rugs, near heat generating devices.
3. Always turn off the equipment before servicing.
4. Do not drop or insert any object into any openings.
5. Do not operate any equipment with a damaged parts.
6. Any other use not recommended by the manufacturer may electrical shock or injury to persons.
7. Never use outdoors
8. Do not attempt to repair or adjust any electrical or mechanical functions on the unit.



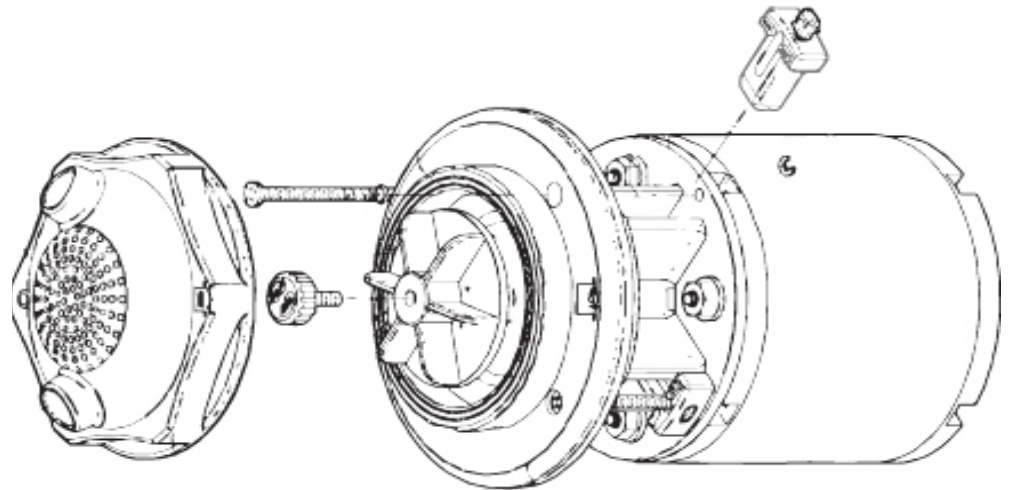
Close Jet Cover

1. Align an arrow line
2. Turn to right (Top indicated)



Cleaning Instruction

1. Turn the unit off and wait until the motor is fully stops.
2. Remove the front jet cover and notice the locking screw in the center
3. Remove the locking center screw (Indicated an Arrow) and pull out impeller from housing.
4. Use Anti-Bacterial solution (EPA Registered) to clean all part/s.
5. After sanitization, place impeller onto the motor shaft and fasten with center locking screw (Opposite arrow)



Ultra Pipeless Jet whirlpool motor

1. Dual powerful massage jet-streams
2. Jet assembly can be attached from the pump for quick cleaning and sanitizing.
3. Thermally Protected
4. AC motor (long life)
5. Extremely low power consumption .

Ultra Pipeless jet Whirlpool Motor Specifications

Model: CS-0216A-MT

Rating: 120VAC / 60Hz, 0.4A - thermally Protected

Pump: Dual whirlpool Jet Flow

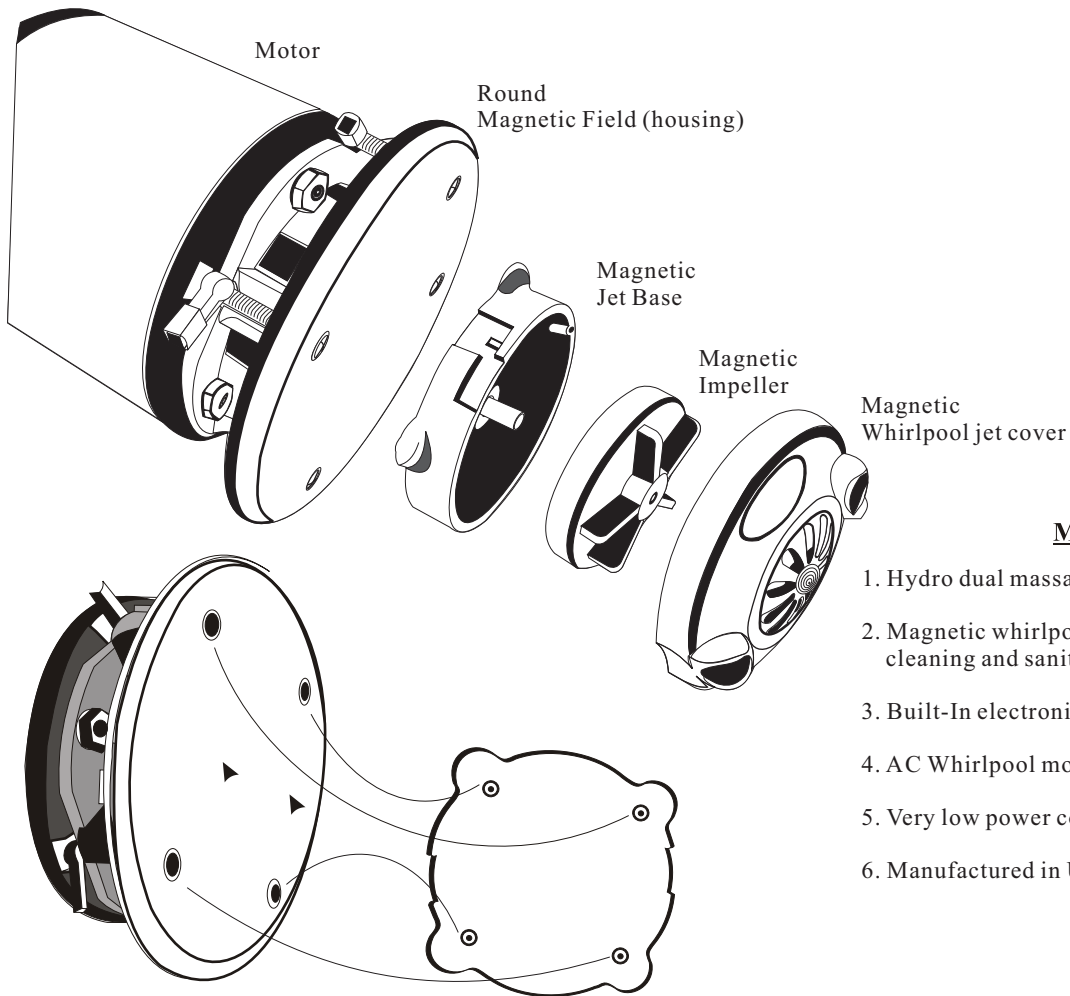
Mounting: Single 3.5" hole Diameter
Auto tighten Mounting screws(4)

MAGNA-JET (OPTIONAL)

Safety Instructions

When using electrical equipment, Basic safety precautions must be followed to reduce the risk of fire, electrical shock, and injury to Persons.

1. Read and follow all instructions before using the equipment.
2. Keep electrical cord out of heavy traffic area. To avoid fire hazard NEVER place electrical cord under the rug, near heat Generating devices.
3. Always turn power off the equipment before service.
4. Do not drop or insert any object into any openings.
5. Do not operate any equipment with damaged parts.
6. Any other use not recommended by the manufacturer may cause electrical shock or cause injury to person/s.
7. Never use it outdoors
8. Do not attempt to repair or adjust any electrical or mechanical.



MAGNA-JET Features

1. Hydro dual massage jet stream
2. Magnetic whirlpool jet cover can be remove for quick cleaning and sanitizing.
3. Built-In electronic sensor for pump control.
4. AC Whirlpool motor (long life)
5. Very low power consumption (27W)
6. Manufactured in USA.

Cleaning Instruction

1. Turn off the unit and wait until the motor is fully stops.
2. Hold Hydro whirlpool jet cover firmly and pull to separate from the round magnetic field.
3. Turn hydro whirlpool jet cover to left to open and pull out impeller.
4. Use Anti - Bacterial solution (EPA Registered) to clean all parts.
5. After sanitize all parts, place impeller and close hydro whirlpool jet cover to turn right to lock
6. Hold firmly the whirlpool cover jet and gently place it onto the round magnetic field. Do not release the hydro whirlpool jet cover until Jet cover is on the round magnetic housing.

MAGNA-JET Specifications

Model: MAGNA-JET - 120VAC, 60Hz, 1.0Amp

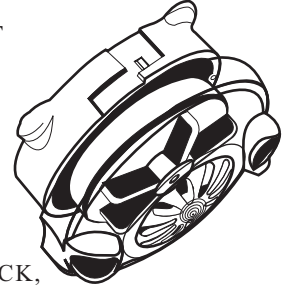
Pump: Hydro-Massage Dual jet Flow

Mounting: Single 3.5" hole Diameter
Auto tighten Mounting screws(4)

How to USE Magnetic jet !

WARNING: DO NOT RUN DRY, BASIN MUST FILLED WITH WATER TO LEVEL INDICATOR.

CAUTION: MAGNETIC JET COVER ASSEMBLY MUST ALIGN WITH DISCHARGE PORT POSITIONED AT 3/9 O'CLOCK.



WHEN READY TO USE, **MAKE SURE** JET COVER IS POSITIONED AT **3/9 O'CLOCK** FOR PROPER WHIRLPOOL ACTION IN THE BASIN. IF JET COVER IS **NOT** ALIGN AT 3/9 O'CLOCK, WATER WILL SPLASH OUTSIDE OF THE BASIN.

PROPER WAY TO USE MAGNETIC JET SYSTEM

1- FILL THE WATER TO WATER LEVEL INDICATOR.

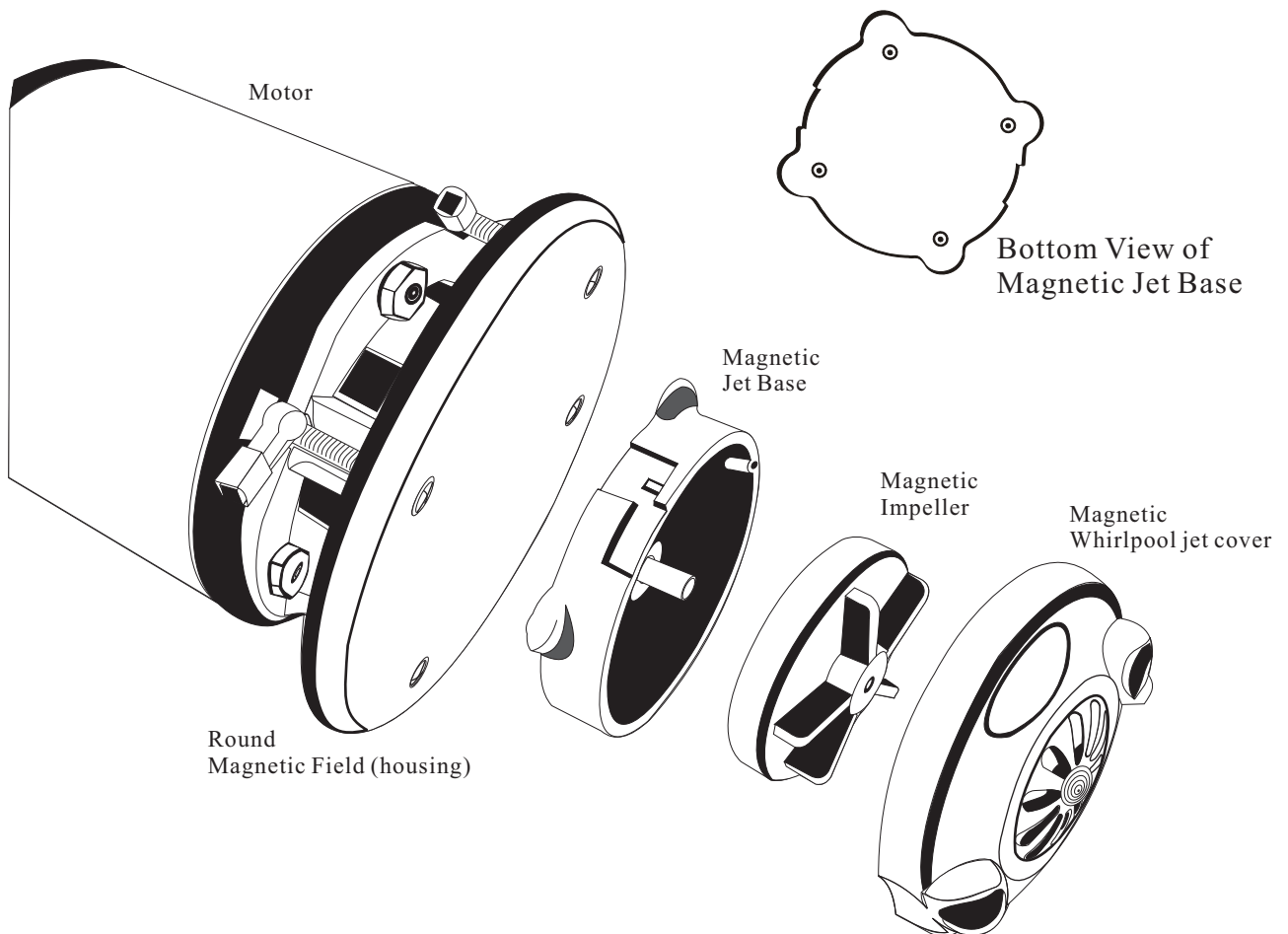
2- HOLD MAGNETIC JET FIRMLY TO BRING CLOSER TO THE ROUND MAGNETIC FIELD AND DO NOT RELEASE

THE MAGNETIC JET PREMATURELY OR THIS WILL CAUSE IMPACTS ON THE JET COVER AND THE ROUND

MAGNETIC FIELD(HOUSING) SHORTENING THE LIFE EXPECTANCY OF THE JET COVER. WHEN THE JET COVER NEARS THE ROUND MAGNETIC FIELD, PLACE JET COVER ONTO THE FOUR DIMPLE AREA (SEE

DIAGRAM). THE JET COVER MUST ALIGN WITH DISCHARGE PORTS POSITIONED AT 3/9 O'CLOCK.

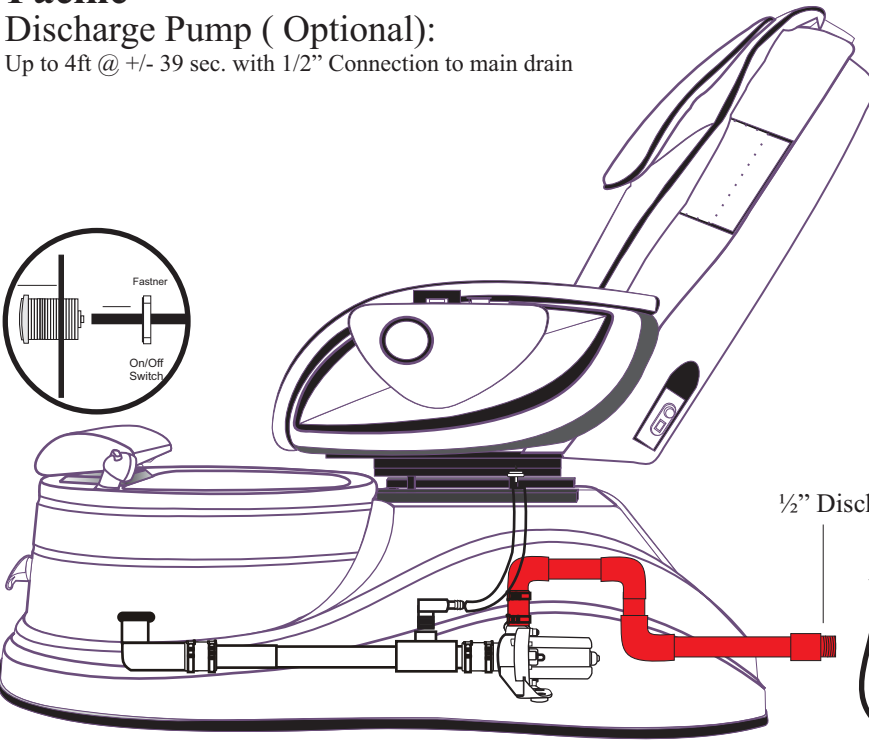
3- WHEN FINISHED WITH CLIENT, DO NOT REMOVE MAGNETIC JET UNTIL MOTOR IS FULLY STOPPED.



Pacific

Discharge Pump (Optional):

Up to 4ft @ +/- 39 sec. with 1/2" Connection to main drain



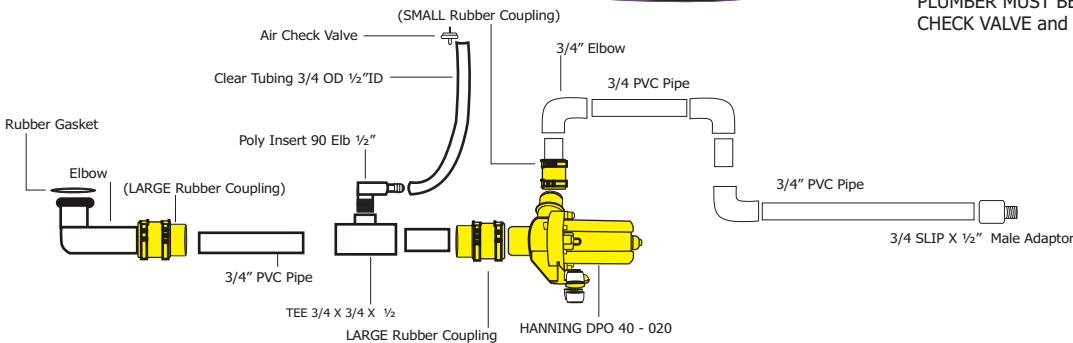
Max. Drainage height : 4ft.

1/2" Discharge Outlet.

DRAIN OUTLET MUST BE 1/2" or 3/4" FOR EFFICIENT DRAINAGE

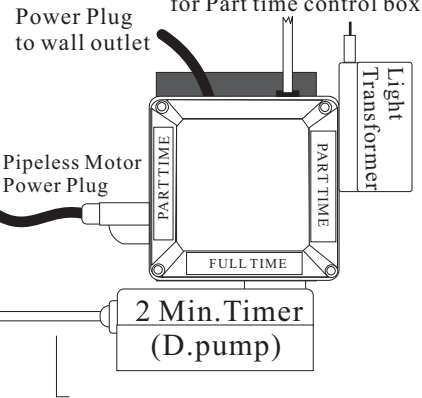
1/2" X 1/2" Brass Check Valve

PLUMBER MUST BE UTILIZED TO INSTALL CHECK VALVE and Utility Valves for Hot / Cold Water



Electrical Control Box (Located left bottom inside of base)

3/8" clear Tube from On/Off Switch for Part time control box



3/8" Clear Tube from on/off for D/P pump insert into 2 Min. Timer. Make sure to push in tightly.

Installation Instruction

1. Make a hole (size 1-3/8") for the On/Off switch as shown (see fig 1). Pre-drill required.
2. Placed a 1/8" clear hose into the rear of the switch and on/off switch into the hole.
3. The discharge pump kit is made to fit onto the pedicure unit. (see fig 2)
4. Connect E-Z connector onto the drain elbow.
5. Plug discharge pump outlet into the two minute timer outlet
6. Plug two minute timer into the wall outlet.
7. It is very important that tip of the clear tub remain above the water Level with one loop as shown.

**** Please cut to fit 1" Flex hose to your size****

Operation Instruction

Warning ! DO NOT RUN DRY

1. Turn to open drain plug. 3 to 5 second for air to release from the pipe
2. Press On/Off switch to activate timer.
3. At any time, water drain completely from the basin. Press On/Off switch to stop or built in two minute timer.

1-3/8" Hole for On/Off Switch

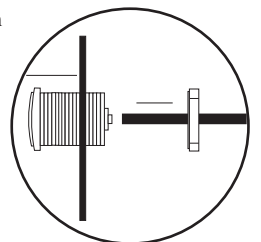
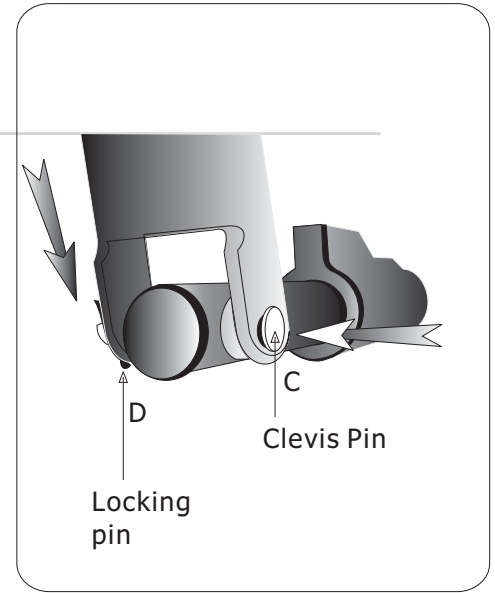
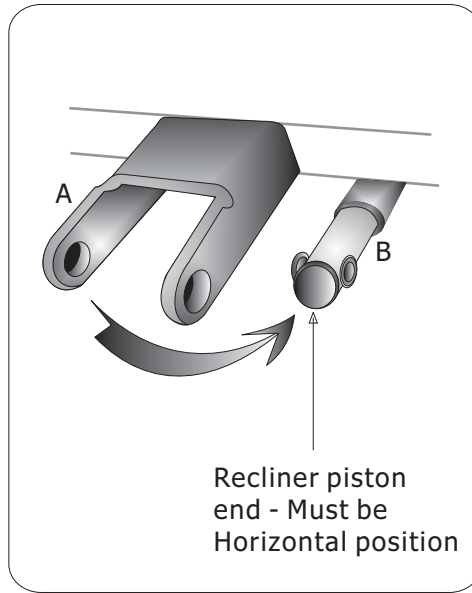
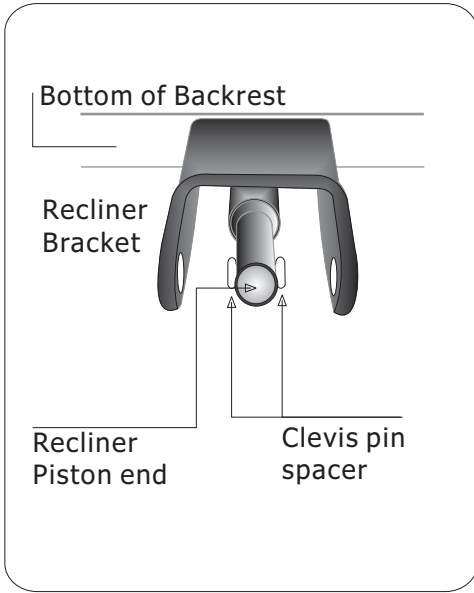


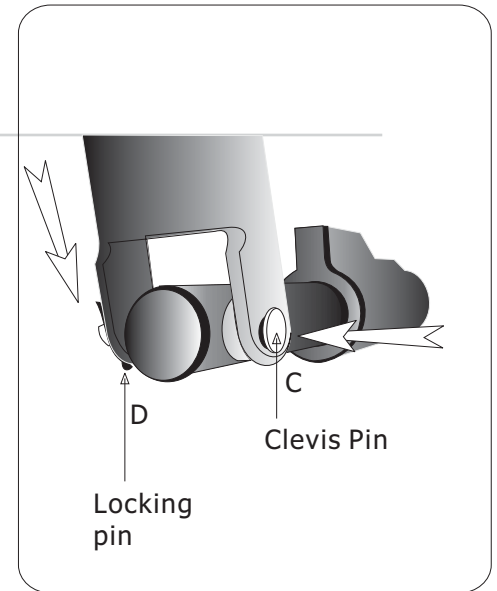
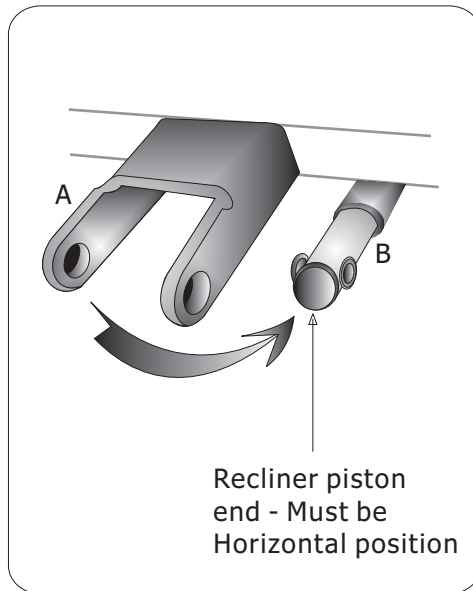
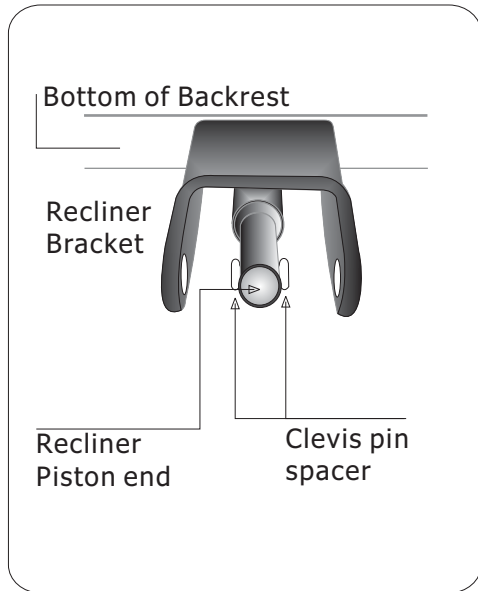
Figure 1

Recliner Piston End Attachment Instruction



1. Remove Clevis pin from recliner piston end and make sure it is in horizontal position.
2. Slowly raise up the backrest to aligned with recliner piston.
3. Insert Clevis Pin into the backrest bracket through recliner piston and secure with locking pin.

Recliner Piston End Attachment Instruction



1. Remove Clevis pin from recliner piston end and make sure it is in horizontal position.
2. Slowly raise up the backrest to aligned with recliner piston.
3. Insert Clevis Pin into the backrest bracket through recliner piston and secure with locking pin.

DISINFECTING YOUR PEDICURE SPA

Note: Please be advised that it is responsibility of purchaser/user to adhere strictly to the following procedure. Any non-compliance will be considered negligence of the purchaser/user.

The Bureau of barbering and cosmetology requires that salons using whirlpool pedicure spas use the following disinfecting Procedures to ensure proper cleaning and maintenance of the equipment, and to prevent bacterial infection. For your clients safety, always use the regulations as a minimum standard for cleaning and disinfecting.

Chair maintenance

Please see chair manual for Do and Don't

At the end of the day:

1. Remove the intake suction screen, All debris trapped behind the screen of each pedicure spa must be removed. And the screen and the inlet shall be washed with soap or detergent and water
2. Before replacing the screen, Totally immersed the screen into an EPA- registered disinfectant with bactericidal, Fungicidal, and virucidal activity.
3. Finally, flush the whirlpool system with low-suding detergent and warm OR an EPA - registered cleanser for 10 minutes. Rinse with clean fresh water and drain.

Note:

Cleaning or sanitizing is NOT disinfecting. According to the CDC and EPA, disinfecting occurs only when there is a reduction of pathogenic microbes at 99.999%. Sanitizing is a only reduction of 99.9%. Cleaning of whirlpool pedicure spa requires surfactant and chelating detergents that are low foaming and have ability to remove body oils, organic oil additives, mineral oil, skin cell, nail clippings, etc.. that can accumulate both in the basin and the jets which may become fertile area for micro organism to grow.

Note:

The use of oil based products can build up in the whirlpool system causing clogging in the jet and build up onto the surface of the basin. Adherence to the above cleaning will minimize build up thus the manufacturer recommend not to use mineral oil based product.

USER RECOMMENDATION

PLEASE READ THE MANUAL THOROUGHLY BEFORE USE TO ENSURE CORRECT OPERATION.
THOSE UNDER A DOCTORS CARE OR WHO ARE EXPERIENCING ONE OR MORE OF THE FOLLOWING DONDITIONS SHOULD CONSULT THEIR DOCTOR BEFORE USE.

- You are receiving medical treatment or are feeling ill.
- Your body shows any cute symptoms.
- You have heart disease.
- You are pregnant or having a menstrual period.
- Your doctor has ordered you to rest.
- You have a back disorder resulting from an accident or disease.
- You have a high fever.
- You have sensory disorders.
- You have medical electrical device (e.g. pacemaker).
- You have service interruption in the circulation of the legs.
- You are diabetic.

FAILURE TO DO SO MAY RESULT IN ACCIDENTS AND HEALTH PROBLEMS.



CERTIFICATE OF COMPLIANCE

Certificate Number 20140428-E242637
Report Reference E242637-20040930
Issue Date 2014-APRIL-28

Issued to: J & A USA INC
335 CROOKED HILL RD
BRENTWOOD NY 11717

**This is to certify that
representative samples of**


PLUMBING ACCESSORIES
USL, CNL - Commercial-type, Whirlpool Pedicure Spas,
Models Cleo, Episode S-type, Lenox, Pacific and Petra
Model designation may be followed by any two-letter suffix,
not related to safety such as finish, special features etc

Have been investigated by UL in accordance with the
Standard(s) indicated on this Certificate.

Standard(s) for Safety: Standard for Electric Plumbing Accessories, UL 1951
Standard for Motor Operated Appliances (Household and
Commercial), CSA C22.2 No. 68-09

Additional Information: See the UL Online Certifications Directory at
www.ul.com/database for additional information

Only those products bearing the UL Listing Mark for the US and Canada should be considered as being covered by UL's Listing and Follow-Up Service meeting the appropriate requirements for US and Canada.

The UL Listing Mark for the US and Canada generally includes: the UL in a circle symbol with "C" and "US" identifiers:  the word "LISTED"; a control number (may be alphanumeric) assigned by UL; and the product category name (product identifier) as indicated in the appropriate UL Directory.

Look for the UL Listing Mark on the product.



William R. Carney, Director, North American Certification Programs
UL LLC

Any information and documentation involving UL Mark services are provided on behalf of UL LLC (UL) or any authorized licensee of UL. For questions, please contact a local UL Customer Service Representative at www.ul.com/contactus





Back Flow Protection Device (Dual Check Valve)

May.1.2014

In accordance with applicable Local or State regulations, J&A USA Inc., The manufacturer of the pedicure whirlpool spa certifies that the following models are equipped with factory installed Dual Check Valve back flow preventer:

- ** Lenox Series
- ** Cleo Series
- ** Episode Series
- ** Pacific Series
- ** Petra Series
- ** Toepia Series

The specification of the installed device is as follows:

DEVICE NAME	DUAL CHECK VALVE BACKFLOW PROTECTION
DEVICE MANUFACTURER	NEOPERL INC. Waterbury CT.
DEVICE MODEL	Dual Check Valve 1/2" x 1/2"NPT
DEVICE SPECIFICATION	TESTED AND CERTIFIED TO MEET NSF61 / 372 Complies with ANSI/ASME A112.18.3M, A112.18.1M AND CSA B125
DEVICE PRESSURE	MAXIMUM PRESSURE: 150 PSI (10 BAR) SERVICE PRESSURE : 80 PSI
DEVICE TEMPERATURE	MAXIMUM TEMPERATURE : 150F SERVICE TEMPERATURE : 90F

ALL MODELS OF PEDICURE SPA MENTIONED ABOVE ARE EQUIPPED WITH THE SUBJECT DEVICE AS STANDARD FEATURE. As for your information, indicated State requires Vacuum Breaker.

** Effective April 01 2005:

ARIZONA, CALIFORNIA, NEBRASKA, NEVADA, OREGON,
TEXAS AND WASHINGTON

** Effective June 15 2005:

ILLINOIS, MINNESOTA, WISCONSIN, MICHIGAN

** Effective May 01 2007:

CONNECTICUT

For additional information, Please contact us at 631-243-5300
Very Truly yours,

Technical Support

J&A USA Inc.

335 Crooked Hill Road
Brentwood, NY 11717
Tel: 631.243.3336
Fax: 631.243.3339

www.jausainc.com

Limited Warranty Pedicure Spa

IMPORTANT

To validate the limited warranty, The Limited Warranty Registration Form **MUST** be filled out completely and return to J&A USA within 30 days of original purchased date. This Limited Warranty is valid if J&A USA received registration form.

J&A USA Inc. Pedicure Spas has designed and manufactured with the highest standards and expressly warrant the pedicure spa as follows:

To the original owner of the J&A USA Inc. Pedicure Spa may repair or replace, at its option, any pedicure spa found to be defective in material or workmanship upon inspection by a authorized representative of J&A USA Inc. This limited warranty covers the

Base - Twenty four (24) month from date of shipment from J&A USA facility.

Components / Parts - Twenty four (24) month from date of shipment from J&A USA facility.

Stool - Ninety (90) days from date of shipment from J&A USA facility.

Shipping Costs - Twenty four (24) month from date of shipment. J&A USA will cover normal shipping costs associated with replacement parts. Expedited shipping cost will incur an additional charge.

Labor - Twelve (12) month from date of shipping, J&A USA Inc will cover reasonable labor costs associated with the installation of replacement parts found to be defective in material or workmanship upon inspection by authorized representative of J&A USA INC.

No labor cost or replacement parts will be covered under this limited warranty if at the sole discretion of J&A USA INC. it is determined a failure was caused by negligence, accident or improper use, improper installation or lack of proper maintenance as in the Owner's Manual.

NO CONSEQUENTIAL, INCIDENTAL, CONTINGENT, INDIRECT, SPECIAL OR OTHER DAMAGES WILL BE ALLOWED. This warranty is null and void if the pedicure spa is removed from its original installation or is not installed accordance with specifications of pedicure spa or national, state or local codes, regulation and ordinances. Furthermore, this limited warranty is null and void if the pedicure spa is subjected to improper installation or maintenance, negligence, improper cleaning or any other circumstance beyond J&A's control. To validate limited warranty, pedicure spa must be installed by a licensed plumber and/or electrician in accordance with local and / or State code and pedicure spa installation instructions.

Warranty Exclusion

- 1- Unauthorized repairs and/or modification or tampered in any way.
- 2- Damage due to freight, accident, natural disaster and /or abuse or misuse
- 3- Stain, fading or discoloration of seat, back cover, armrests (Upholsteries), Tray or Footrest
- 4- Fading, discoloration or staining of basin or Any portion of surface of pedicure spa caused by water additive or improper water treatment (such calcium built up) and/or cleaning agents/s
- 5- Damage or malfunction due to improper installation including but not limited to, failure to comply with all national, state and local plumbing, electrical and building codes.
- 6- Magnetic jet assembly (base, impeller and cover) due to J&A provided an extra jet assembly to accommodates wear-tear.
- 7- Damage drain pump due to residue built up in drain pipe and / or due to the lack of maintenance.

Parts for which labor / Service is NOT COVERED - Following components are simple to replace and DO NOT require a service technician. Therefore, though the part is covered under the guidelines of the warranty agreement.

- 1- Panel
- 2- Jet cover, impeller and / or jet assembly
- 3- Faucet Cartridge, Shower Head
- 4- Footrest
- 5- Air actuate On/Off Button
- 6- Drain Plug
- 7- Remote control

During the Limited Warranty period, J&A will, at its sole discretion, repair or replace any defective component. All component parts removed under this Limited Warranty become property of J&A USA Inc. And all replacement component /s **MUST** be return to J&A USA Inc. within 20 days of replacement. If not, replaced component/s will be charge as its cost/s.

This limited warranty is for the original owner and **not** transferable. The original owner agrees by using pedicure spa the obligation of J&A USA shall not extend to indirect or contingent damage or injury. Furthermore, the obligations of J&A are limited to those set forth herein. The limited warranty is the exclusive remedy and is in lieu of all other warranties, express or limited, including but not limited to, any implied warranty of fitness or merchantability for a particular purpose. No distributor or other person has the right or authority to bind J&A USA INC to changes to this limited warranty.

Limitation of liability

TO THE EXTENT ALLOWED BY LOCAL LAW, EXCEPT FOR THE OBLIGATIONS SPECIFICALLY SET FORTH IN THIS WARRANTY STATEMENT, IN NO EVENT WILL J&A OR ITS THIRD PARTY SUPPLIERS BE LIABLE FOR ANY DAMAGED CAUSED BY J&A'S PEDICURE SPA OR THE FAILURE OF J&A PEDICURE SPA INCLUDING ANY LOST PROFIT OR SAVINGS, BUSINESS INTERRUPTION, LOSS OF USE OR ANY OTHER COMMERCIAL OR ECONOMIC LOSS OF ANY KIND, OR SPECIAL, INCREMENTAL, OR CONSEQUENTIAL DAMAGES. THIS LIMITATION OF LIABILITY APPLIES WHETHER DAMAGES ARE SOUGHT, OR A CLAIM MADE, UNDER THIS LIMITED WARRANTY OR AS A TORT CLAIM, A CONTRACT CLAIM OR ANY OTHER CLAIM.

