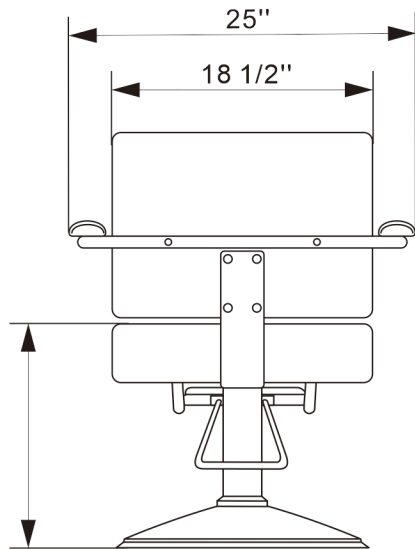
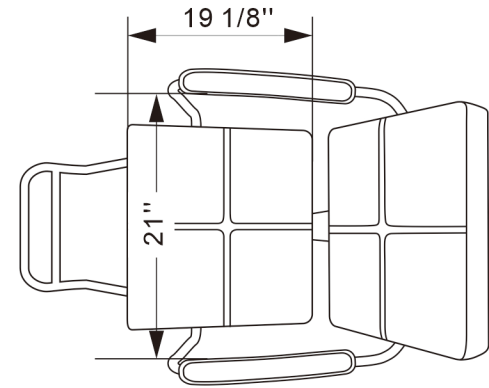


EST.1936  
**Buy-Rite**  
 SALON & SPA  
 EQUIPMENT

1-800-477-6655  
 buyritebeauty.com

**VICTORIA STYLING CHAIR**  
**NIN-5506**

All Measurements in Inches +/- 1/4"



Travel Range: 21 1/4" - 28" (floor to top of seat cushion on standard base)

