



NEW

PETRA G5

A Combination of Comfort & Elegance



Optional
USB
\$25



Optional
Ventilation
\$125



Auto
Fill
\$250



Drain
Pump
\$250



ASSEMBLED BY
J&A USA IN NY

2 YEARS LIMITED WARRANTY



Check the QR Codes
for details about
J&A USA Inc.

-  USB
-  Optional USB
-  Optional Ventilation
-  Auto Stop
-  Drain Pump

1 
**USB OUTLET &
 PURSE HANGER**

2 
BUILT IN REMOTE ON ARMREST

3 
VENTILATION (OPTIONAL)

4 
TECHNICIAN SIDE REMOTE (NEW)


BUILT IN CUP HOLDER



PETRA G5

A Combination of Comfort & Elegance



1 
**USB OUTLET &
 PURSE HANGER**



USB Receptacle Outlet with Purse Hanger.

2 
**BUILT IN REMOTE
 ON ARMREST**



This Convenient & Easy to Access Remote Control provides a Wide Range of Massage Settings.

3 
**VENTILATION
 (OPTIONAL)**



Optional Ventilation.

4 
**TECHNICIAN
 SIDE REMOTE (NEW)**



Re-Position Clients with the Built in Technician Remote.

PETRA G5 COLOR SELECTIONS



GOLD REFLECTIONS & GOLD BASE

GOLD REFLECTIONS & BONE BASE

BOWL COLORS



Gold Reflections

LEATHER COLORS

White



Mocha



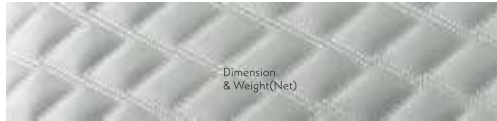
Chocolate



Black



Gray



Dimension
& Weight(Net)

BASE COLORS

Gold
Metallic



Prestige
Gray



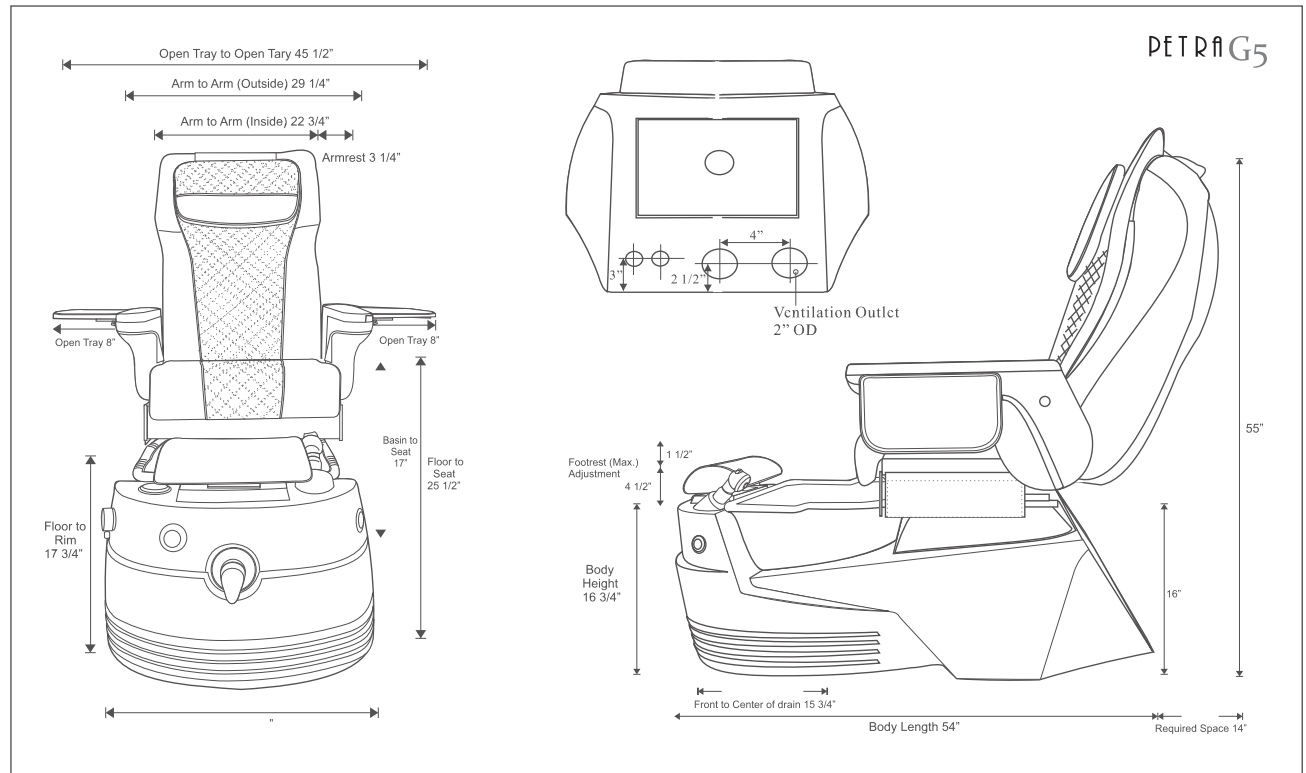
Bone



White



SPECIFICATIONS



Dimension(Shipping)	Pedicure Spa with Massage Chair Stool Pedicure Spa with Massage Chair	67L x 37W x 40H 20.25L x 20W x 8.5H 54L x 26W x 55H	275 lbs 19 lbs 224 lbs
Capacity of Tub	Petra GX/G5	4.5 US Gallon	
Switch		On/Off Air Activated Switch	
Power Source	Dedicated 15 Amp. Wall Outlet Required Pipeless Whirlpool Motor Discharge Pump(Optional) Massage System	120Vac. / 0.4Amp. / 60Hz. 115Vac. / 3.2Amp. / 60Hz. 110-120V / 60Hz. / 60W.	
Plumbing Source	Hot water Cold Water Drain	0.5 inches (Fitting Provided) 0.5 inches (Fitting Provided) 1.5 inches (See Plumbing Instruction)	
Warranty	Pedicure Spa Optional Item	One year 120 Days	

* Actual colors may differ due to limitations & variations inherent in the printing process.

* Due to continuous improvements on all our products, specification, characteristics, packing, color, designs are subject to change without notice.

MONACO

CUSTOMER CHAIR

- OVERALL DIMENSION : 19"W X 23"D
- WEIGHT : 18 LBS
- SHIPPING DIMENSIONS 1 IN 1 BOX :
- 23 X 20 X 14
- SHIPPING WEIGHT : 22LBS
- SHIPPING DIMENSIONS 2 IN 1 BOX :
- 23 X 20 X 17
- SHIPPING WEIGHT : 39LBS



Mocha



Black



Cappuccino



Chocolate

M STOOL

TECHNICIAN STOOL

- OVERALL DIMENSION : 19"W X 23"D
- WEIGHT : 18 LBS
- HEIGHT ADJUSTMENT :
- LOW PISTON (PEDICURE) : 13" TO 16"
- HIGH PISTON (MANICURE) : 16" TO 22"
- SHIPPING DIMENSIONS 1 IN 1 BOX :
- 23" X 20" X 14"
- SHIPPING WEIGHT : 22LBS
- SHIPPING DIMENSIONS 2 IN 1 BOX :
- 23" X 20" X 17"
- SHIPPING WEIGHT : 39LBS



Burgundy



Black



Chocolate



Taupe

EURO STOOL

TECHNICIAN STOOL

- OVERALL DIMENSION : 19"W X 23"D
- WEIGHT : 17 LBS
- HEIGHT ADJUSTMENT :
- LOW PISTON (PEDICURE) : 13" TO 16"
- HIGH PISTON (MANICURE) : 16" TO 22"
- SHIPPING DIMENSIONS : 23" X 19" X 15"
- SHIPPING WEIGHT 1 IN 1 BOX : 19LBS
- SHIPPING WEIGHT 2 IN 1 BOX : 36LBS



Gray



Black



Cappuccino



Chocolate



Orange



Red



Dark Orange

COOKIE STOOL

TECHNICIAN STOOL

- OVERALL DIMENSION: 17 1/2"W X 18"D
- WEIGHT: 20 LBS
- HEIGHT ADJUSTMENT
- LOW PISTON (PEDICURE): 13" TO 16"
- HIGH PISTON (MANICURE): 16" TO 22"
- SHIPPING DIMENSION: 23" X 21" X 20"
- SHIPPING WEIGHT 1 IN 1 BOX: 20 LBS
- SHIPPING WEIGHT 2 IN 1 BOX: 35 LBS



Cappuccino



Black

