



NEW

# CLÉO™ G5

*The Future is Comfortable*



Optional  
USB  
\$25



Optional  
Ventilation  
\$125



Auto  
Fill  
\$250



Drain  
Pump  
\$250



ASSEMBLED BY  
J&A USA IN NY

2 YEARS LIMITED WARRANTY



→ Check the QR Codes  
for details about  
J&A USA Inc.



**1** USB OUTLET & PURSE HANGER

**BUILT IN CUP HOLDER**

**2** BUILT IN REMOTE ON ARMREST

**3** VENTILATION (OPTIONAL)

**4** TECHNICIAN SIDE REMOTE (NEW)



Optional USB \$25



Optional Ventilation \$125



Auto Fill \$250



Drain Pump \$250

# CLÉO™ G5

*The Future is Comfortable*



## 1 USB OUTLET & PURSE HANGER



*USB Receptacle Outlet with Purse Hanger.*

## 2 BUILT IN REMOTE ON ARMREST



*This Convenient & Easy to Access Remote Control provides a Wide Range of Massage Settings.*

## 3 VENTILATION (OPTIONAL)



*Optional Ventilation.*

## 4 TECHNICIAN SIDE REMOTE (NEW)



*Re-position Clients with the Built in Technician Remote.*

# CLÉO™ G5 COLOR SELECTIONS



CRYSTAL REFLECTIONS & WHITE BASE



GOLD REFLECTIONS & BONE BASE



BLACK NICKEL & GRAY BASE

### BOWL COLORS



Gold Reflections

Black Nickel

Crystal Reflections

### LEATHER COLORS

White



Mocha



Chocolate



Black



Gray



### BASE COLORS

Gray



Prestige Gray



Bone

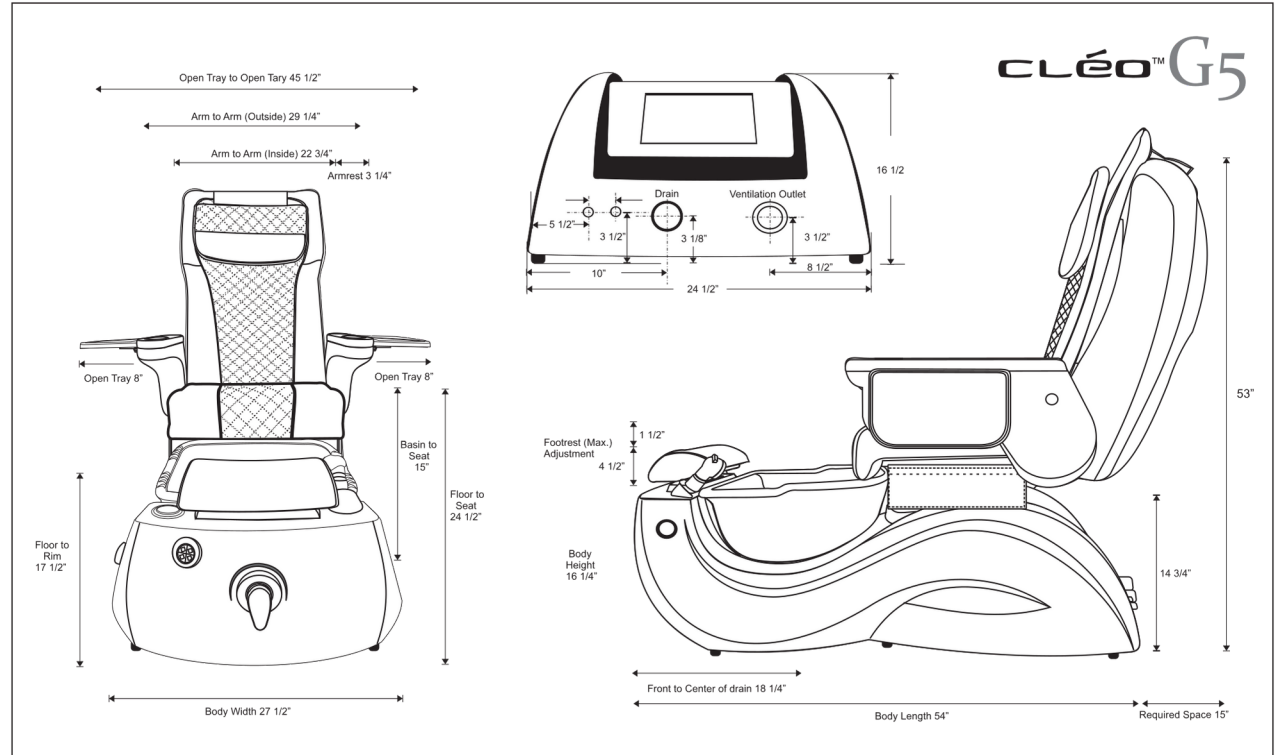


White



\* Actual colors may differ due to limitations & variations inherent in the printing process.

## SPECIFICATIONS



Dimension(Shipping)	Pedicure Spa with Massage Chair	67L x 37W x 40H	290 lbs
	Stool	20.25L x 27.25W x 17H	19 lbs
Dimension & Weight(Net)	Pedicure Spa with Massage Chair	54L x 27.5W x 53H	248 lbs
Capacity of Tub	Petra GX/G5	5 US Gallon	
Switch		On/Off Air Activated Switch	
Power Source	Dedicated 15 Amp. Wall Outlet Required Pipeless Whirlpool Motor Discharge Pump(Optional) Massage System	120Vac. / 0.4Amp. / 60Hz. 115Vac. / 3.2Amp. / 60Hz. 110-120V / 60Hz. / 60W.	
Plumbing Source	Hot water Cold Water Drain	0.5 inches (Fitting Provided) 0.5 inches (Fitting Provided) 1.5 inches (See Plumbing Instruction)	
Warranty	Pedicure Spa Optional Item	One year 120 Days	

\* Due to continuous improvements on all our products, specification, characteristics, packing, color, designs are subject to change without notice.

# STOOLS & CHAIRS

## MONACO CUSTOMER CHAIR

- OVERALL DIMENSION: 29" X 16" X 25"
- WEIGHT: 43LBS
- SHIPPING DIMENSIONS  
- 23" X 20" X 14" SHIPPING  
- WEIGHT: 22LBS

## M STOOL TECHNICIAN STOOL

- OVERALL DIMENSION: 19"W X 23"D
- WEIGHT: 18 LBS
- HEIGHT ADJUSTMENT:  
- LOW PISTON (PEDICURE): 13" TO 16"  
- MEDIUM PISTON (MANICURE): 16" TO 19.5"
- SHIPPING DIMENSIONS 1 IN 1 BOX :  
- 23" X 20" X 14" SHIPPING - WEIGHT: 22LBS
- SHIPPING DIMENSIONS 2 IN 1 BOX:  
- 23" X 20" X 17" SHIPPING - WEIGHT: 39LBS

## EURO STOOL TECHNICIAN STOOL

- OVERALL DIMENSION: 19"W X 23"D
- WEIGHT: 17 LBS
- HEIGHT ADJUSTMENT:  
- LOW PISTON (PEDICURE): 13" TO 16"  
- MEDIUM PISTON (MANICURE): 16" TO 19.5"
- SHIPPING DIMENSIONS: 23" X 19" X 15"
- SHIPPING WEIGHT 1 IN 1 BOX: 19LBS
- SHIPPING WEIGHT 2 IN 1 BOX: 36LBS

## COOKIE STOOL TECHNICIAN STOOL

- OVERALL DIMENSION: 17 1/2"W X 18"D
- WEIGHT: 20 LBS
- HEIGHT ADJUSTMENT  
- LOW PISTON (PEDICURE): 13" TO 16"  
- MEDIUM PISTON (MANICURE): 16" TO 19.5"
- SHIPPING DIMENSION: 23" X 21" X 20"
- SHIPPING WEIGHT 1 IN 1 BOX: 20 LBS
- SHIPPING WEIGHT 2 IN 1 BOX: 35 LBS

→ Check the QR Codes for details about the Stools & Chairs



### MONACO CUSTOMER CHAIR



GRAY



BLACK



CAPPUCCINO



CHOCOLATE



MOCHA

### M STOOL



TAUPE



BLACK



CHOCOLATE



BURGUNDY

### EURO STOOL



WHITE



BLACK



CHOCOLATE



CAPPUCCINO



GRAY



MOCHA



RED



RED ORANGE



TAUPE

### COOKIE STOOL



CAPPUCCINO



BLACK



CHOCOLATE



MOCHA



TAUPE

# FURNITURE

## SINGLE NAIL TABLE

DIMENSIONS: 40"W X 30 1/2"H X 16"L



Colors: White Granite Top & Dark Brown Wood White Wood

## NAIL DRYER STATION

DIMENSIONS: 55 1/2"W X 36 1/2"H X 16 1/8"L



Colors: White Granite Top & Dark Brown Wood White Wood

## RECEPTION

DIMENSIONS: 52 3/4"W X 44 1/4"H X 18 1/2"L



Colors: White Granite Top & Dark Brown Wood White Wood

## DOUBLE NAIL TABLE

DIMENSIONS: 71"W X 30 1/2"H X 16"



Colors: White Granite Top & Dark Brown Wood White Wood

## TROLLEY

DIMENSIONS: 20" W X 16" D X 42.5" H



## PEDI CART

DIMENSIONS: 14 1/4"W X 17"H X 14 1/4"L



## HOT TOWEL WARMER



Optional Ventilation is available for both single & double tables. Consult with your local and state board regulations for compatibility.