



## SANN COMFORT WASH



For the ultimate in backwash experience, the Sann Comfort Wash is as comfortable and functional as it is beautiful. Featuring expertly tailored cushions, motorized front to back adjustment to accommodate different height individuals with controls at the touch of the stylist or clients left hand, motorized footrest for the most relaxing positioning at the clients right hand, and tilting shampoo bowl mounted to solid surface counter top, the Sann Comfort Wash has it all - not to mention the "dialed-in" ergonomic dimensions that are tried and true with all Collins backwash units.

Specify shampoo bowl color, laminated chassis color, and upholstery color when ordering. Solid surface top available in Arctic White only.

### TECHNICAL INFORMATION

- Width between the arms 23"
- Width outside the arms 29"
- Height to the top of the back 33"
- Height to top of seat 18.5"
- Depth of seat 20.5"
- Overall depth 46"
- Overall depth w/ footrest & chair completely extended 69"
- 2Amps - Power requirement that plugs into standard 120V receptacle



### SHIPPING INFORMATION

- Weight 250 lbs
- Dimensions: 32"W x 48"D x 42"H
- Bowl weight 72 lbs
- Bowl dimensions 26"L x 26"W x 25"H

### WARRANTY

3 Year:

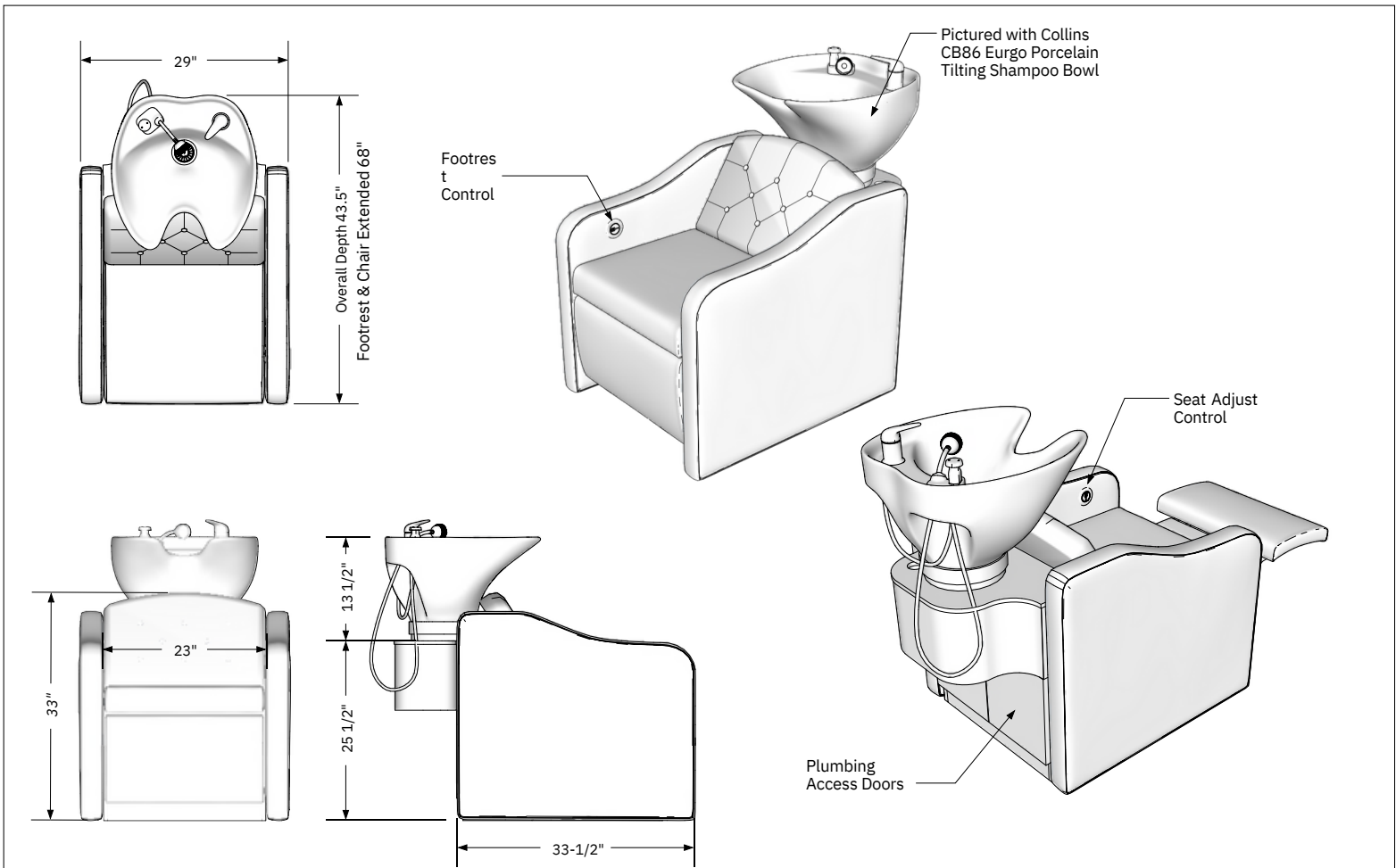
Molded urethane arms  
Cabinet drawer-slides

2 Year:

All Shampoo Bowls  
Vacuum breakers

1 Year:

All remaining components, unless noted otherwise




**Additional Information**

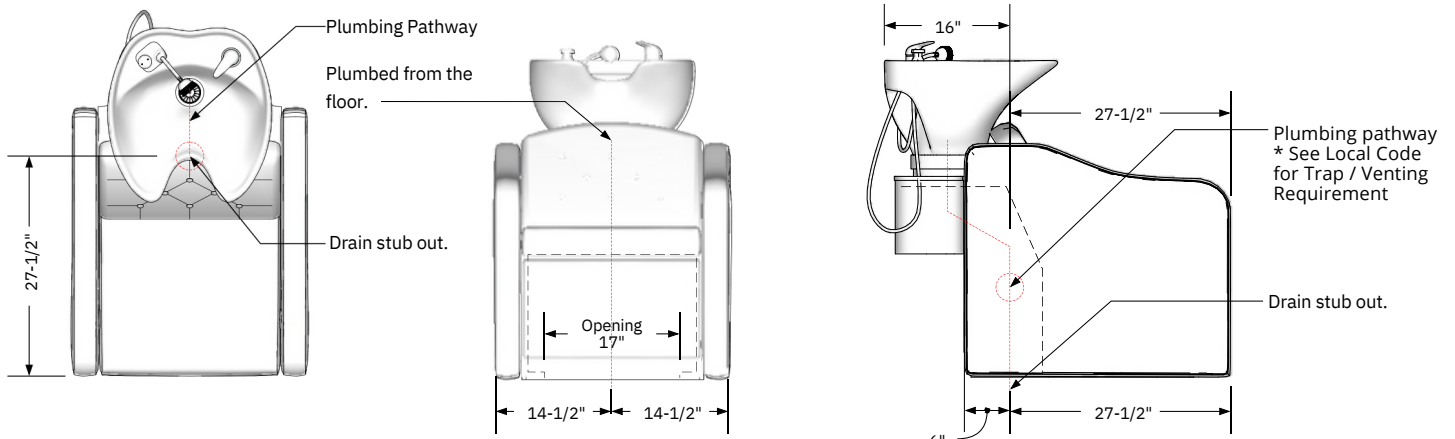
Assembly required - yes  
 Electrical required - yes  
 Plumbing required - yes  
 Wall blocking required - no  
 Other (specify) - n/a  
 Other (specify) - n/a  
 Other (specify) - n/a  
 Other (specify) - n/a

**Specification Drawing**

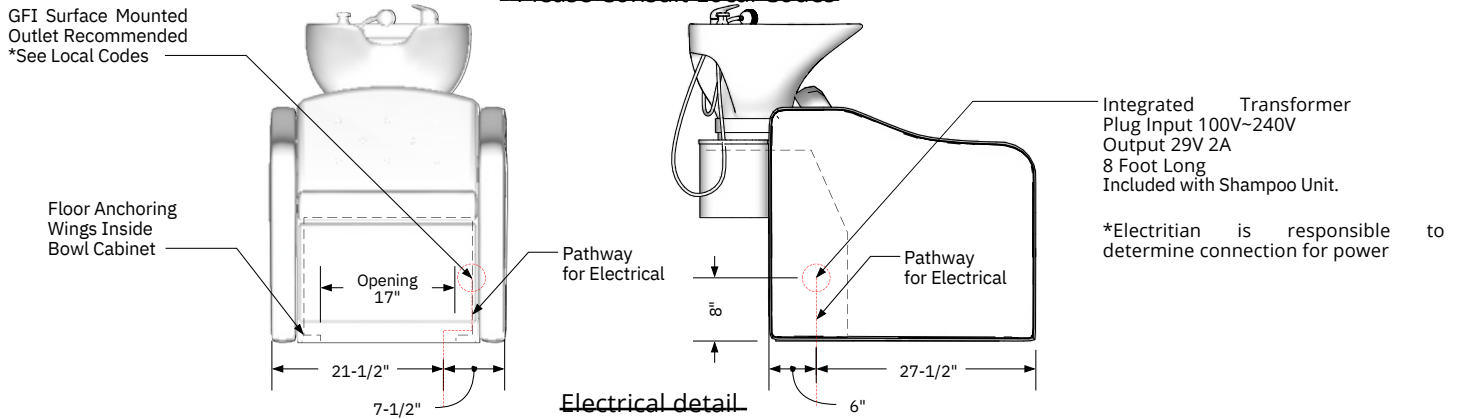
This Specification Drawing is intended for communicating the basic description, function, appearance, dimensions, features, and installation of an item as manufactured by Collins Manufacturing Company. Because this drawing does not contain project specific information such as quantities, finishes, or options, it is not an approval drawing and does not require a signature. This drawing remains the property of Collins Manufacturing Company and must not be used against the interests of Collins Manufacturing Company.

**Product Information**

		Collins Manufacturing 2000 Bowser Road Cookeville, TN 38506
Name: <b>Sann Comfort Wash</b>		
Size/Part Number: <b>NTS 2875</b>	Drawn By: <b>Eng 1</b>	
Prepared Date/Revision Date: <b>2/17/21 2/18/21</b>	Revision Number: <b>REV1</b>	
		Sheet: <b>of 3</b>



**Plumbing stub out detail**  
\*Please Consult Local Codes



**Electrical detail**  
\*Please Consult Local Codes

**Additional Information**

Assembly required - yes  
 Electrical required - yes  
 Plumbing required - yes  
 Wall blocking required - no  
 Other (specify) - n/a  
 Other (specify) - n/a  
 Other (specify) - n/a  
 Other (specify) - n/a

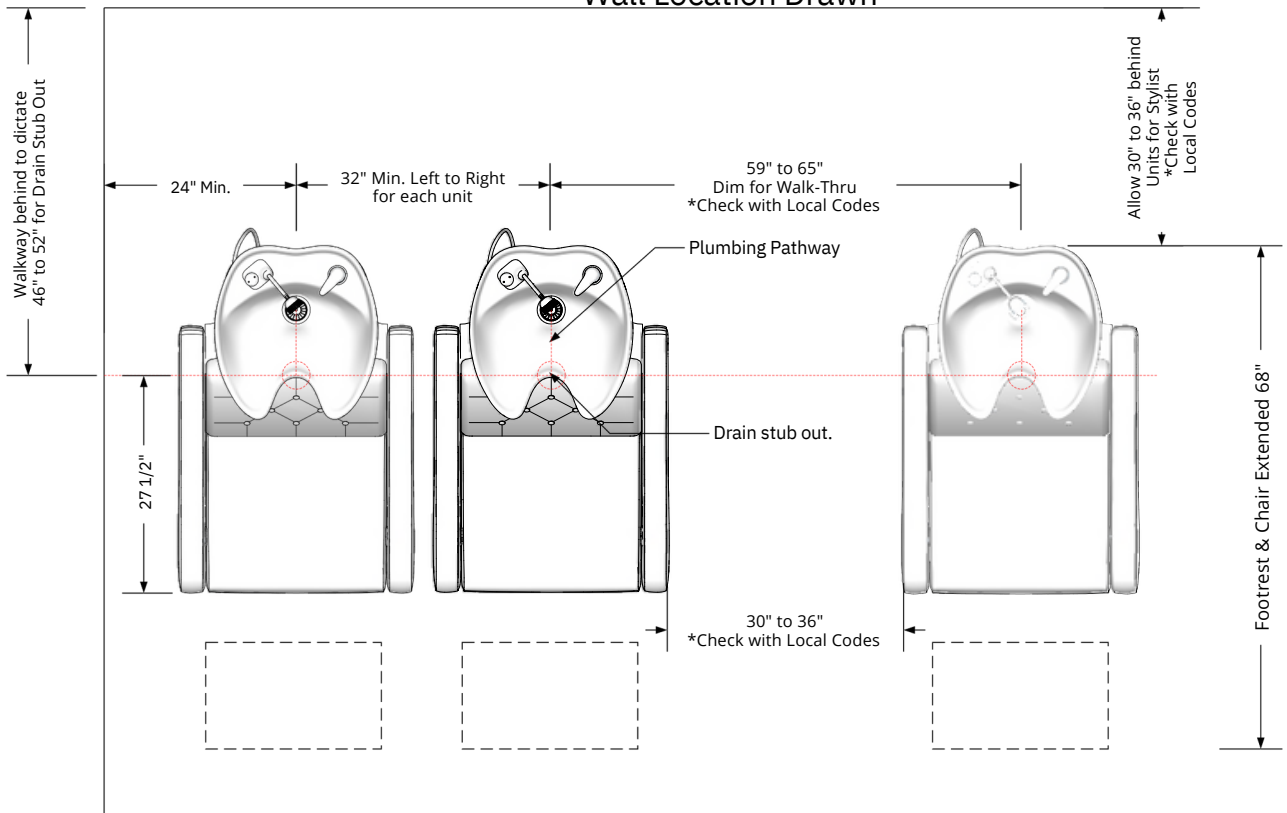
**Specification Drawing**

This **Specification Drawing** is intended for communicating the basic description, function, appearance, dimensions, features, and installation of an item as manufactured by Collins Manufacturing Company. Because this drawing does not contain project specific information such as quantities, finishes, or options, it is not an approval drawing and does not require a signature. This drawing remains the property of Collins Manufacturing Company and must not be used against the interests of Collins Manufacturing Company.

**Product Information**

<b>collins</b>		Collins Manufacturing 2000 Bowser Road Cookeville, TN 38506
Name: <b>Sann Comfort Wash</b>		
Size/Part Number: <b>NTS 2875</b>	Prepared Date/Revision Date: <b>2/17/21 2/18/21</b>	Revision Number: <b>REV1</b>
Drawn By: <b>Eng 2</b>		Sheet: <b>of 3</b>

## Wall Location Drawn



### Multi Unit Recommended Spacing Configuration \*Please Consult Local Codes

#### Additional Information

Assembly required - yes  
 Electrical required - yes  
 Plumbing required - yes  
 Wall blocking required - no  
 Other (specify) - n/a  
 Other (specify) - n/a  
 Other (specify) - n/a  
 Other (specify) - n/a

#### Specification Drawing

This Specification Drawing is intended for communicating the basic description, function, appearance, dimensions, features, and installation of an item as manufactured by Collins Manufacturing Company. Because this drawing does not contain project specific information such as quantities, finishes, or options, it is not an approval drawing and does not require a signature. This drawing remains the property of Collins Manufacturing Company and must not be used against the interests of Collins Manufacturing Company.

#### Product Information

<b>collins</b>		Collins Manufacturing 2000 Bowser Road Cookeville, TN 38506
Name: <b>Sann Comfort Wash</b>		
Size/Part Number: <b>NTS 2875</b>	Drawn By: <b>Eng 3</b>	
Prepared Date/Revision Date: <b>2/17/21 2/18/21</b>	Revision Number: <b>REV1</b>	
		Sheet: <b>of 3</b>