



VEECO ARISTETTE II DRYER



Designed with the style and look of the original Veeco Aristette Dryer, circa 1960, the new Aristette II Dryer on Stand is a digitally controlled, 1000 Watt forced air hair dryer with ion generator. Using this hooded hair dryer does not require a hair net.

TECHNICAL INFORMATION

- Down-draft dryer with solid cone shaped hood
- Variable time and temperature settings
- Three fan speeds
- Ion generator
- Digital controls
- Cool-down cycle
- Hood measures 12.5" inside diameter
- 17.5" Diameter at largest point
- 110 volts
- 1000 watts

SHIPPING INFORMATION

Item generally ships via Parcel (Fedex/UPS) service
Weight: 45 lbs

WARRANTY

5 Years:

Collins 2200 Sol-Air dryer motors & hoods

2 Years:

Jeffco K500 Complete and Collins 2200 Remaining components

1 Year:

All remaining dryer and processor models and components

All warranties are part replacement warranties only with labor being provided by the customer. The factory technicians will help diagnose the problem by phone or video conference and ship out the replacement component. Technicians will also provide any instructions for repair as well.



VEECO ARISTETTE II DRYER



Thank you for choosing the Aristette II. To get the most out of your new dryer, we recommend that you read the instruction manual before using the machine. Please keep this instruction manual in a safe place near the product so that you can find safety instructions and important information handy.

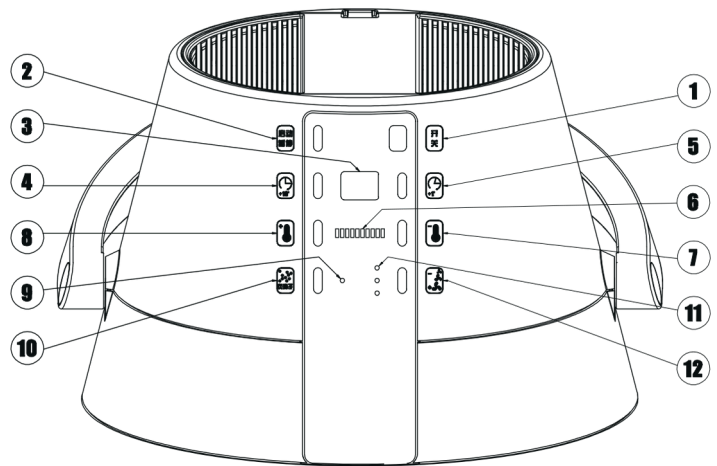
TECHNICAL PARAMETERS

110-120V~ 50/60HZ 1000W

READ THESE INSTRUCTIONS BEFORE USING THE DRYER

1. Ensure the correct voltage is being supplied.
2. Operating environment: room temperature between 40°C to 77°C; no more than 95% relative humidity.
3. Do not insert metal objects into the machine to ensure user safety.
4. Do not use in flammable gases, objects and similar environments to avoid electric shock.
5. If you experience issues with your dryer, DO NOT disassemble or attempt to repair your dryer yourself.
6. Do not pull the power cord to to unplug the unit.
Please grasp the power plug and pull it out; do not move the product by pulling the power cord and grabbing the head of the machine.
7. Do not use outdoors.
8. Do not bend, stretch or bump the power cord. If the power cord is damaged, it must be replaced by the manufacturer, its service department, or a similarly qualified person to avoid danger.
9. When it is found that the dryer is damaged due to the drop, or the internal electrical parts of the dryer are visible. Please do not attempt to connect the power supply. You must inform the manufacturer or supplier immediately.
10. This device is not intended for use by children.

CONTROL PANEL



(1) Main power switch

(2) Start/Pause button

After turning the machine on, set the time, temperature and other programs. Press this button to enter the working mode. You may press this button to pause the machine, the time display will flash.

(3) Time display

It shows the working time, max time is 60 minutes.

(4) Time increase button +10

Each time you press it, it will increase 10 minutes; if the display time is 60 minutes, continue to press this button to change the time to 10 minutes.

(5) Time increase button +1

Each time you press it, it will increase 1 minute; if the display time is 60 minutes, continue to press this button to change the time to 1 minute.

(6) Temperature display

Total of 6 set temperatures.

(7) Temperature adjustment button -

This button is used to decrease the temperature.

(8) Temperature adjustment button +

This button is used to increase the temperature.

(9) Ion display

When the light is on it indicates ion mode is turned on.

(10) Turn on/off ion mode

Press this button to turn on or off the ion mode.

(11) Air speed adjustment button

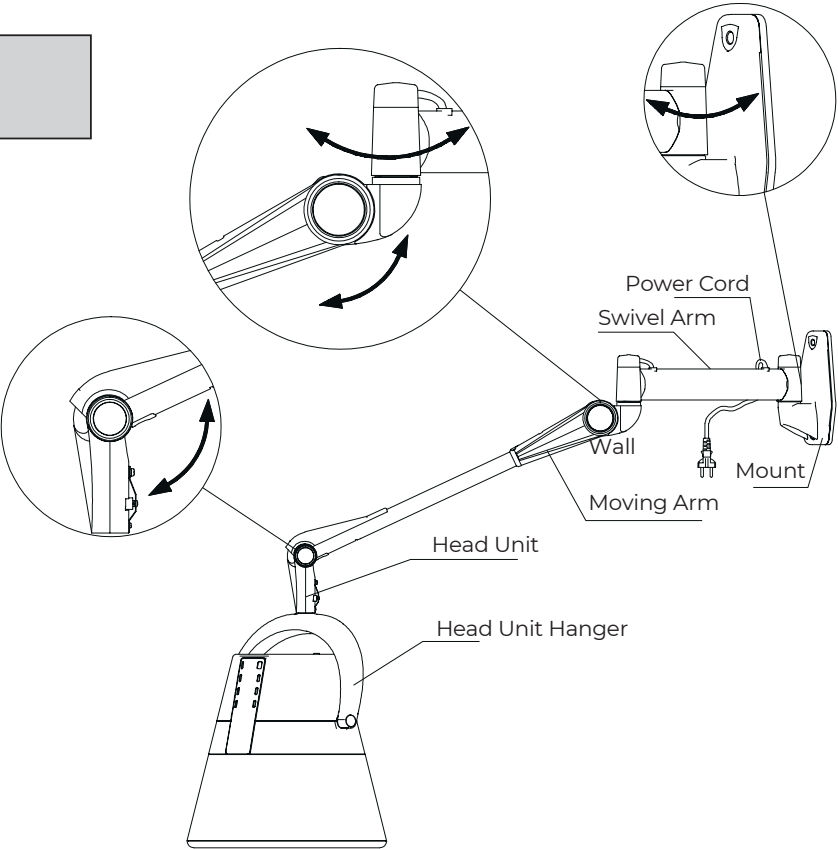
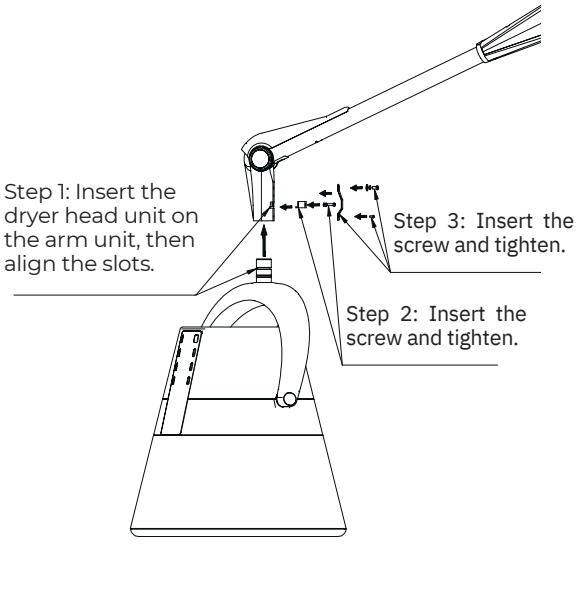
Press this button to change the speed level, total of 3 levels.

(12) Air speed display

It shows the air speed mode.

DRYER INSTALLATION INSTRUCTIONS

Wall Mount 3524H

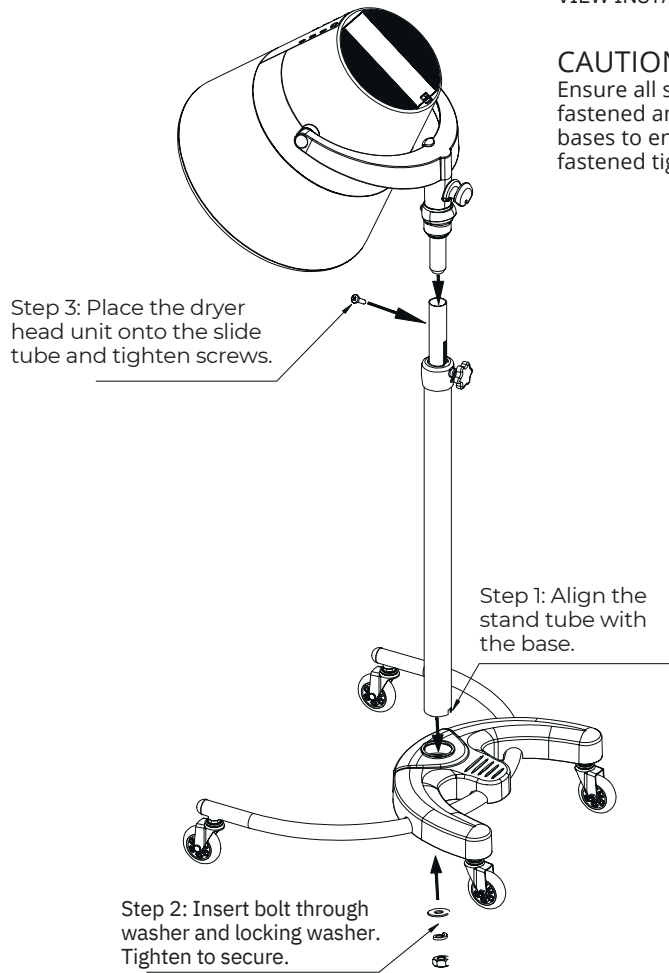


Wall Mounting - Screw the arm frame into the pre-installed In-Wall-Backing or Overlay Panel using wood screws. A single wall stud will not provide sufficient support. Recommended height is 1.8-2 meters (71-79 inches) from the floor to the bottom of the arm frame.

Floor Stand 3524S

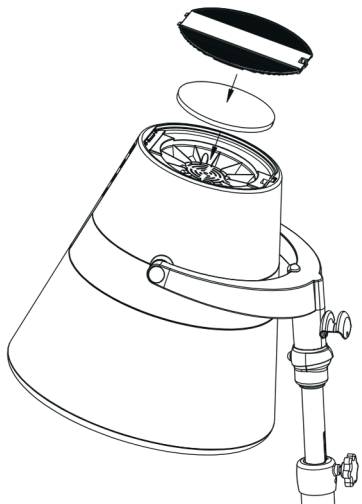
[VIEW INSTALLATION VIDEO](#)

CAUTION:
Ensure all screws and bolts in the arm frame are fastened and tight. Check the arm frame on a regular bases to ensure all screws and bolts continue to be fastened tightly



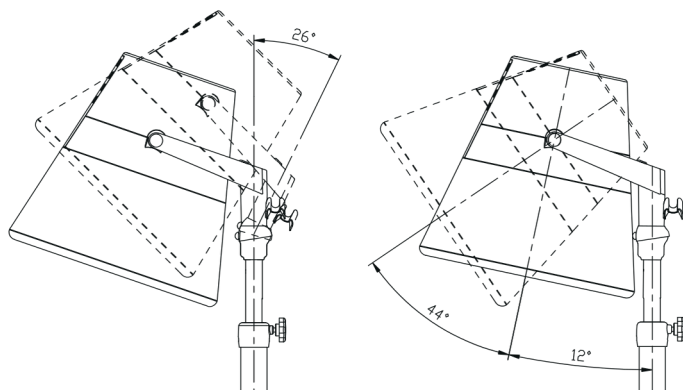
FILTER INSTALLATION

1. Before starting the dryer, please make sure the filter is installed. If not, please do not use it. Report to the manufacturer or seller.
2. The filter should be cleaned regularly.



OPERATING INSTRUCTIONS

1. Assemble the dryer as shown in the installation instructions.
2. Make sure that the voltage used is the same as the rated voltage of the product.
3. To achieve the best comfort, the hood can be adjusted to different angles, as shown below:



4. Press the main power switch:
 - When working program is ready, initial mode: time display is 25 minutes; temperature display: 6; the air speed: 1; the ion mode is off.
 - If the customer defaults to the initial mode, press the start/stop button to start the machine; customer needs to adjust the working time, press the time to increase the key; adjust the working temperature, press the "Temperature adjustment button -" to lower the temperature. Each time you press the "Temperature adjustment button + " to raise a temperature level;

5. When the dryer is running
 - Dryer warm up time is 2 mins, the light stops flashing after 2 mins. The indicator light on the head unit will turn on.
 - After 2 mins, the dryer will be on working mode, the time display shows the remaining time.
 - When remaining time shows 10 mins, the indicator light will light up green.
 - When remaining time shows 1 min, the indicator light on the head unit will indicate red and green lights at the same time. And it does not generate heat and or blow air. Apart from the main power switch, all keys will be locked.
6. Change the working program during operation
 - Time, temperature, and air speed can be changed during operation.
7. End of work mode
 - After the work is finished, the time display becomes "0", the timer alarm beeps 3 times, and the indicator light on the head unit will turn in green.