



PRODUCT SPECIFICATION SHEET

Part#: 9010 • 9015 • 9020 • 9030

Description: Continental Family of Chairs

Standard Features:

Cast aluminum logo footrest, gas cylinder controlled reclining back, padded upholstered arm treatment, padded upholstered calf support, adjustable headrest, and heavy-duty hydraulic base w/ 26" diameter polished chrome baseplate.

Four Color Choices: Wallaby Black, Wallaby Charcoal, Wallaby Chocolate, and Wallaby Camel



(Eighty+ additional choices available for 10% upcharge)

Specifications:

	9010	9015	9020	9030
A Width(Between Arms) B	24	24	24	24
Height(top of reclined back)	35	35	35	35
C Overall Depth (Seat depth)	21.5	21.5	21.5	21.5
Dimensional Weight	N/A	N/A	N/A	N/A
Carton Width	32	32	32	32
Carton Length	48	48	48	48
Carton Height	50	50	50	50
Base Lift Height	7.5*	7.5*	7.5*	7.5*
Reclining Back	Y	Y	Y	N

*Denotes Hydraulic Base, **Denotes Gas Cylinder Lift
All dimensions are in inches AND are for chair in lowest position

Optional Features:

Hydraulic Upgrades: Electric base

- 9010 Continental Barber Chair w/ Stationary Footrest
- 9015 Continental Barber Chair w/ Kick-out Footrest
- 9020 Continental Man Size All- Purpose Chair
- 9030 Continental Man Size Styling Chair w/ Fixed Back

Shipping and Assembly/Installation Information

Assembly Required: Yes
Electrical Required: No
Ship Dimensions:
UPS Dimensional Weight:
Total Ship Weight 151
of Ship Pieces 1

Additional Information:

Warranty:
Foot-operated hydraulic base - 7.5 years, Reclining mechanism - 5 years, Molded urethane arms - 3 years



9015



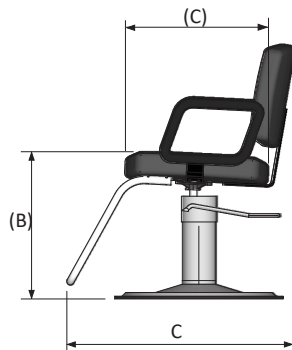
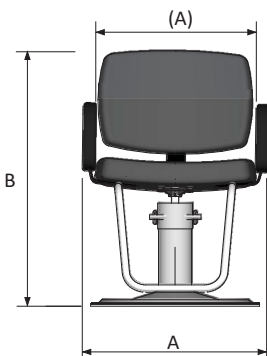
9010



9020



9030

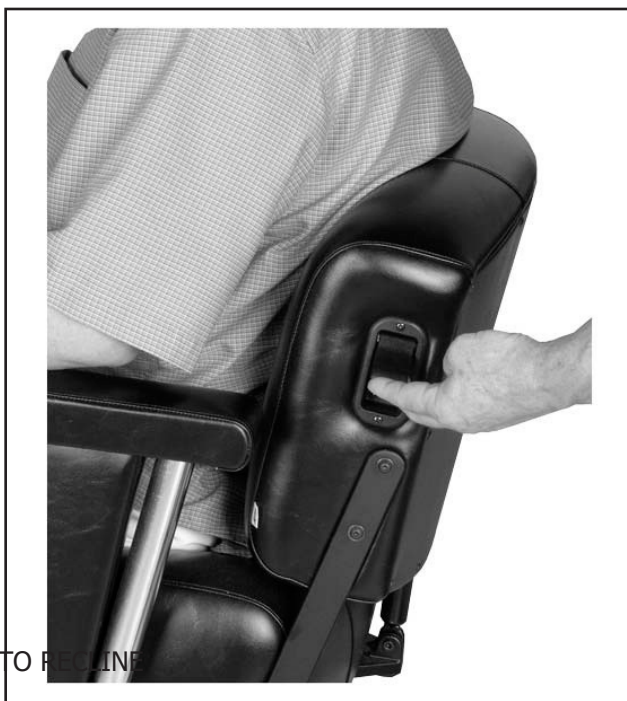


OPERATING Collins BARBER CHAIR for SHAMPOO or SHAVE

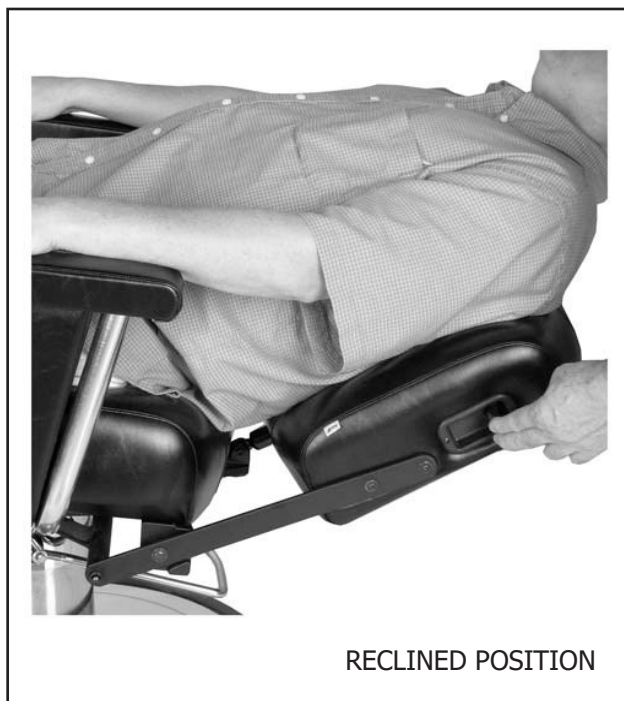
How to Lower & Raise the Chair's Reclining Back

It operates like an AIRLINE seat

800-292-6450



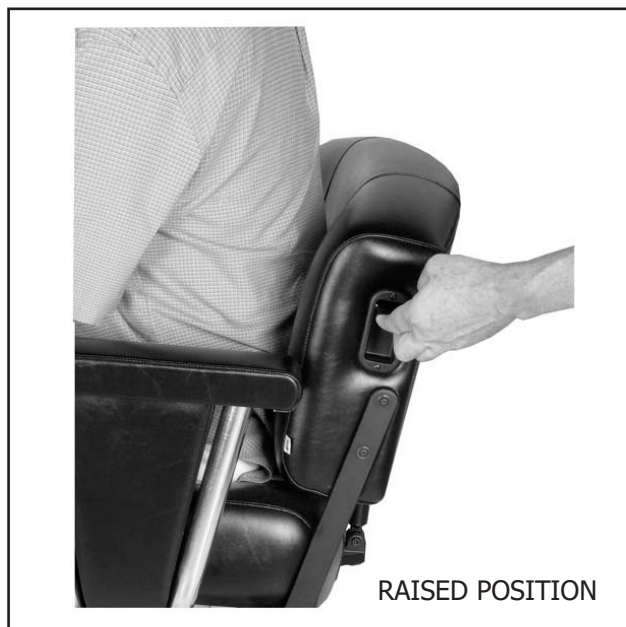
1. Lift the finger-control with two fingers to initiate the recline. Client's weight will make the chair's back-cushion recline. For heavier customers, use spare hand to slow or control the back's recline.



2. Once reclined to desired shampoo angle, you simply release the finger-control. This will lock & hold the chair's back in position for desired service.

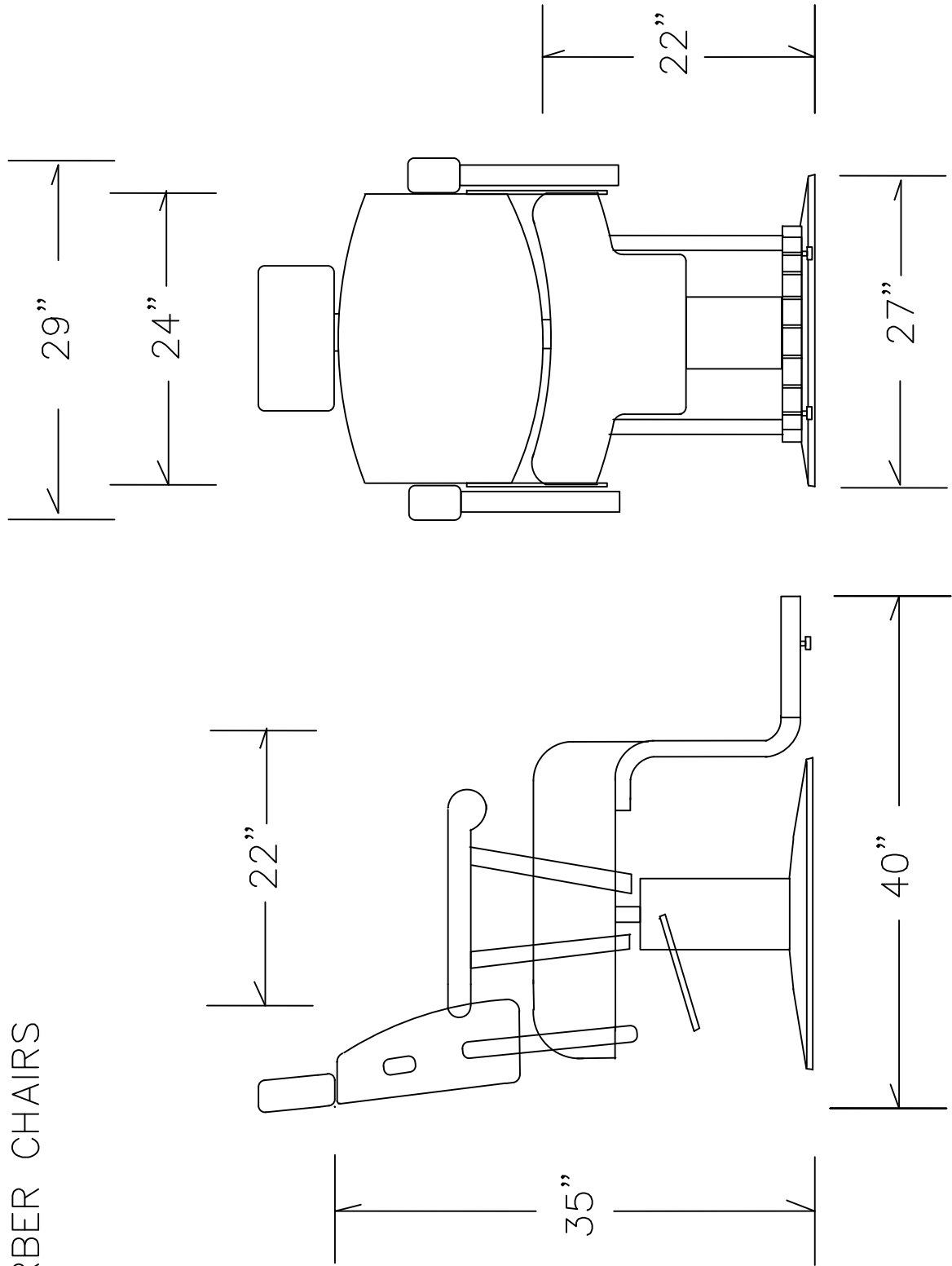


3. Instruct client to please UPRIGHT HIMSELF & remain upright so you can return the back-cushion to the original upright position. Then, lift the finger-control with two fingers --- back cushion will raise itself to upright position. Chair will not lift the client ... and neither should stylist try to lift the client.



4. Once chair's back has raised itself to the upright position, instruct the client to lean back & relax for your haircut.
5. Upon completion of haircut, push foot-treadle all the way down to LOWER CHAIR TO LOWEST POSITION. Then instruct client to safely exit the chair.

9000 & 9010 & 9020
CONTINENTAL
BARBER CHAIRS



No Assembly Required ... the Continental is fully assembly by Collins