

# LUMMA NAILS SPACE

BUILT-TO-ORDER • ACETONE RESISTANT, TEMPERED GLASS WORK SURFACE  
AMPLE STORAGE • VENTILATION • RECESSED POWER & USB • FULL SPECTRUM LED



# FEATURED TECH



Acetone-resistant laminate offerings



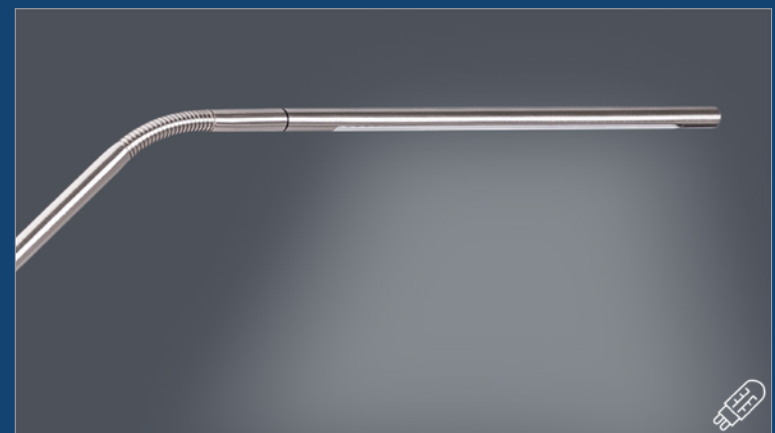
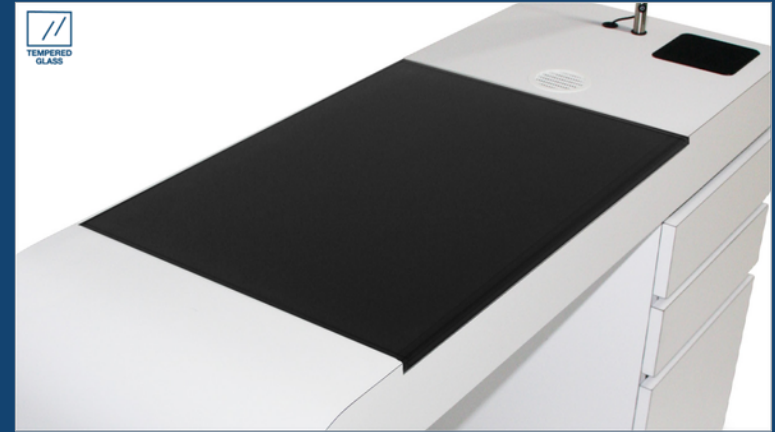
Tempered glass work-surface in Black Onyx or Sugar White



Full spectrum LED task light



Three (3) storage drawers (left or right side configuration)



# CUSTOM OPTIONS



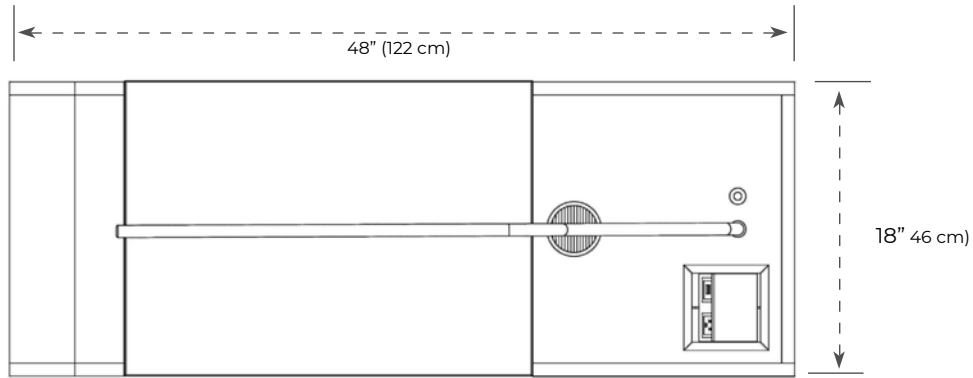
Passive Ventilation outlet for HVAC hookup



Recessed power and USB




# SPECS & DIMS



## Dimensions

- Width: 48" (122 cm)
- Height: 30" (76 cm)
- Depth: 18" (46 cm)
- Leg Space:
  - Height: 27" (69 cm)
  - Width: 28" (71 cm)

## Electrical

- 110V / 220V available
- International plug options
-  components | 