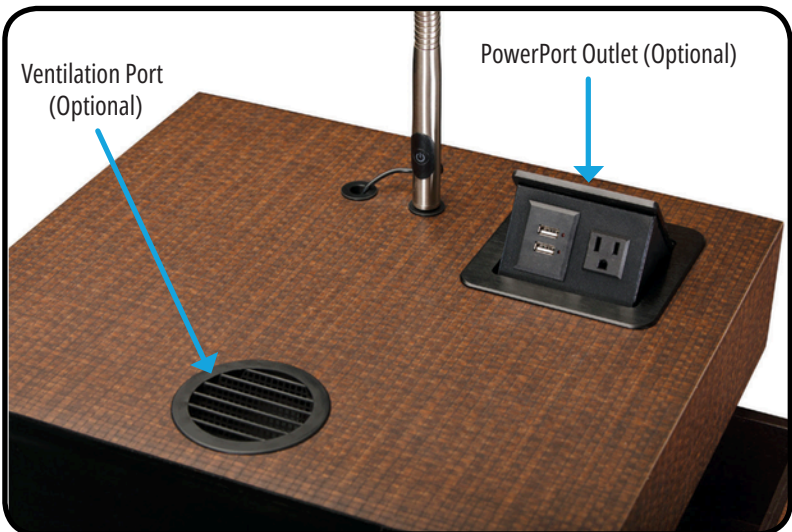
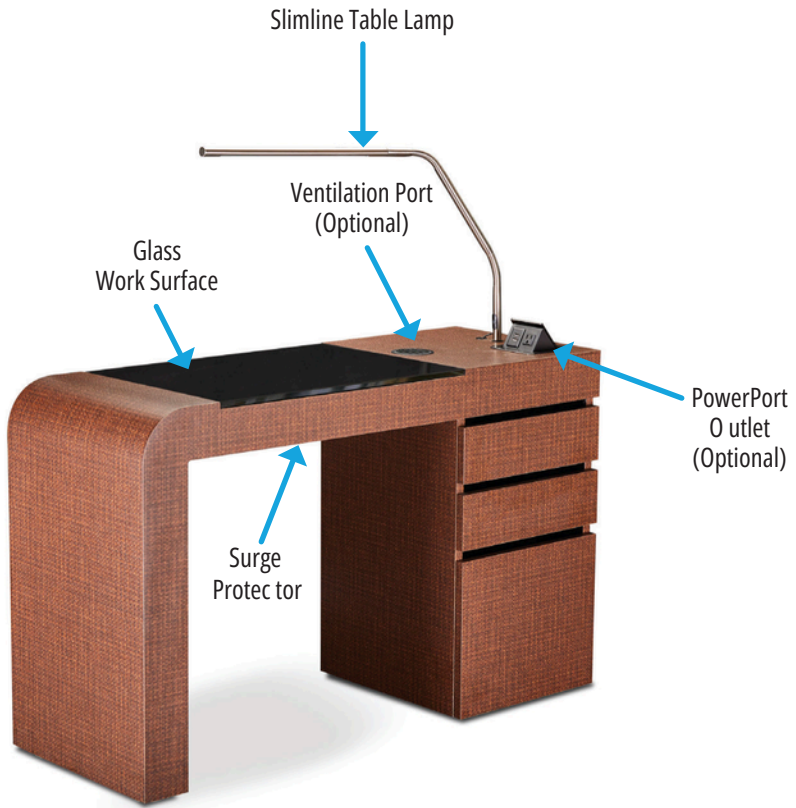


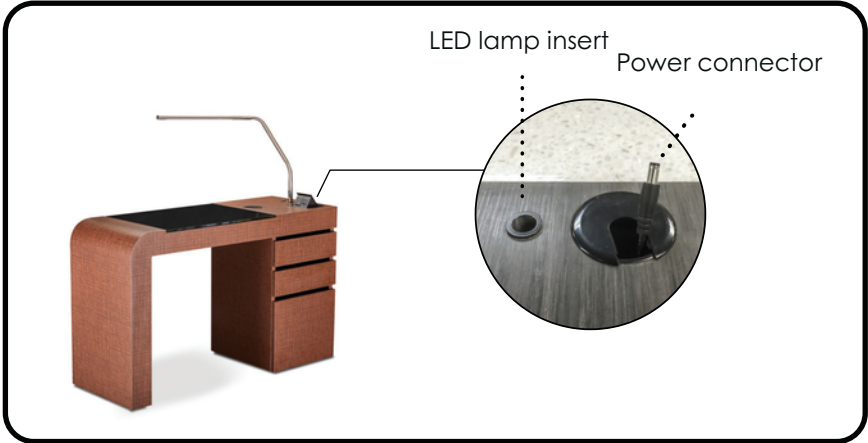
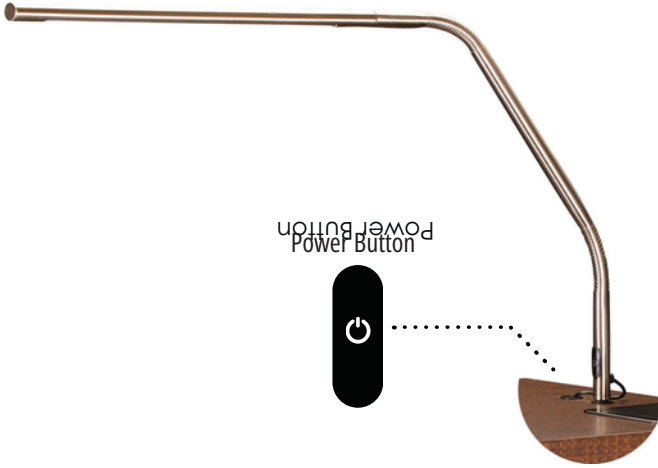


Product Overview



LED Slimline Table Lamp

The LED Slimline Table Lamp connects easily into the lamp insert on the top counter of your desk (see image below). The power connector clicks into the side of the lamp. After making both connections, the lamp is ready to use.

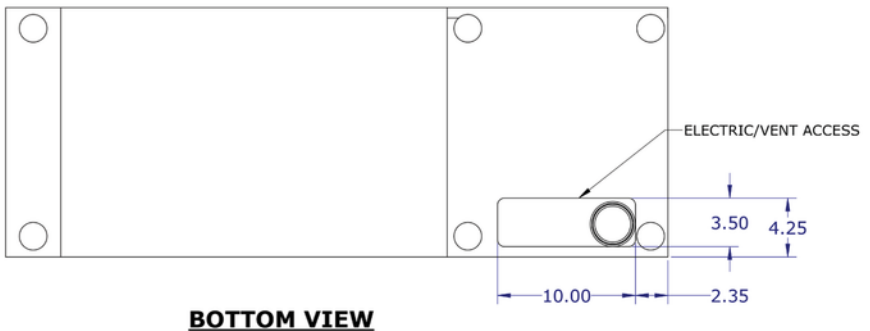
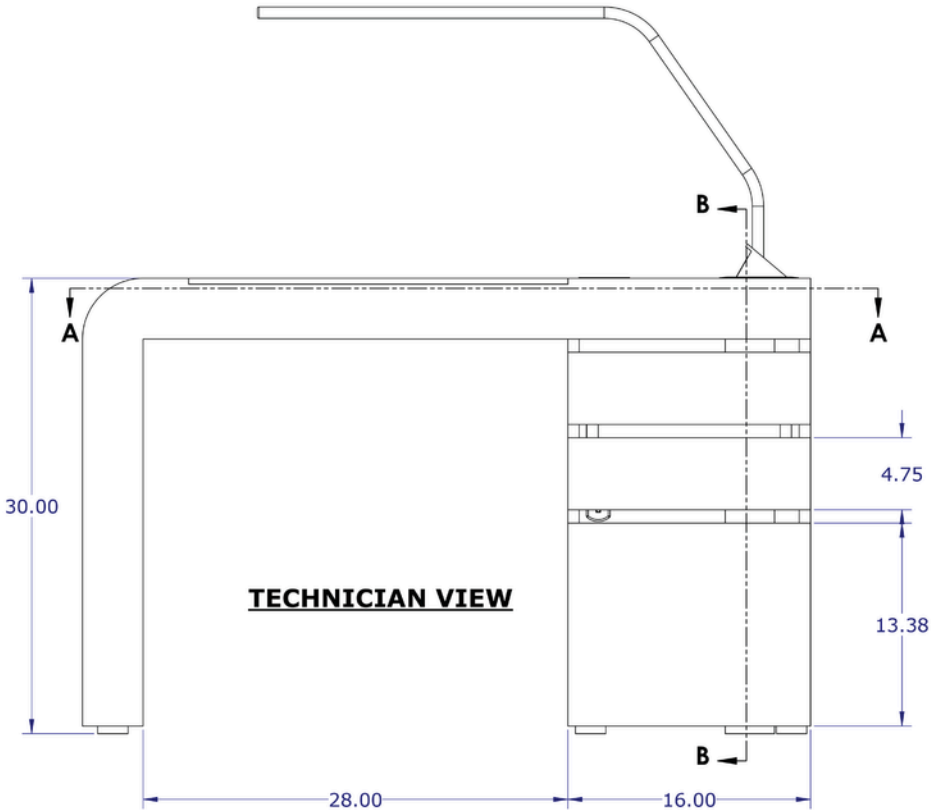


Ventilation System (Optional)

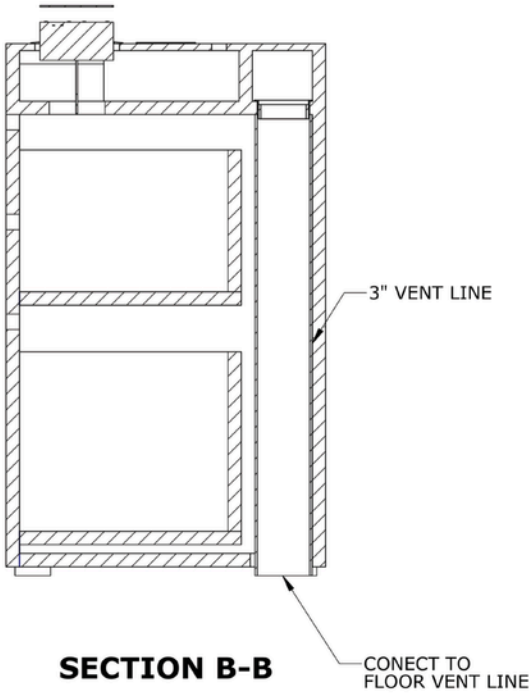
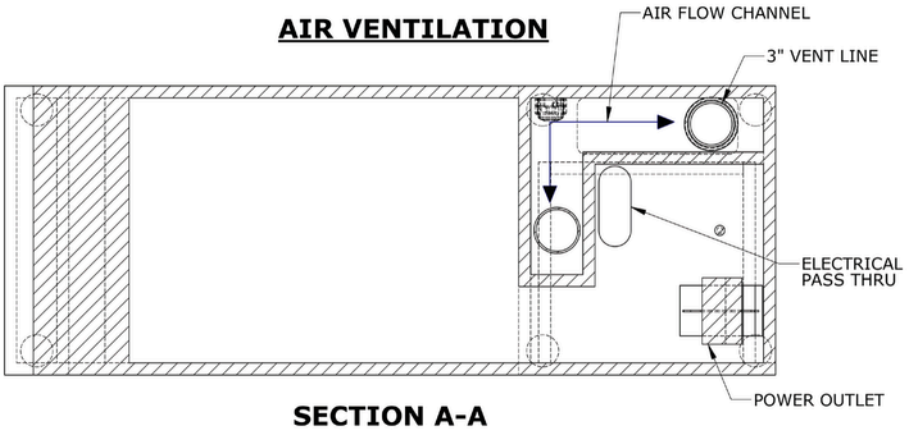
If you ordered the integrated ventilation system, it will need to be connected to a floor vent line. See technical drawings below showing connection points.

NOTE: INSTALLER/OWNER BEARS ALL RESPONSIBILITIES TO COMPLY WITH ALL STATE AND LOCAL CODES FOR ELECTRICAL AND VENTILATION WHEN INSTALLING THIS PRODUCT. FAILURE TO COMPLY WITH THESE INSTRUCTIONS MAY VOID WARRANTY.

A licensed electrician must make the electrical connections for this product.



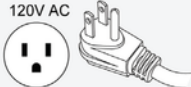
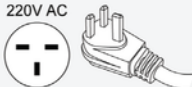

AIR VENTILATION



Laminate Care & Maintenance

- Clean anodized aluminum surfaces with warm water and mild soaps such as those used for hands or 409® Glass & Surface Cleaner and warm water with a mild soap such as those used for hands or dishes.
- Household cleaners, non-ammoniated detergents, or glass cleaners may be used.
- Stubborn stains may be removed with a thin, clean oil and a dry cloth.
- After cleaning, always wipe the surface completely dry with a soft, clean cloth.
- Do NOT use cleaners that contain abrasives, acids or alkalis, as they will mar the surface.
- Ammoniated detergents or petroleum-based cleaners should not be used to clean anodized aluminum surfaces.
- Do NOT clean metal face with solvents, paint thinner or adhesive remover.

Power Requirements

PLUG DESCRIPTION		
North America	Europe / UK	Asia
120V AC 	220V AC 	220V AC 

*Other plugs also available for various countries

Spec	North America	Eur ope/Asia
Input Voltage	120 VAC	220 VAC
Input Frequency	60 Hz	50 Hz
Power Port Rating	15 Amps Max	15 Amps Max

Notes



1-800-477-6655
buyritebeauty.com