

## WARNING

**Please read and follow all safety instructions carefully before using this product:**

1. Do not place the device upside down or tilt it when it is in operation; use it only on a level surface.
2. To protect against electrical shock, do not immerse cord, plugs, or appliance in water or other liquid.
3. Please strictly use the power supply with the rated voltage and frequency indicated on the product nameplate. Incorrect voltage may cause fire or electric shock.
4. Do not start the device without water in the water jar. Doing so may cause damages to the unit.
5. Please only use the dedicated foam liquid or cleaner recommended by the manufacturer. Using the wrong liquid may cause machine failure, produce dangerous gases or damage components.
6. Do not block the nozzle outlet or apply additional pressure when the equipment is in operation to avoid abnormal increase in internal pressure. In case of accidental leakage or overflow of liquid, stop using it immediately, disconnect the power supply, and thoroughly clean the equipment after it has completely cooled down.
7. Do not touch the water tank when it is hot.
8. An appliance should never be left unattended when plugged in. Close supervision is necessary when any appliance is used by or near children.
9. Never operate this appliance if it has a damaged cord or plug, if it is not working properly, or if it has been dropped, damaged, or dropped into water.
10. If the equipment emits abnormal sounds, odors, smoke or obvious liquid leakage is detected, please stop using it immediately and unplug the power cord.
11. Do not use an extension cord with this appliance.
12. Make sure to drain the water if the device is left not in use for a long time.
13. This device has been thoroughly tested and examined. In case of any malfunction, please contact your local distributors. Non-authorized repair or tampering will invalidate the warranty.

## Maintenance records

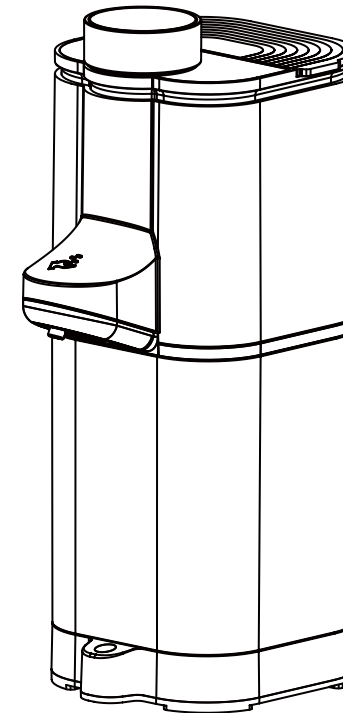
Repair date:	Date of inspection:
Failure, maintenance, handling of:	
Maintenance units:	Repairer's signature:

CE  RoHS  Made in China

# User's Manual

**pibbs**<sup>®</sup>

Model: PLM-24



## AUTOMATIC HOT LATHER DISPENSER

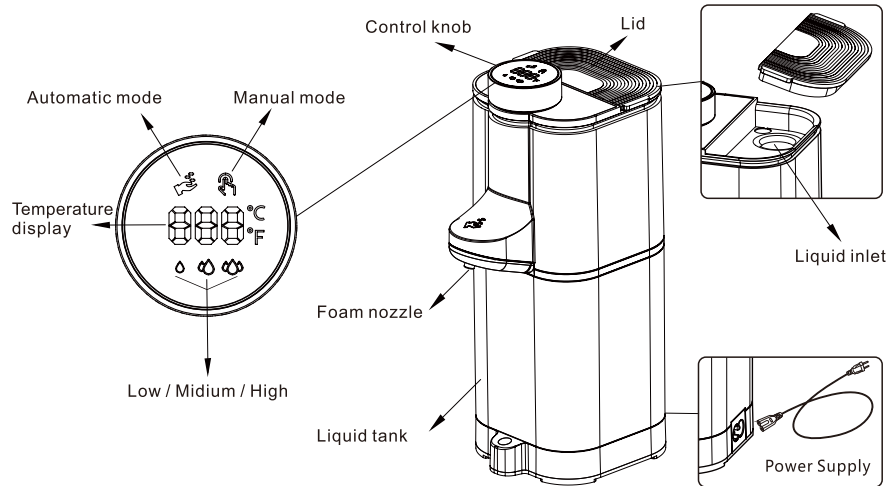
Designed by and for Professional Barbers



## ABOUT THIS MANUAL

Before installing and using this unit, please read this manual carefully. Be sure to keep it available for later reference.

## Pibbs Lather Machine



## Product Specification & Parameters

Product Name	Automatic hot lather dispenser
Product model	PLM-24
Input	AC 120V 60Hz
Equipment power	80 W
Product size	126x92x232 mm
Net weight of the product	0.6 Kg
Liquid tank capacity	400ml

## OPERATIONS

### • AUTOMATIC MODE

1. **Remove the lid, and fill the tank with liquid soap.** Make sure the liquid level is between the MAX and MIN marks. Cover the lid after filling the tank.



2. **Connect the power supply**, the device will display " [ ] " as standby mode. Click the button and the device will enter automatic sensing mode. The default temperature will be 131°F, and the default foam level will be Medium, shown as " [ ] ".
3. **To adjust the set temperature**, turn the knob clockwise to raise the temperature up to 150°F (70°C), or turn the knob anti-clockwise to reduce the temperature down to 104°F (40°C). By default, the temperature is shown in "°F" (Fahrenheit), if you wish it to show in "°C" (Celsius) instead, turn the knob counterclockwise until it displays "OFF", then click the button and it will display " [ ] " entering standby mode. Press and hold the button for 2 seconds to switch the Fahrenheit to Celsius.
4. **To adjust foam volume** (under automatic mode only), click the button and the foam volume can be adjusted among the 3 settings of LOW (shown as " [ ] "), MEDIUM (shown as " [ ] "), and LARGE (shown as " [ ] ").
5. **To switch between Automatic mode and Manual mode**, press and hold the button for 2 seconds until you see the icon of the desired working mode. " [ ] " means automatic mode, " [ ] " means manual mode.

When the above settings are completed, it may take about 10 minutes for the liquid soap being heated, then the unit will be ready to serve. Place an empty foam container under the foam nozzle, the device will automatically sense it and dispense hot lather in your desired temperature and volume.

### • MANUAL MODE

1. **Switch the device to the MANUAL mode**, The " [ ] " light will illuminate.
  2. **Turn the knob to set the desired temperature**, and the unit will start to heat up the liquid until reaching the set temperature.
  3. **Click the button and it will start to dispense hot lather**, click it again it will stop dispensing hot lather.
- To turn off the unit**, turn the knob counterclockwise until it shows "OFF", click the knob and it will show " [ ] " which means it entered standby state.

## CLEAN AND MAINTAINING

1. Please turn off the machine and disconnect the power supply before cleaning the equipment.
2. It is strictly prohibited to rinse or soak the equipment or any components with water! (Important Note: This device is not waterproof.)
3. You can wipe the dust and dirt on the equipment with a damp towel.
4. Do not use irritating chemicals, bleach, strong acid or alkali cleaners, steel wool, hard brushes or sharp objects for cleaning to avoid damaging the shell or surface.
5. If the equipment is not used for a long time, be sure to drain the water from the water storage tank, then pour in clean water to rinse it and let it dry.