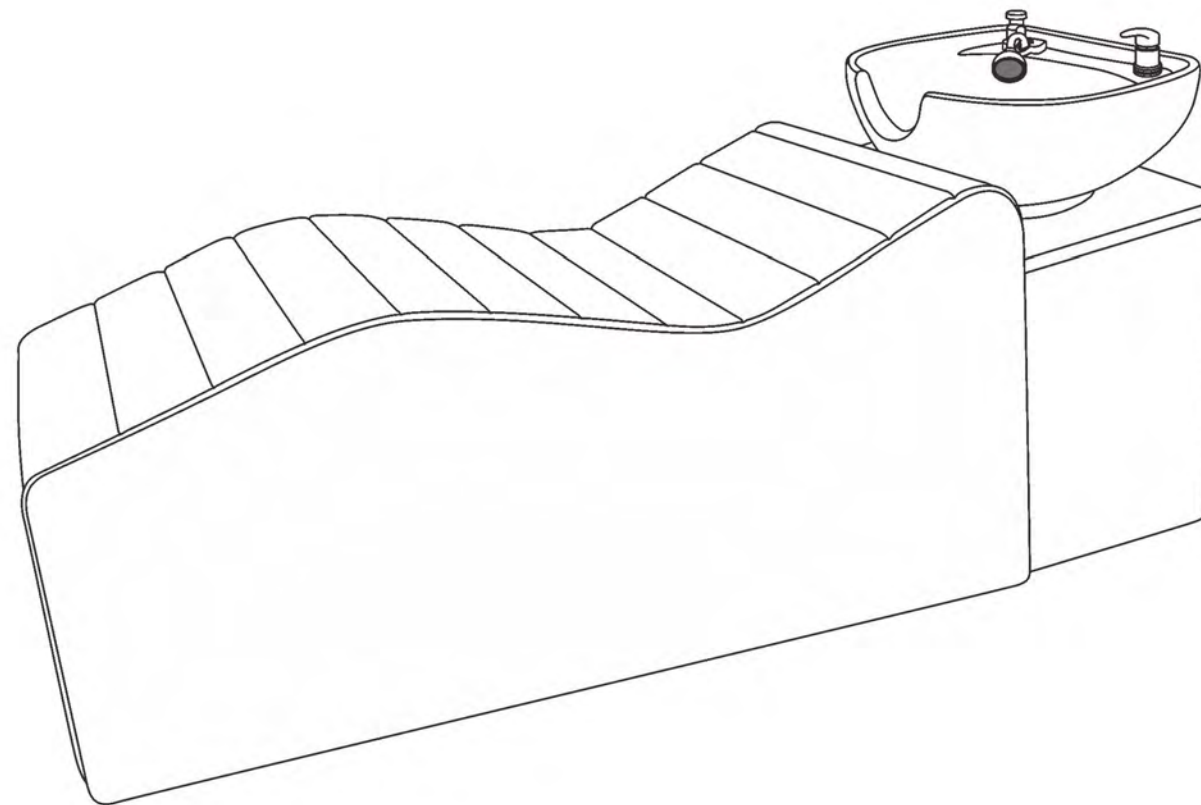


EST.1936

Buy-Rite
SALON & SPA
EQUIPMENT

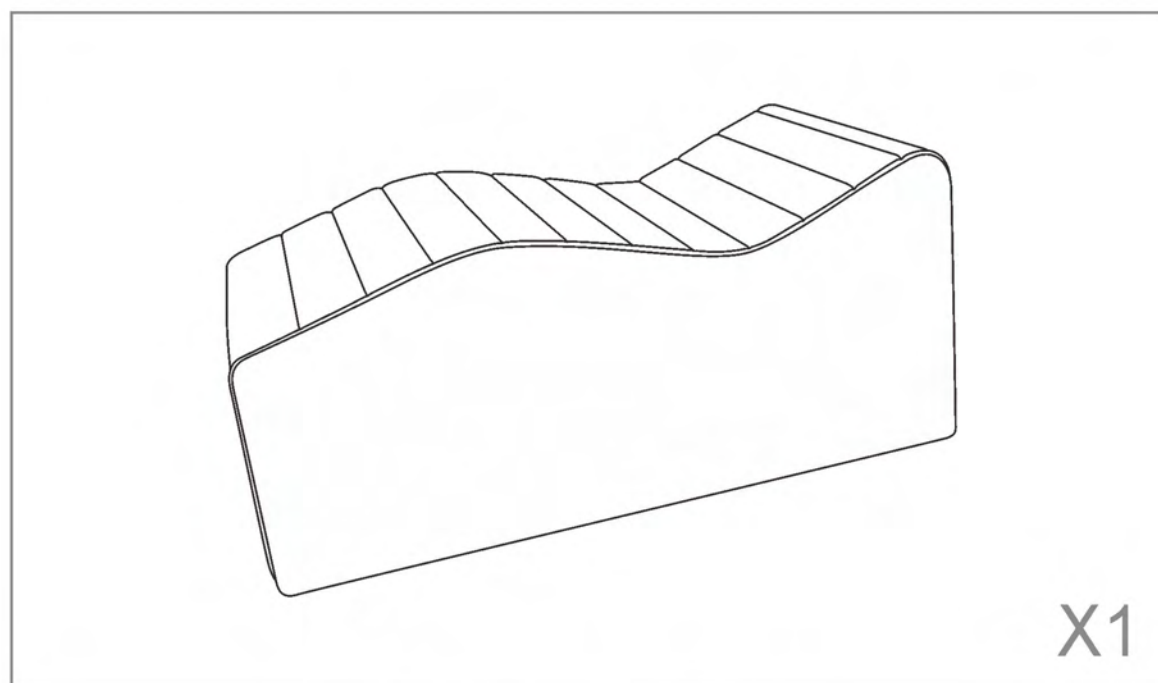
1-800-477-6655
buyritebeauty.com

SOLACE HEAD SPA SHAMPOO BED
NB-F-044
INSTRUCTION MANUAL



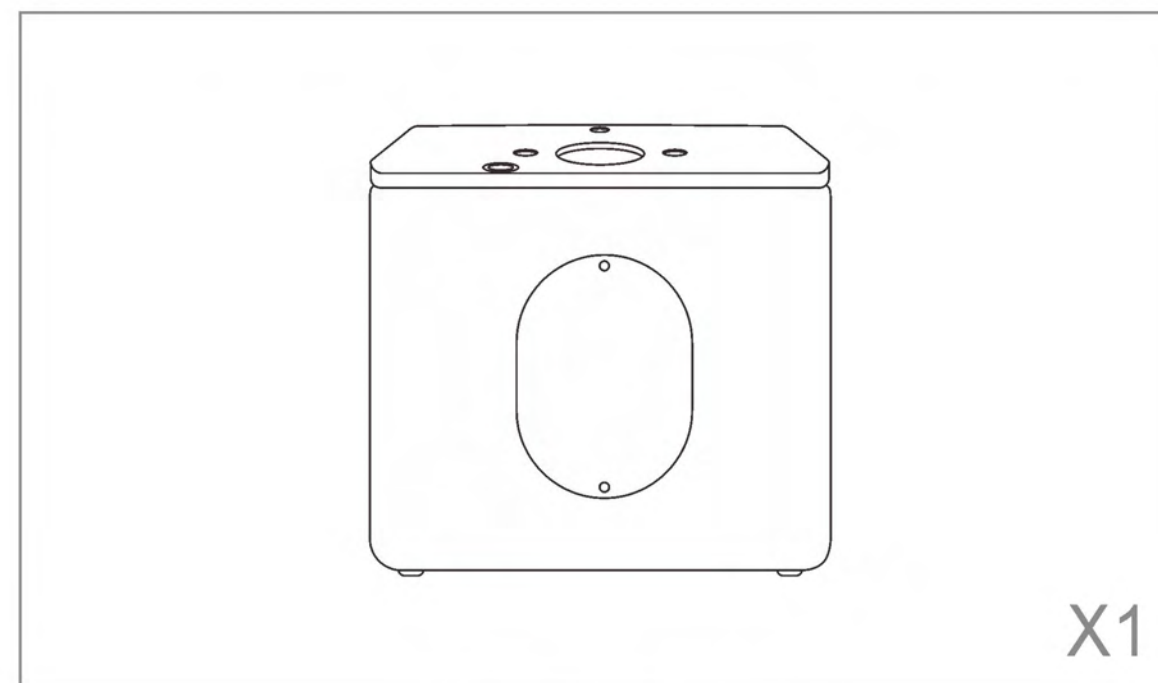
If you purchased the Solace stand alone chair, these instructions do not apply, as no assembly is required.

List of Parts & Tools



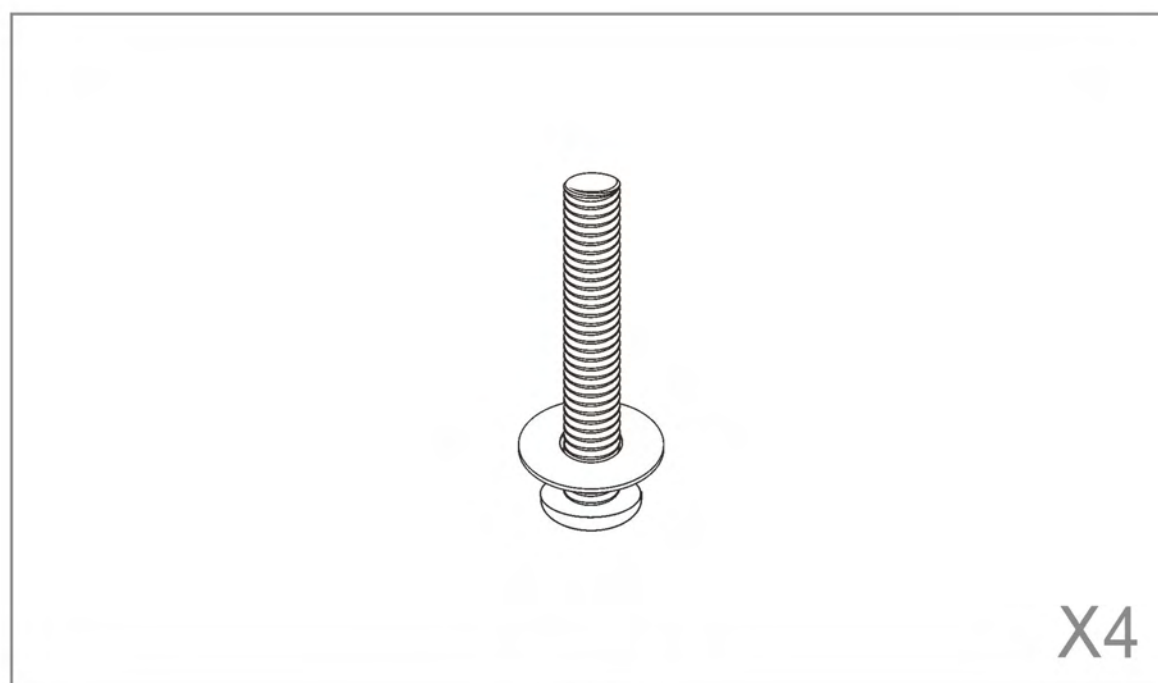
X1

Shampoo Bed



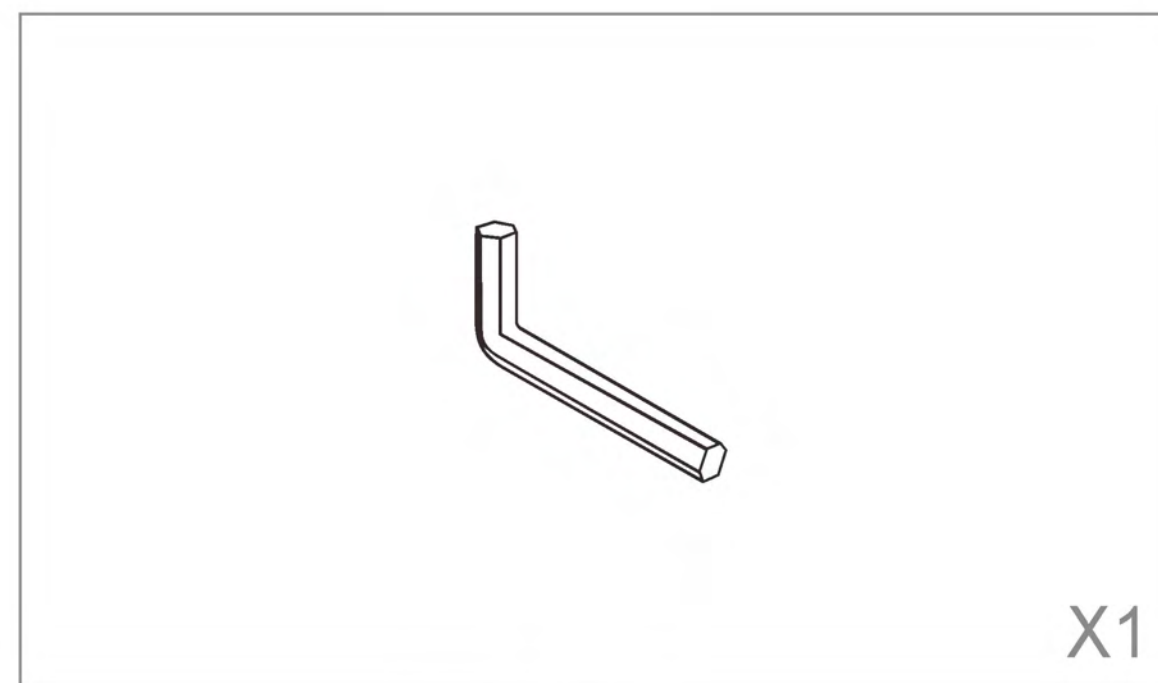
X1

Vera Pedestal



X4

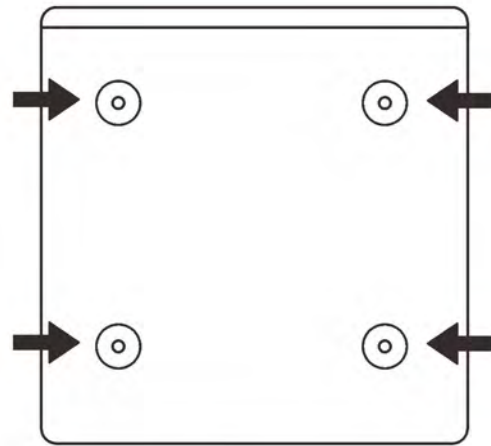
M8X45



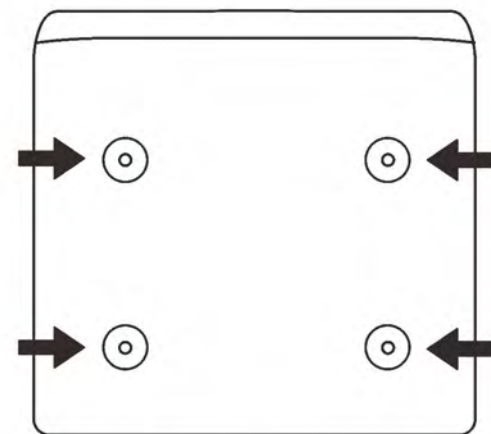
X1

75mm

Step 1



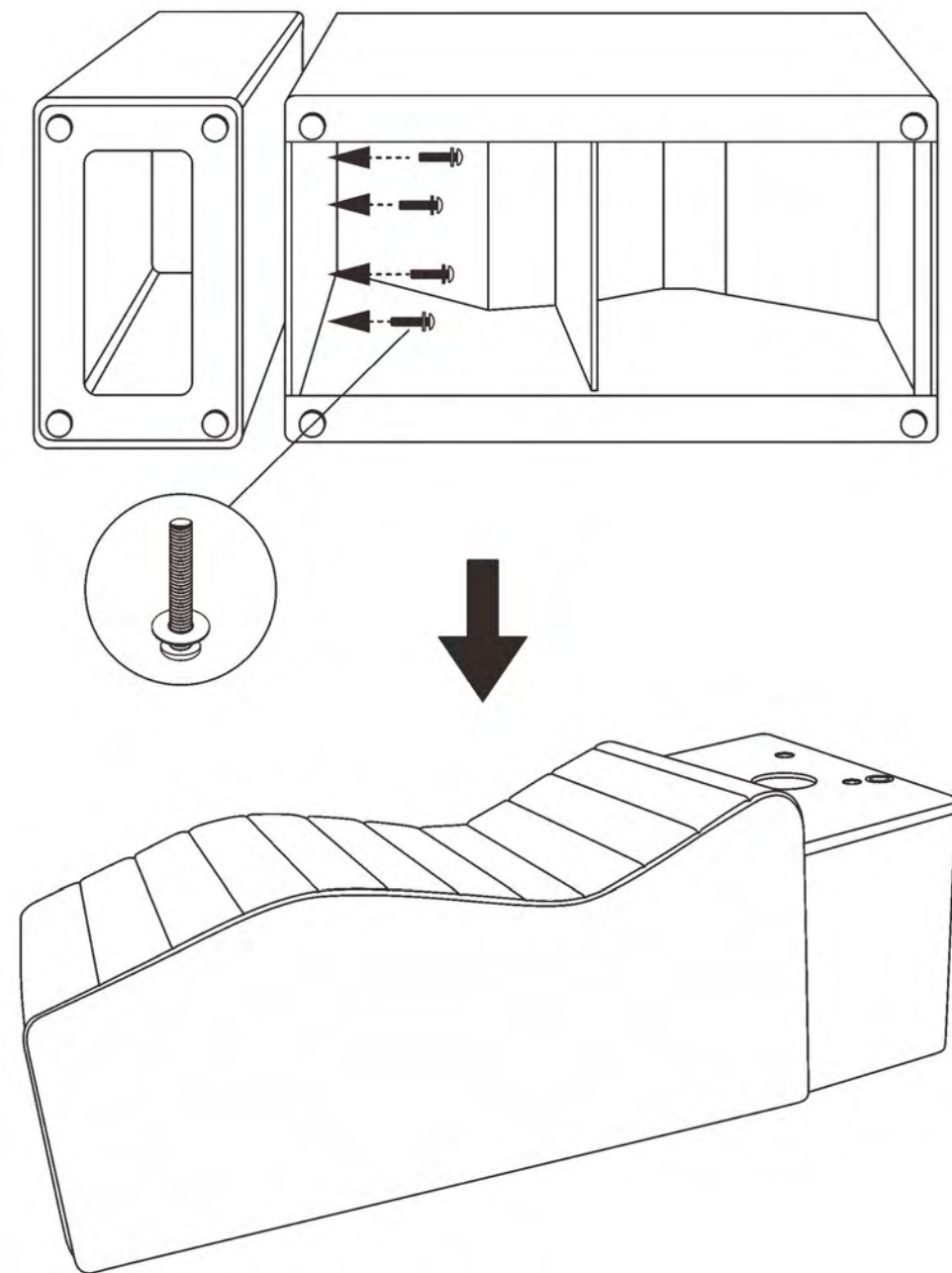
Pedestal



Shampoo Bed

Remove the four screw covers from the back of the shampoo bed and the four screw covers from the front of the pedestal.

Step 2

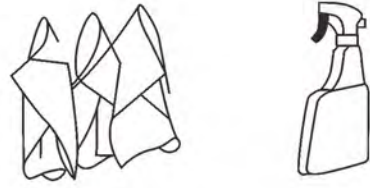


Carefully lay the shampoo bed and pedestal on their side. Insert and tighten the four screws from inside the shampoo bed to secure the pedestal.

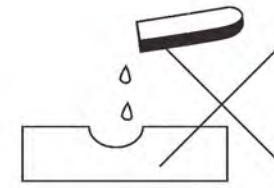
Product care



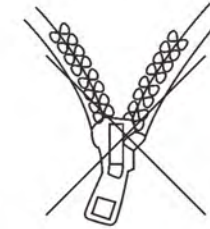
Brush away excess hair



Clean surface with damp cloth or use simple soap & water solution



Avoid using corrosive cleaning agents such as bleaches



Do not remove upholstery for cleaning

Product Information

1. Enjoy your new Shampoo Bed!
2. Local jurisdiction may have its own code for how plumbing needs to be installed. To maintain a valid warranty, you must have a licensed plumber perform the installation.
3. Buy-Rite Beauty is not liable for the installation of the Shampoo Bed. Please select the appropriate mounting hardware based on your specific floor type. Please ensure that a licensed contractor is used for proper mounting.
4. Ensure the drain hose is installed with a downward slope to allow gravity to provide proper drain drainage.
5. If you have any questions or concerns, please contact our customer experience team at 912-335-4445.