

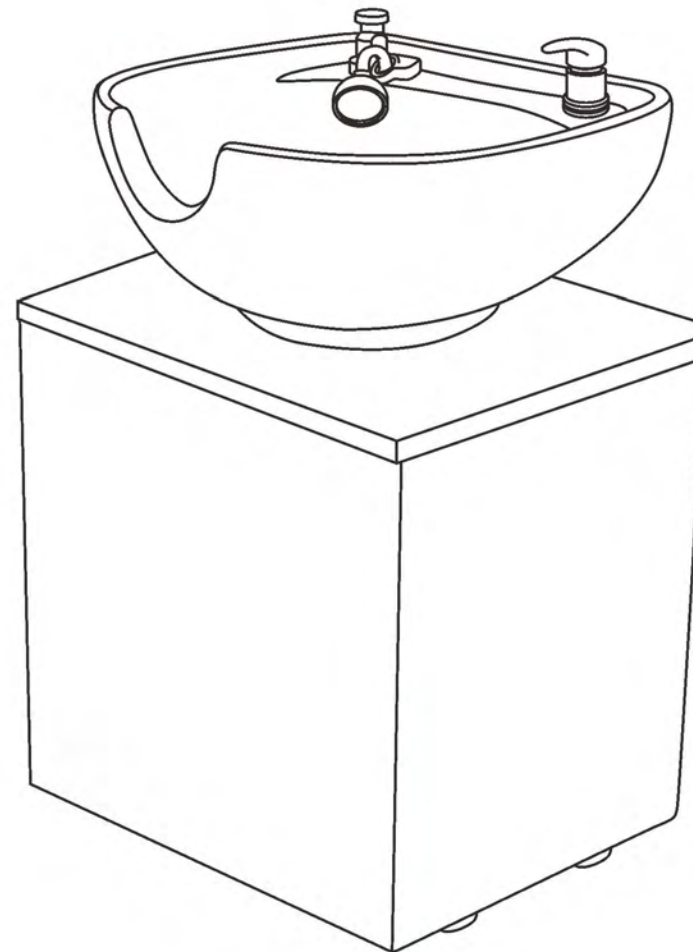


1-800-477-6655
buyritebeauty.com

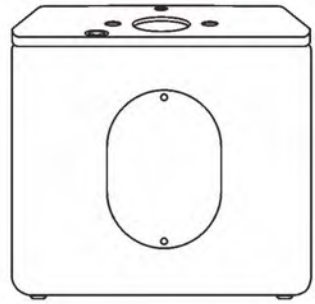
VERA PEDESTAL SHAMPOO UNIT

NIN-0481A

INSTRUCTION MANUAL



List of Parts & Tools



X1

Shampoo Pedestal



X1

Porcelain Bowl



X1

Shampoo Nozzle
& Shampoo Hose



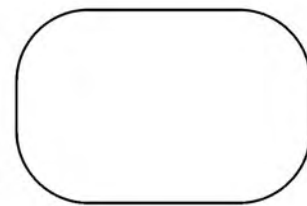
X1

Shampoo Fixture



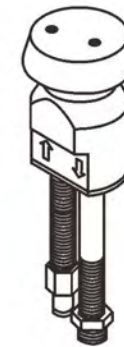
X1

Receiver Plate



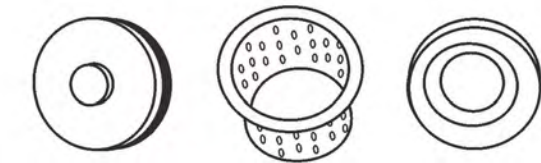
X1

Neck Rest



X1

Vacuum Breaker



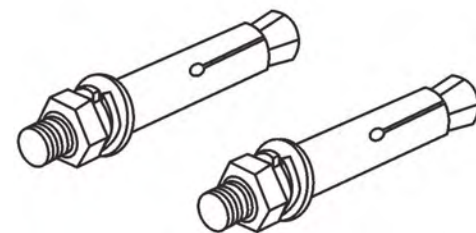
X1

Strainer Basket



X1

Drain Hose



X4

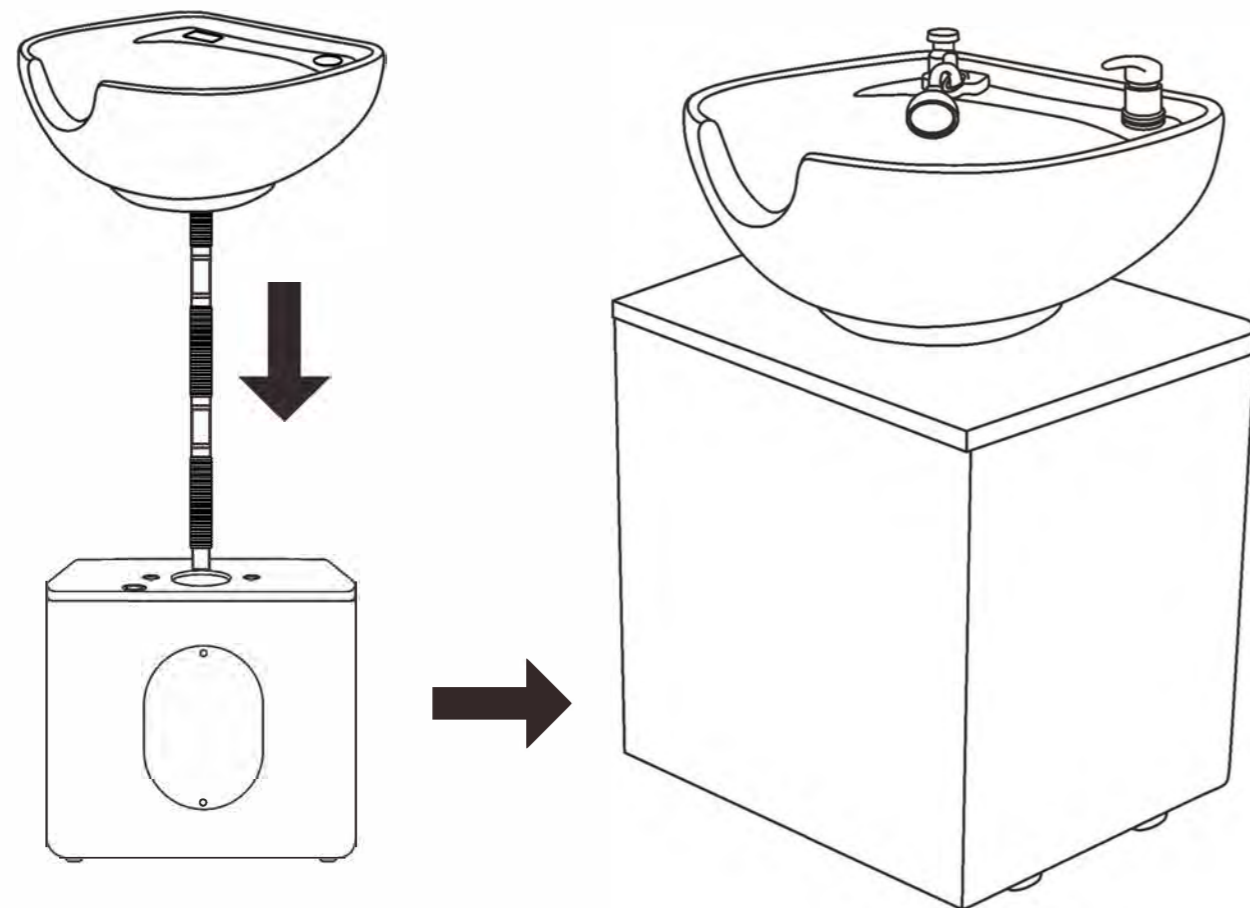
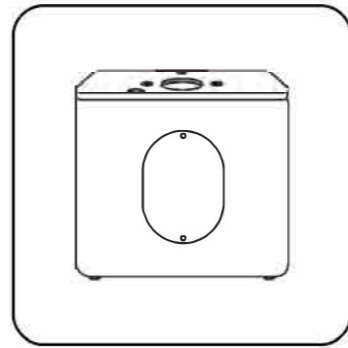
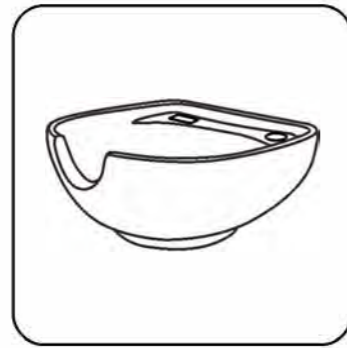
Concrete Mounting
Hardware



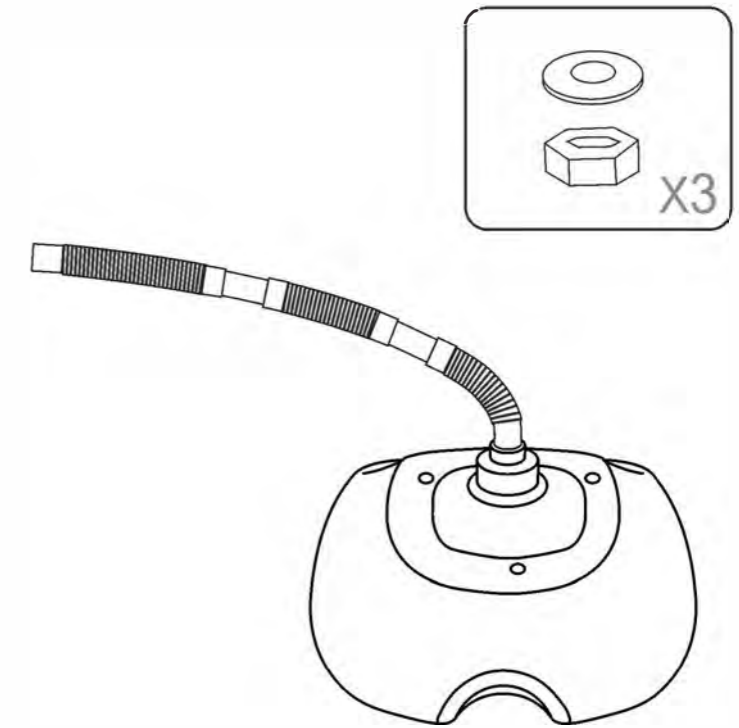
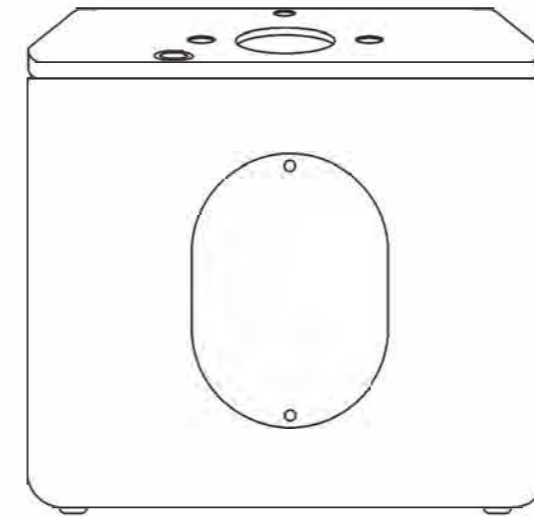
X1

Vacuum Breaker Hose

Step 1

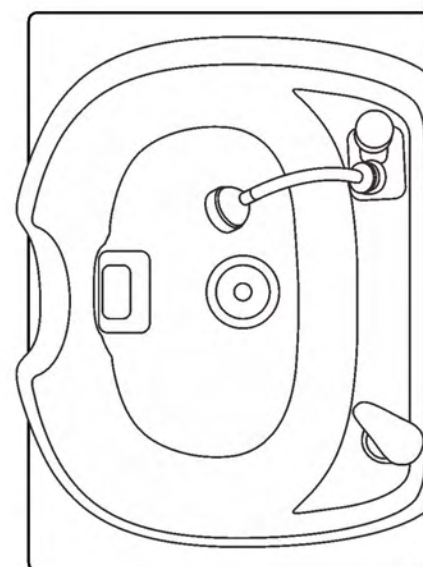
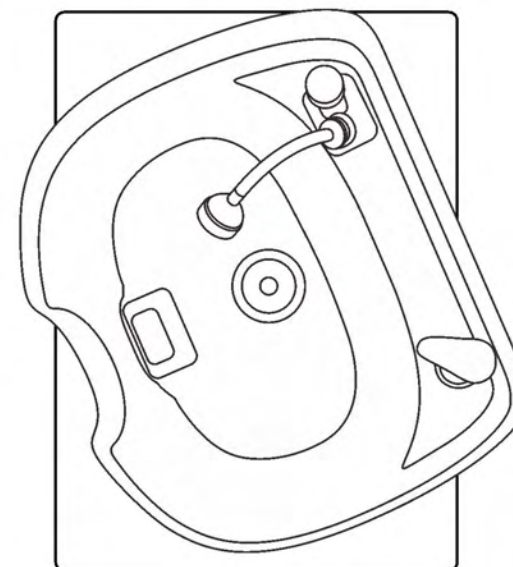
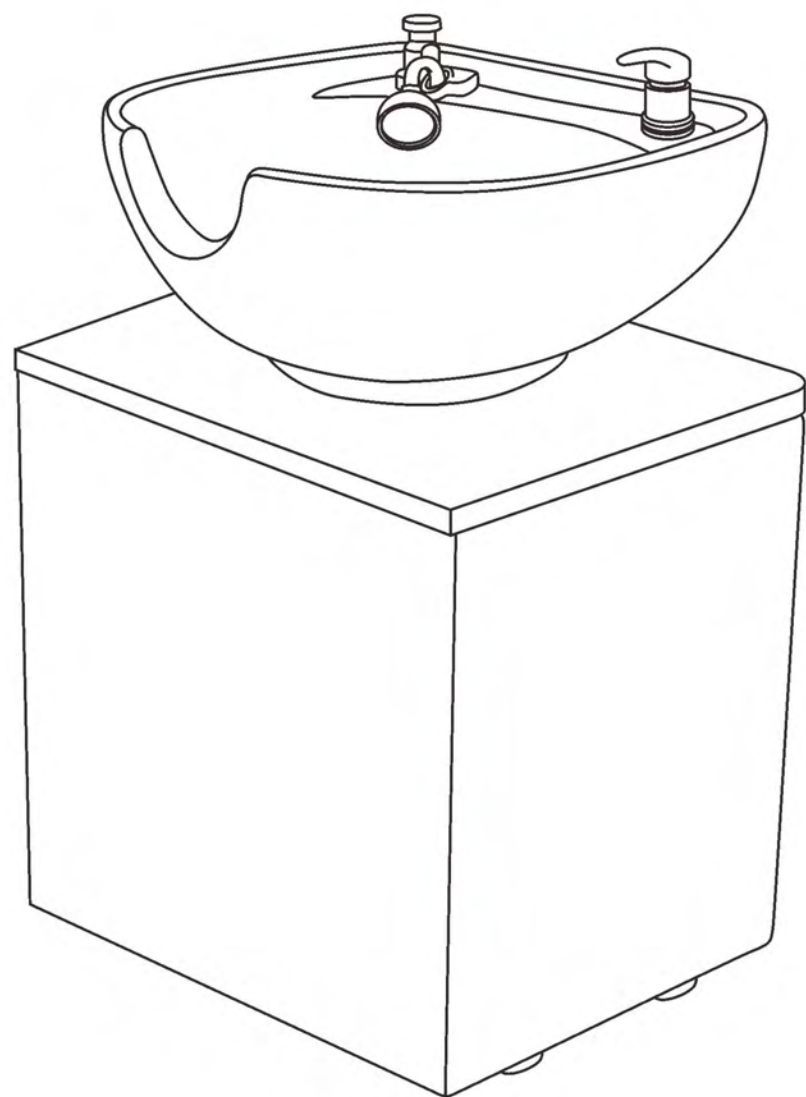


Step 2

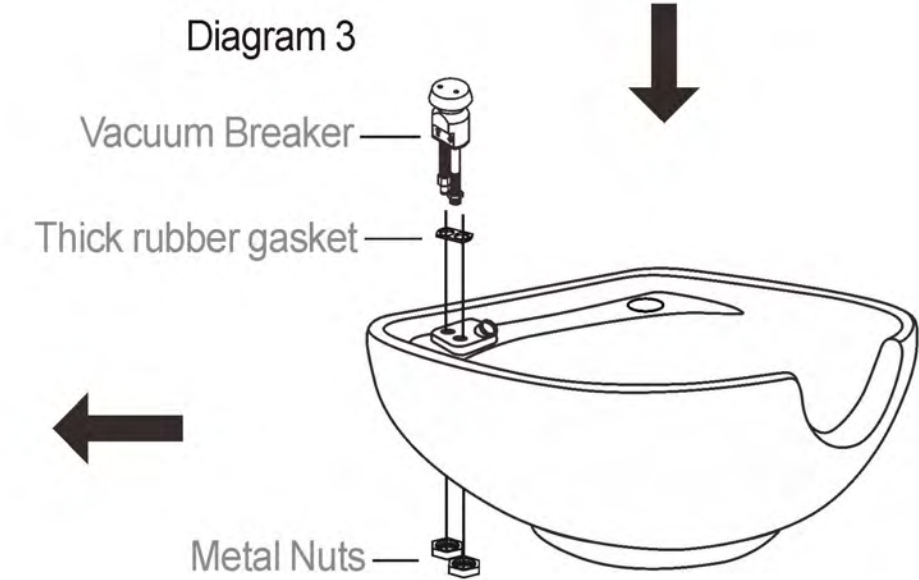
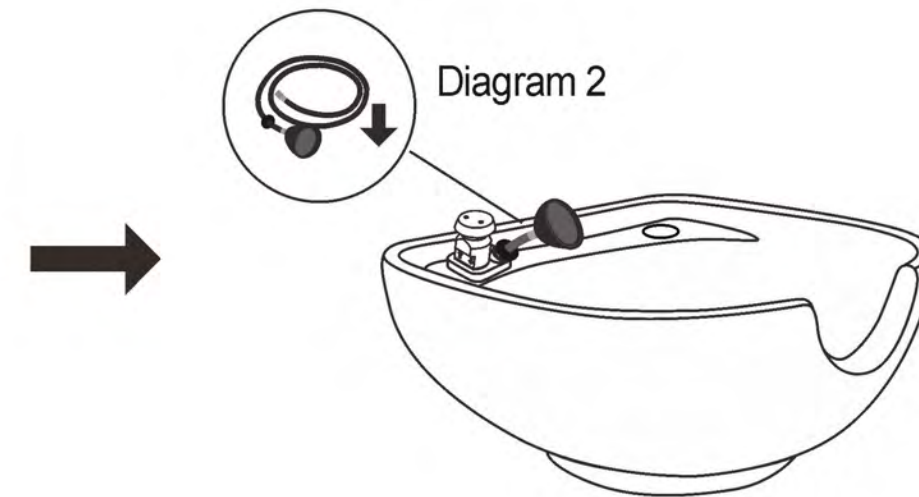
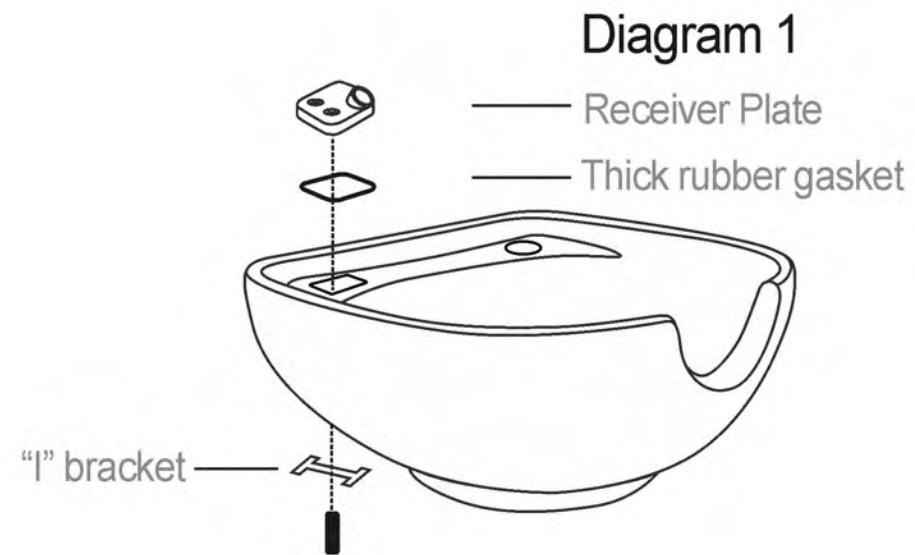
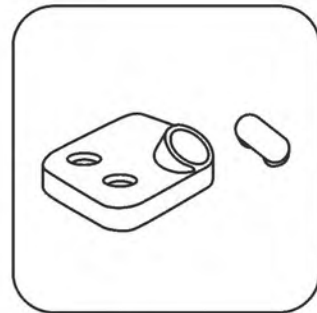
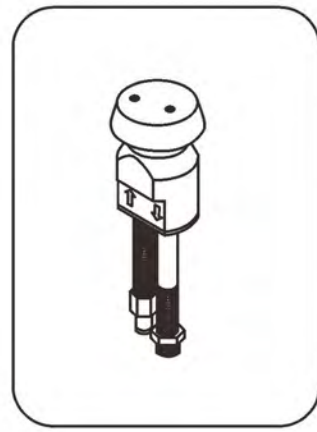


1. To attach the shampoo bowl to the shampoo pedestal, begin by removing the plumbing access panel located in the back of the shampoo unit and set aside until installation is complete. Attach the Drain Hose to the bottom of the Drain Assembly using the adjustable clamp. If you notice any leaks, apply plumber's putty or Teflon tape as needed to ensure a watertight seal at your licensed plumber's discretion.
2. Next, take the shampoo bowl and ensure that it is facing forward. Remove the three large washers and nuts from the bottom of the shampoo bowl. Ensure the bolts on the bottom of the shampoo bowl align with the holes in the top of the pedestal.
3. Once the shampoo bowl is aligned and seated on the Shampoo pedestal, attach the shampoo bowl from the inside of the pedestal using the three large washers and nuts provided. Twist the nuts clockwise to tighten until secure.
4. The Shampoo Pedestal must be securely mounted to the floor. Please select the appropriate mounting hardware based on your specific floor type. Buy-Rite Beauty is not liable for the installation of the Shampoo pedestal. Please ensure that a license contractor is used for proper mounting.

Step3



Step4

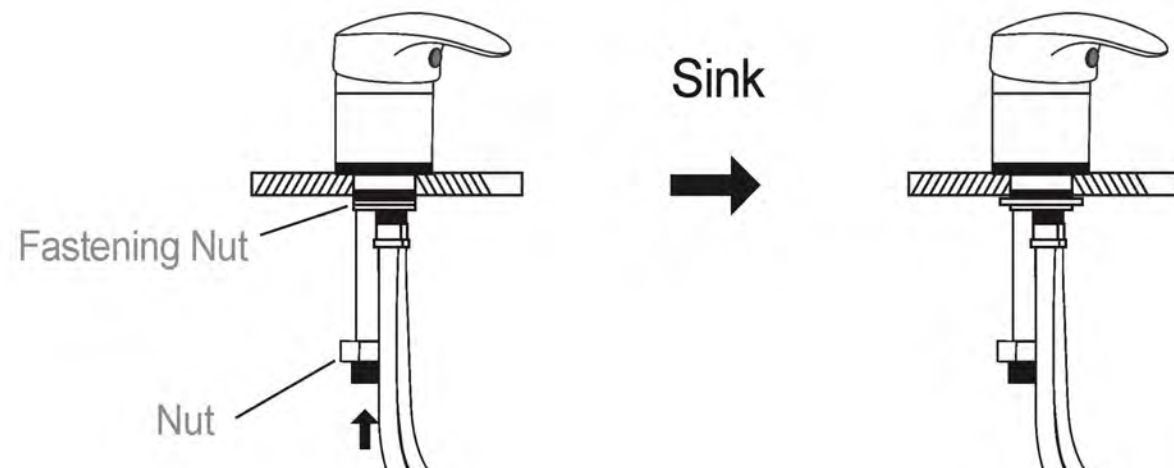
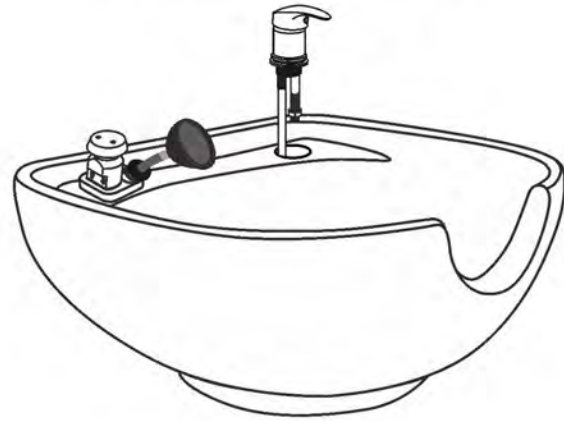


1. Attach the receiver plate to the shampoo bowl using the metal "I" bracket and nut provided as shown in diagram one.
2. Once the receiver plate is attached, install the shampoo hose and shampoo nozzle that will rest in the receiver plate as shown in the diagram two.
3. Unscrew the two metal nuts from the bottom of the vacuum breaker. Once the metal nuts have been removed, place the vacuum breaker in the receiver plate and reattach the nuts from underneath to tighten. See diagram three above.

Step 5

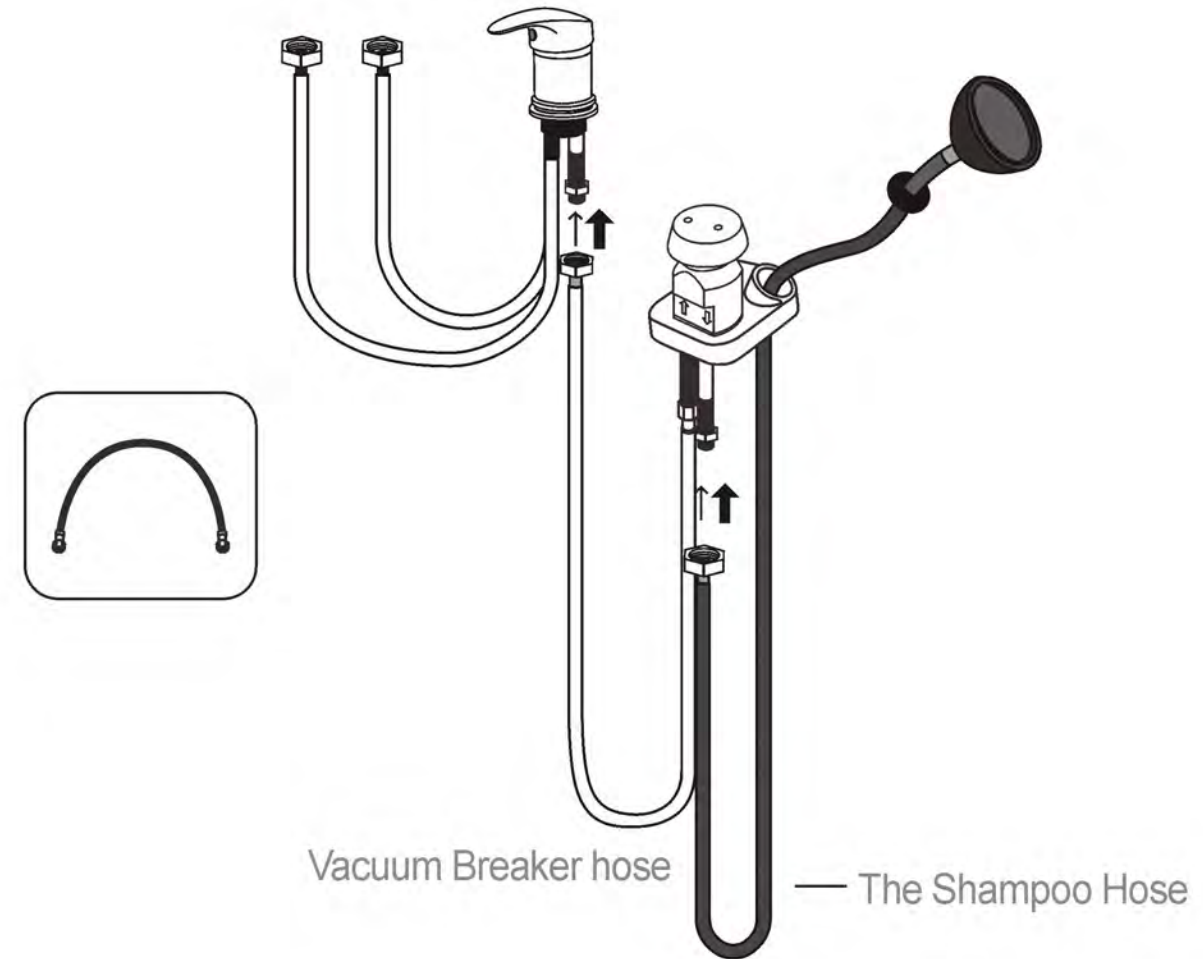


Shampoo Fixture

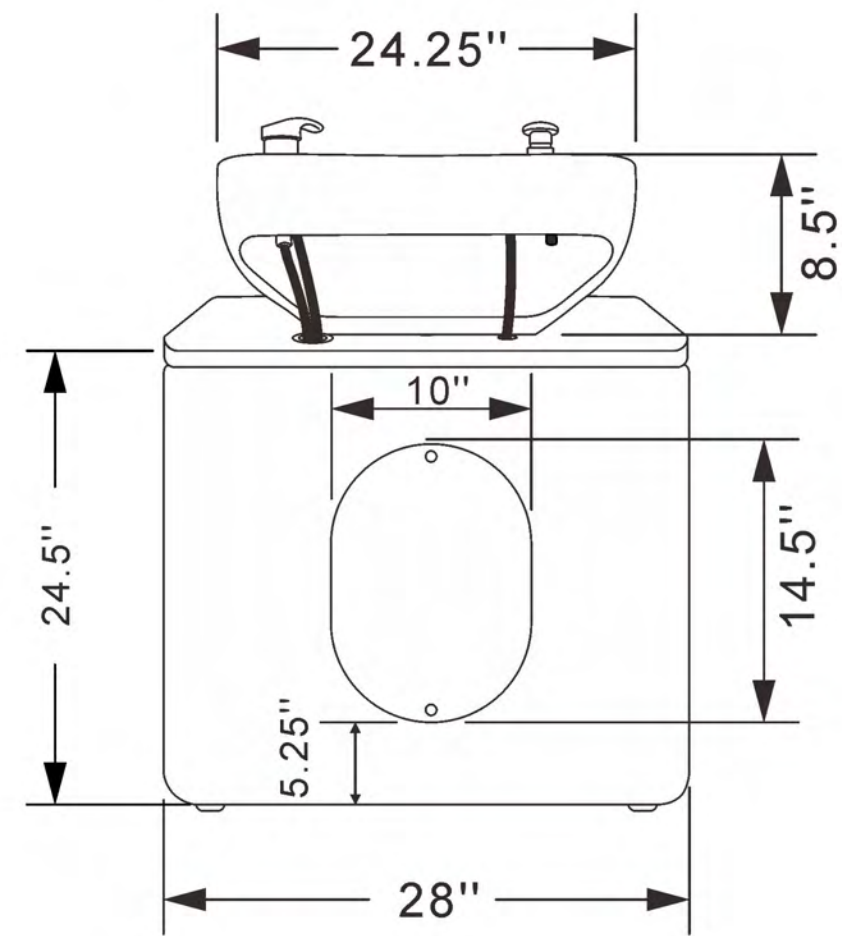
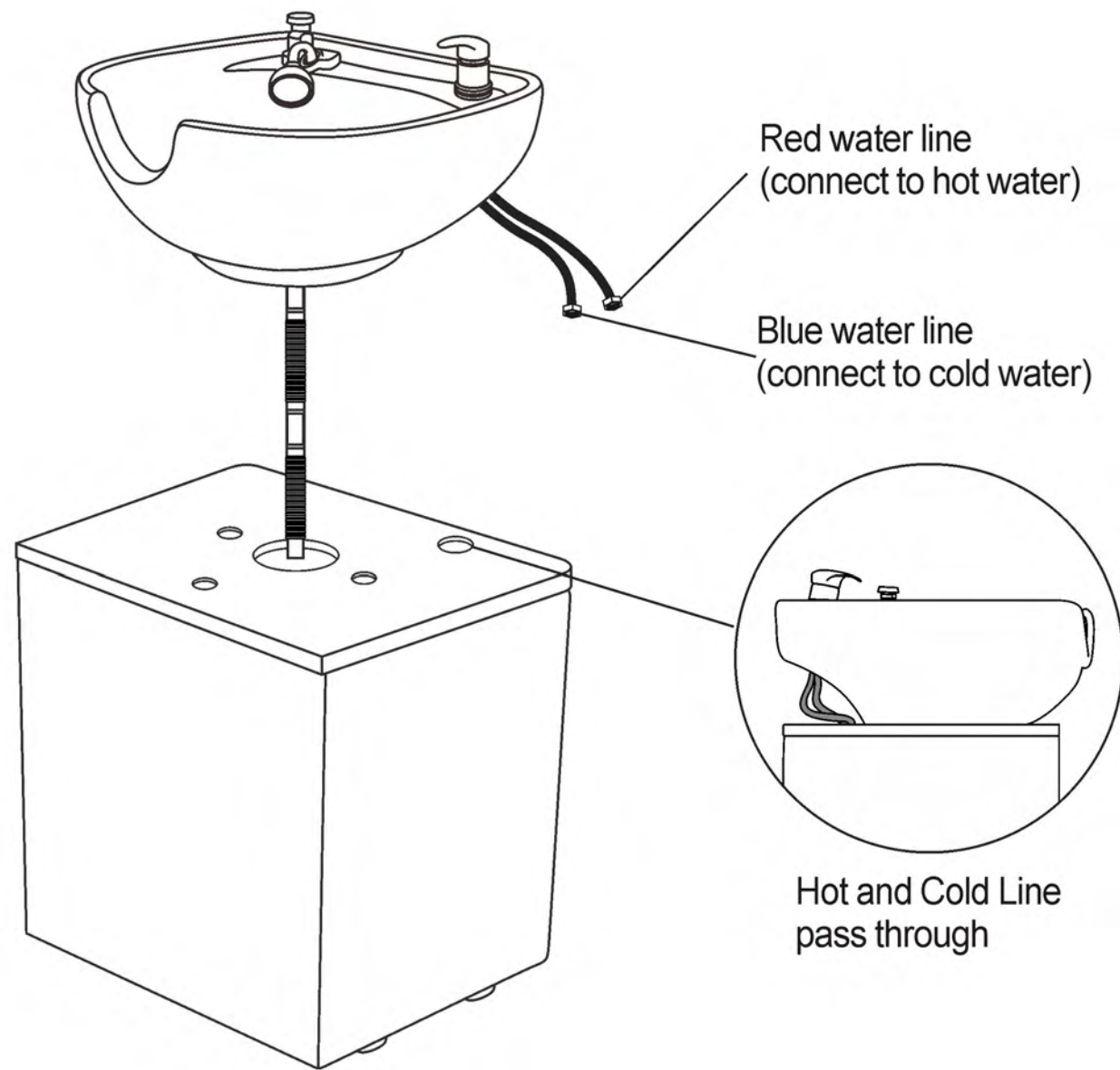


1. Loosen the small nut located at the bottom of the shampoo fixture, then remove the fastening nut from the top of the fixture.
2. Position the fixture onto the shampoo bowl once the fastening nut has been removed. Then, reattach and tighten the fastening nut to secure the fixture in place. See diagram above.

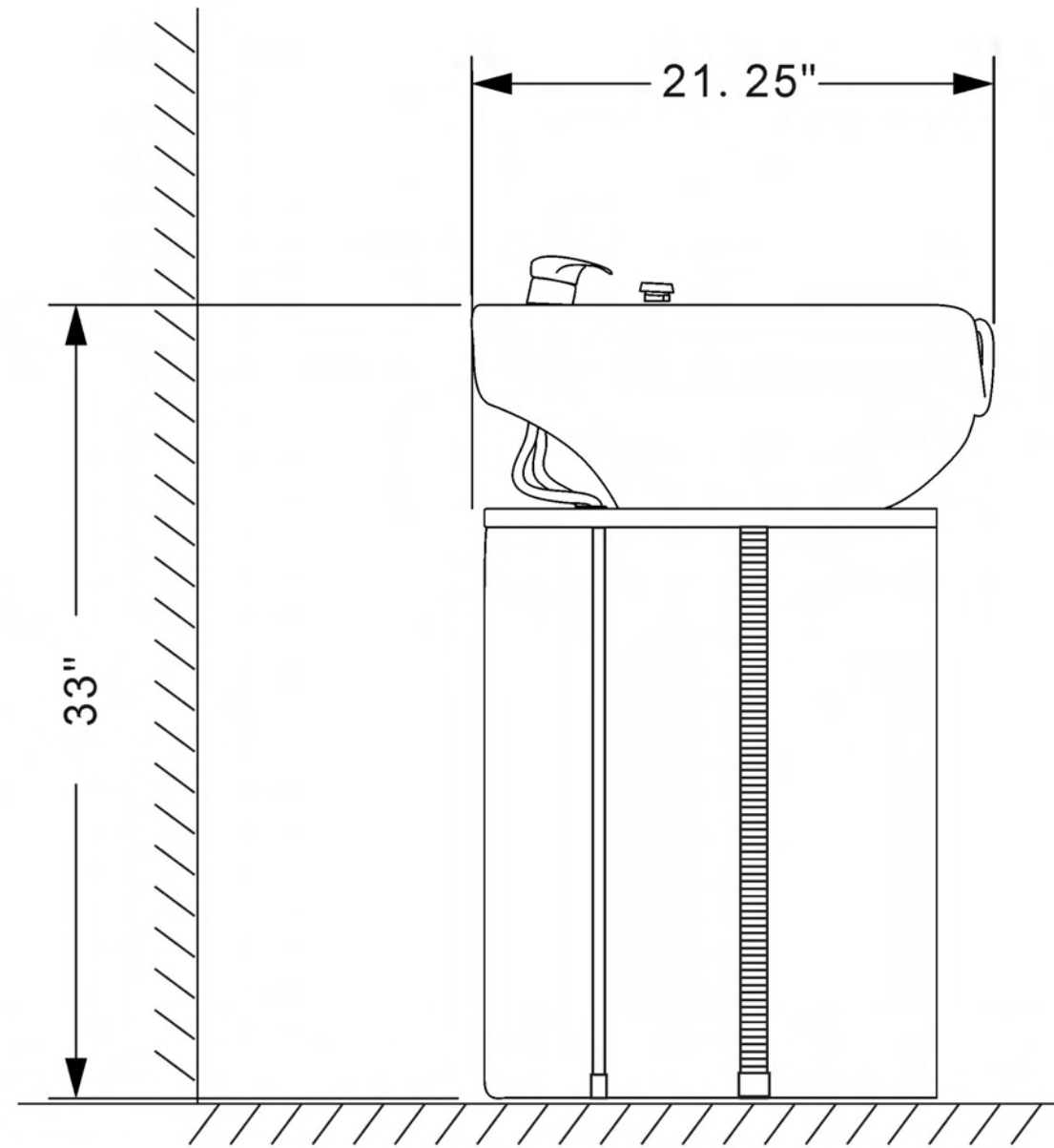
Shampoo Hose and Vacuum Breaker Hose



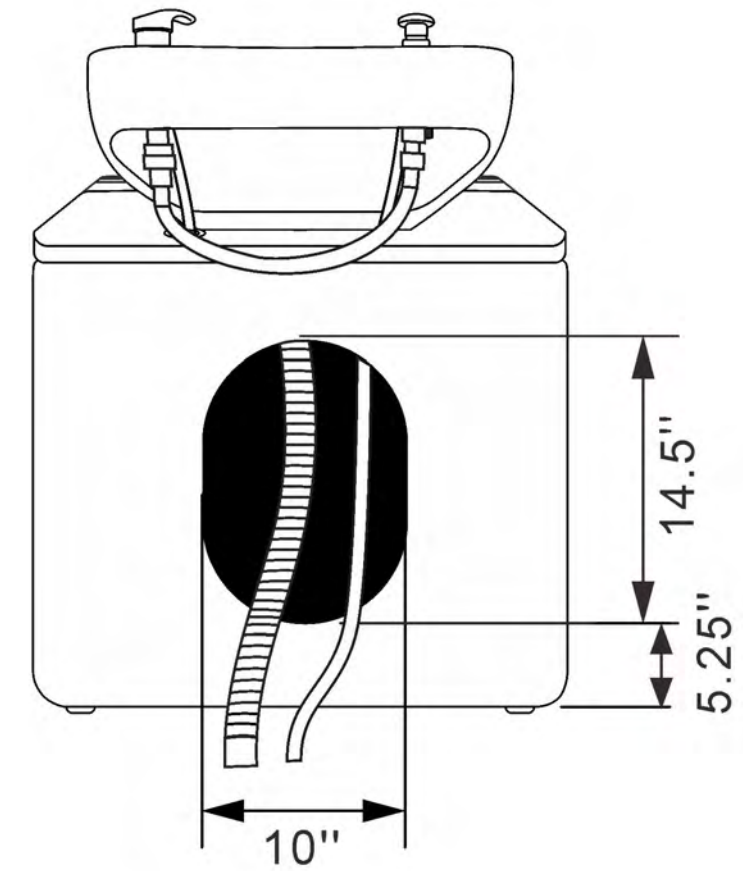
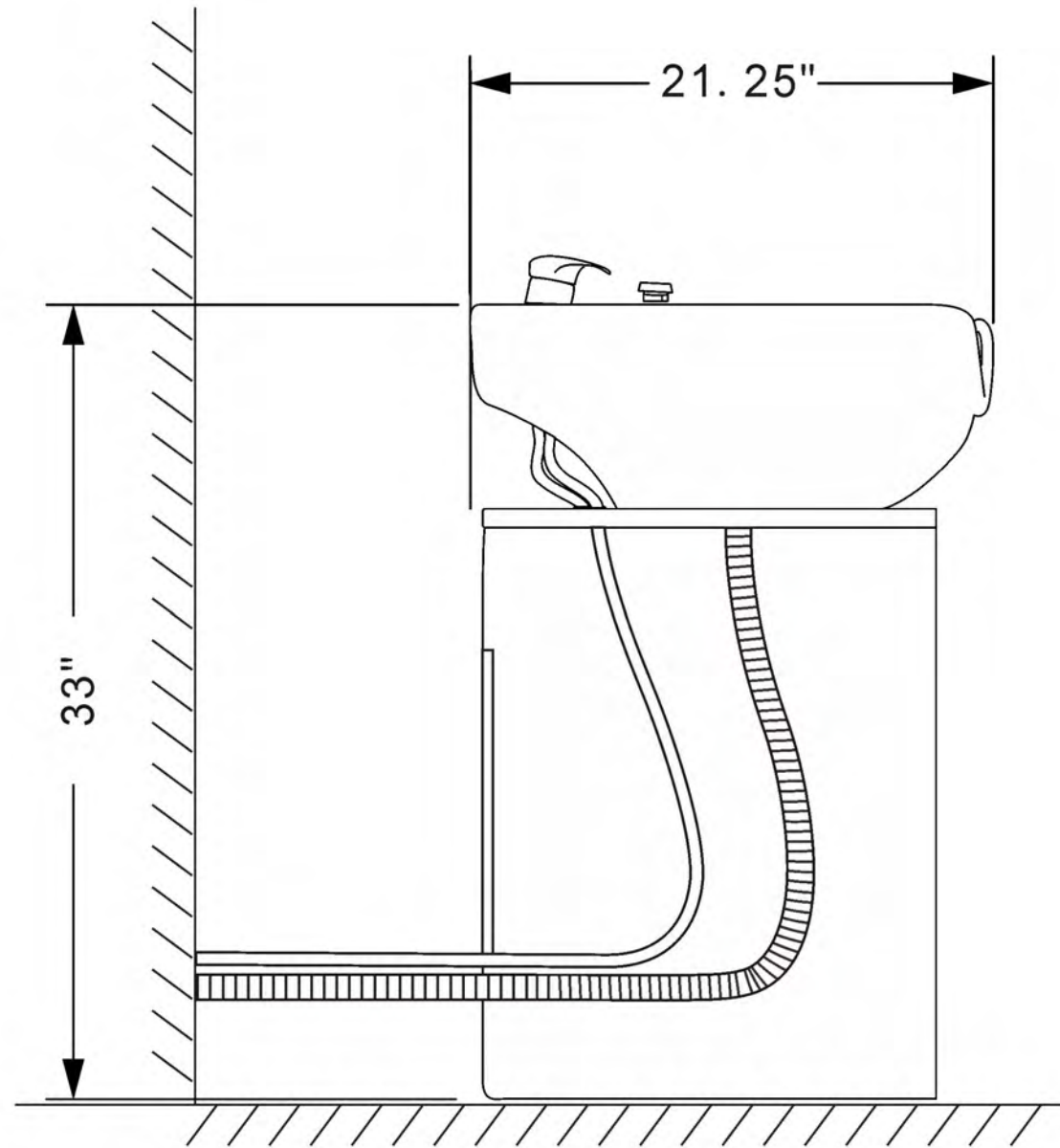
1. Attach the bottom of the shampoo hose to the bottom of the vacuum breaker as shown in the diagram above.
2. Using the vacuum breaker hose, connect the bottom of the vacuum breaker to the bottom of the shampoo fixture as shown in the same image.
3. For proper installation, ensure the shampoo hose is connected to the side of the vacuum breaker marked with a down arrow (↓), and the vacuum breaker hose is connected to the side marked with an up arrow (↑).



Floor plumbing setup:



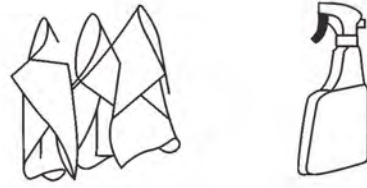
Wall Plumbing setup:



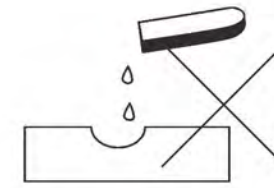
Product care



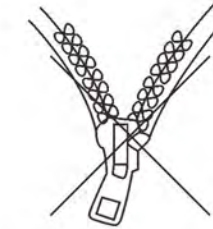
Brush away excess hair



Clean surface with damp cloth or use simple soap & water solution



Avoid using corrosive cleaning agents such as bleaches



Do not remove upholstery for cleaning

Product Information

1. Enjoy your new Shampoo Pedestal!
2. Local jurisdiction may have its own code for how plumbing needs to be installed. To maintain a valid warranty, you must have a licensed plumber perform the installation.
3. Buy-Rite Beauty is not liable for the installation of the Shampoo Pedestal. Please select the appropriate mounting hardware based on your specific floor type. Please ensure that a licensed contractor is used for proper mounting.
4. Ensure the drain hose is installed with a downward slope to allow gravity to provide proper drain drainage.
5. If you have any questions or concerns, please contact our customer experience team at 912-335-4445.