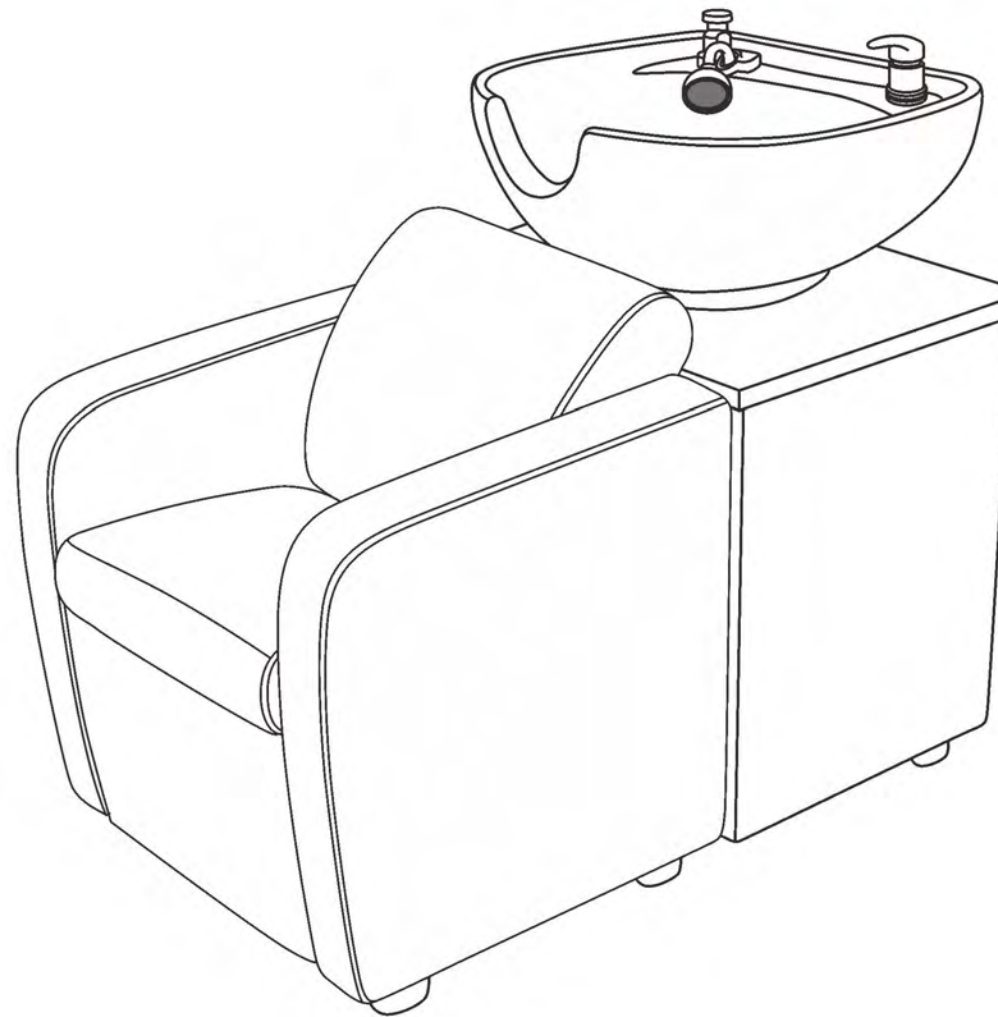




1-800-477-6655
buyritebeauty.com

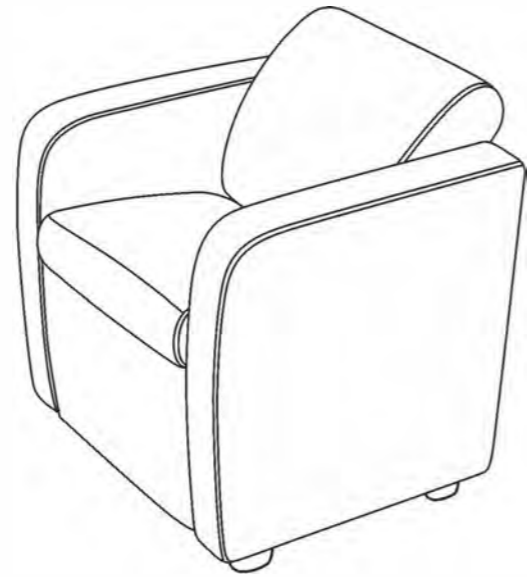
NOVA SHAMPOO BACKWASH UNIT NB-F-8811

INSTRUCTION MANUAL



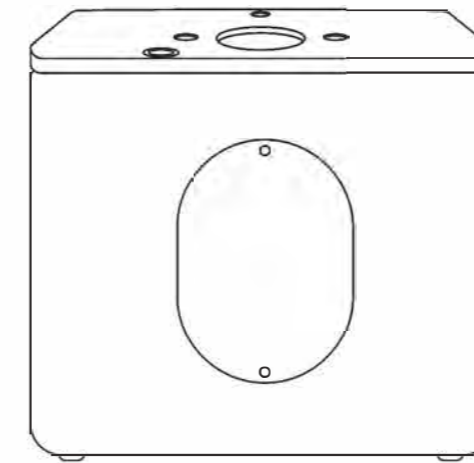
If you purchased the Nova stand alone chair, these instructions do not apply, as no assembly is required.

List of Parts & Tools



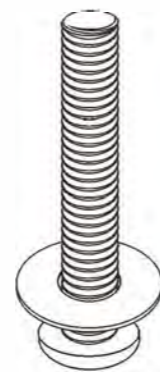
X1

Shampoo Chair



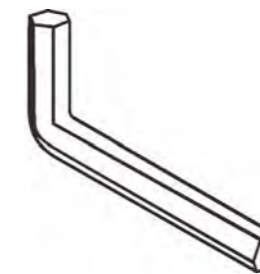
X1

Vera Pedestal



X4

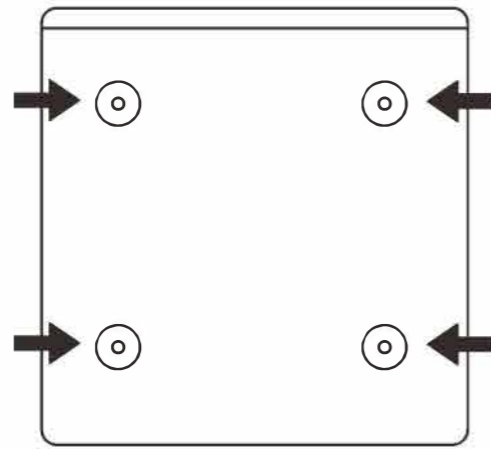
M8X45



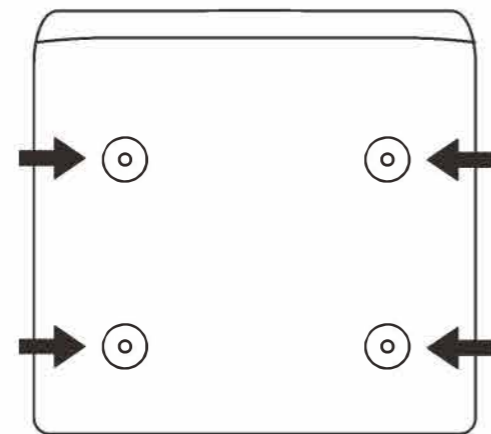
X1

75mm

Step 1



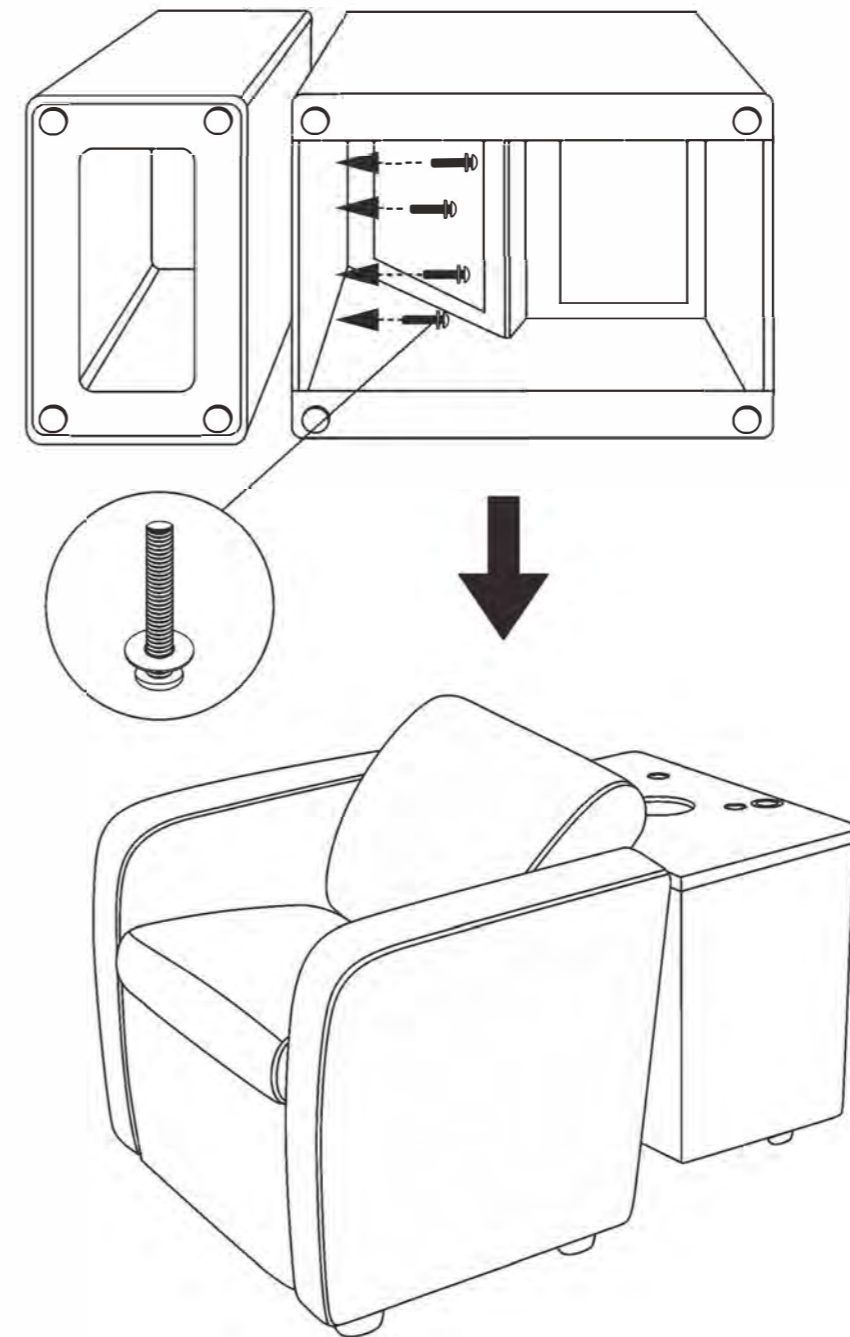
Pedestal



Shampoo Chair

Remove the four screw covers from the back of the shampoo chair and the four screw covers from the front of the pedestal.

Step 2



Carefully lay the shampoo chair and pedestal on their side. Insert and tighten the four screws from inside the shampoo chair to secure the pedestal.

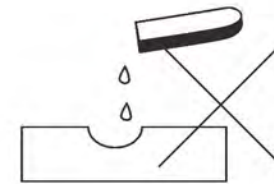
Product care



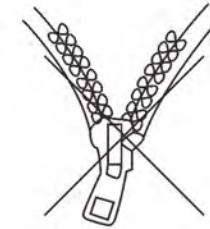
Brush away excess hair



Clean surface with damp cloth or use simple soap & water solution



Avoid using corrosive cleaning agents such as bleaches



Do not remove upholstery for cleaning

Product Information

1. Enjoy your new Shampoo Chair!
2. Local jurisdiction may have its own code for how plumbing needs to be installed. To maintain a valid warranty, you must have a licensed plumber perform the installation.
3. Buy-Rite Beauty is not liable for the installation of the Shampoo Chair. Please select the appropriate mounting hardware based on your specific floor type. Please ensure that a licensed contractor is used for proper mounting.
4. Ensure the drain hose is installed with a downward slope to allow gravity to provide proper drain drainage.
5. If you have any questions or concerns, please contact our customer experience team at 912-335-4445.