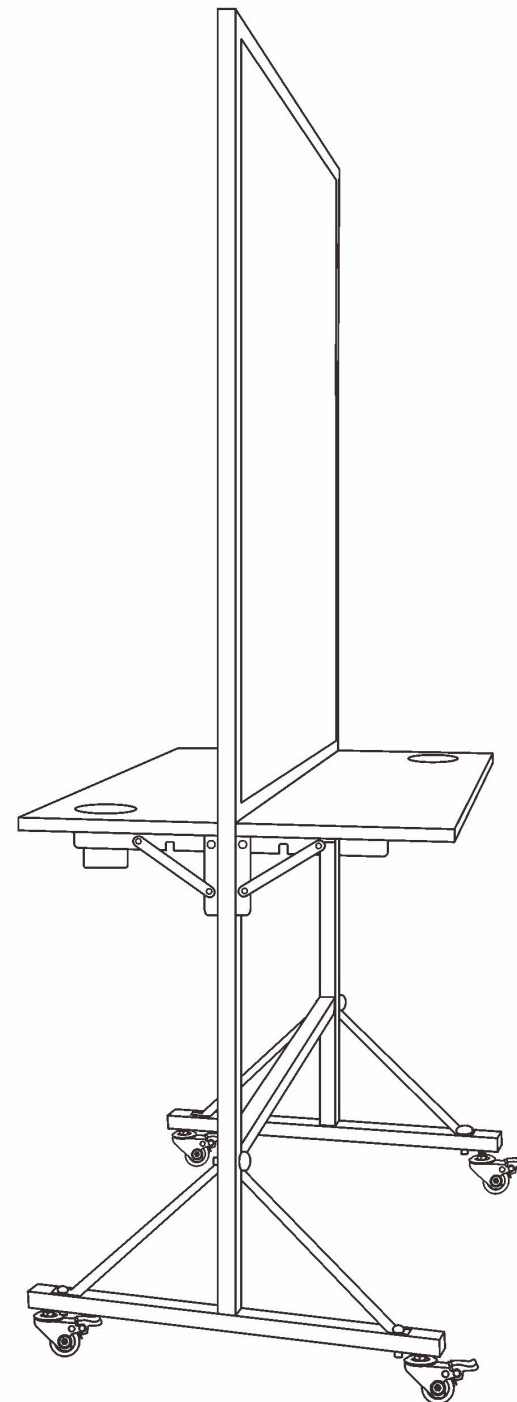


EST.1936

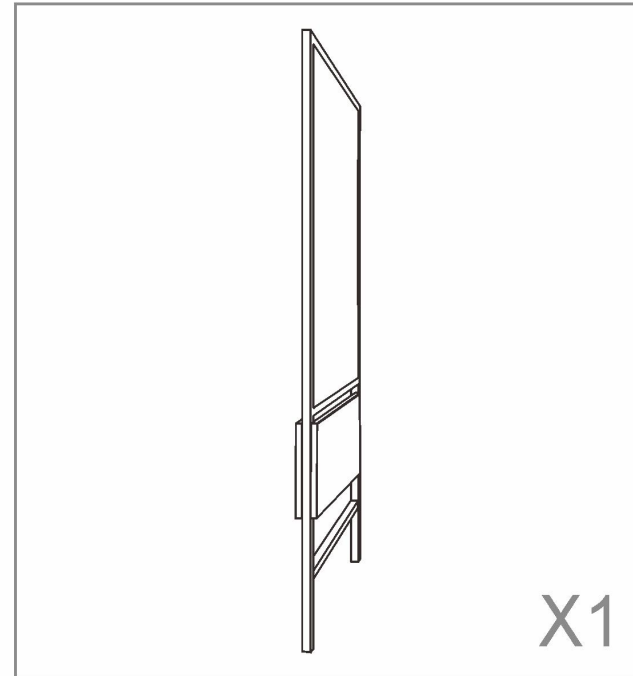
Buy-Rite
SALON & SPA
EQUIPMENT

1-800-477-6655
buyritebeauty.com

VERTEX ACADEMY DOUBLE SIDED STATION NB-SMD-01 INSTRUCTION MANUAL

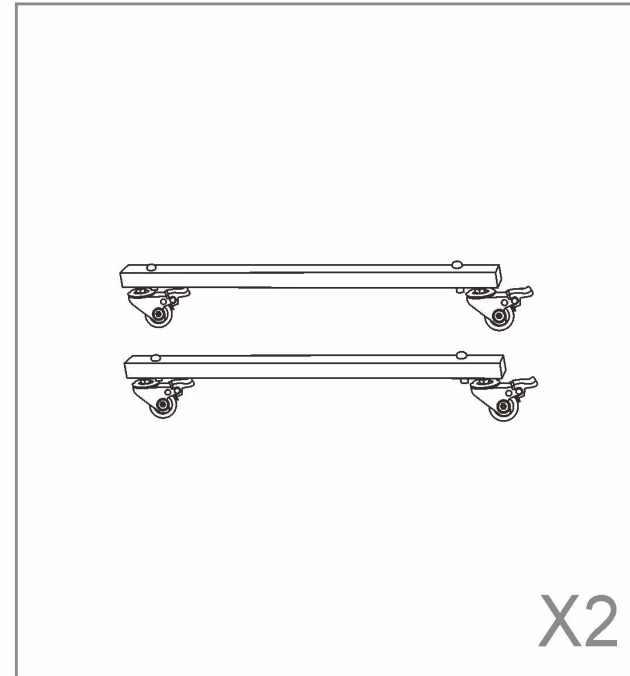


List of Parts & Tools



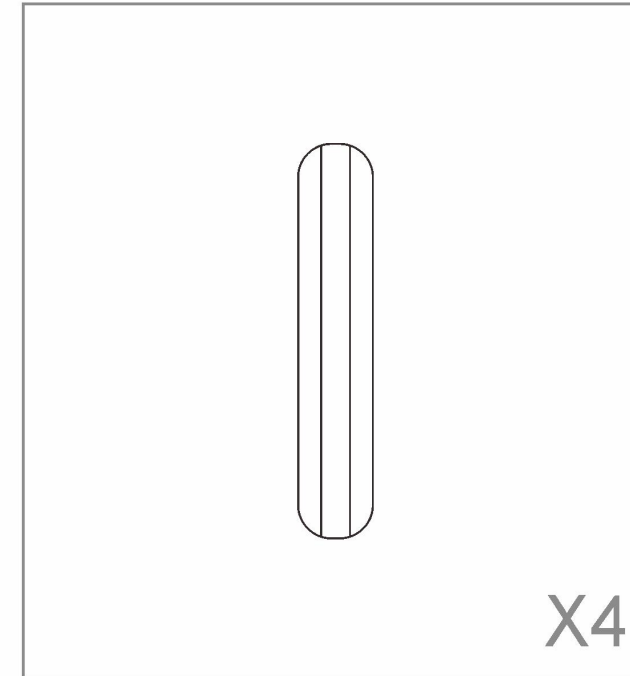
X1

Mirror and Frame



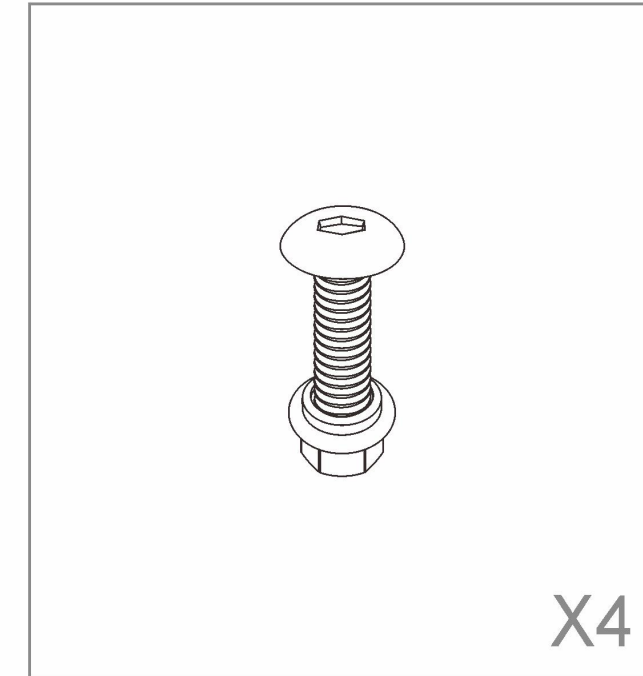
X2

Wheel Base



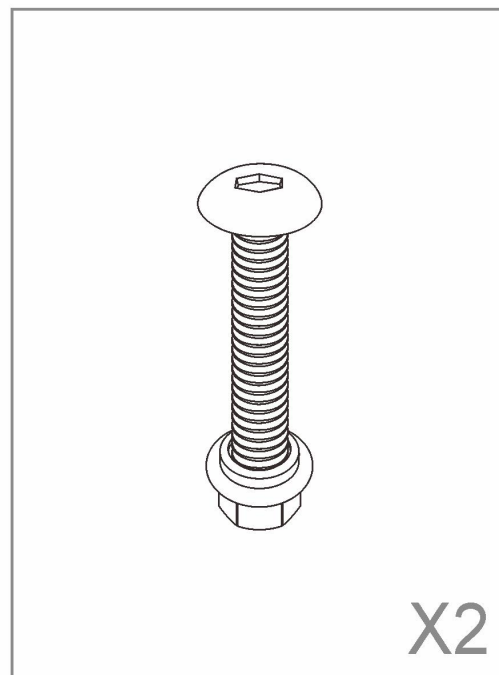
X4

Support Legs



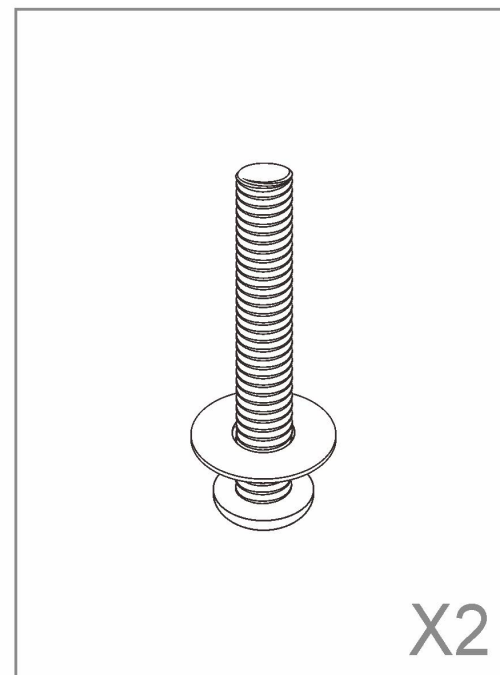
X4

M8x45mm



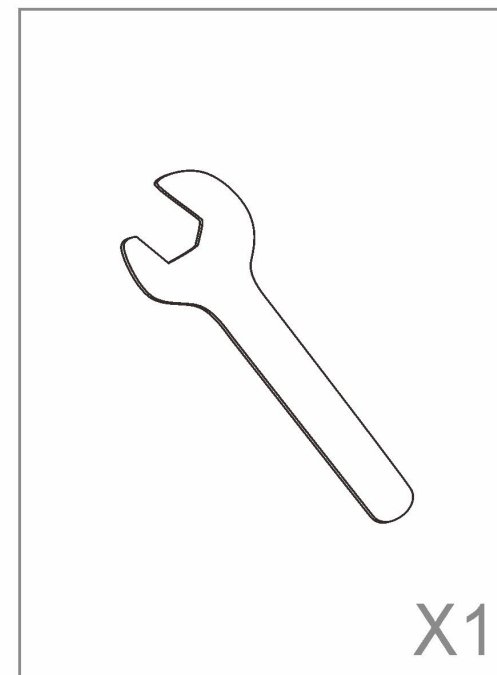
X2

M8x50mm



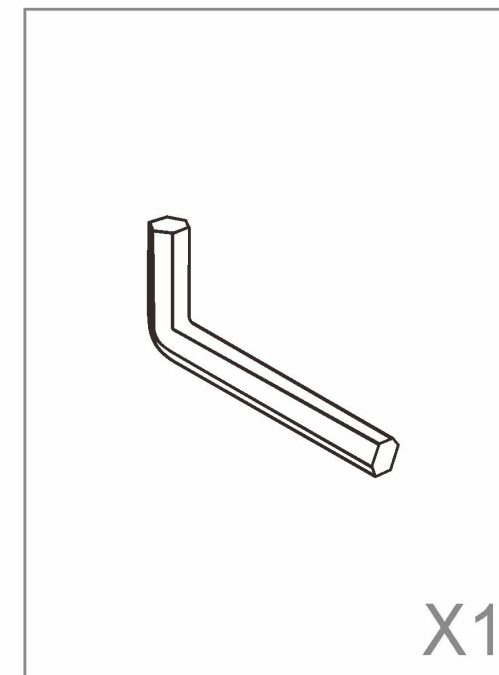
X2

M10x55mm



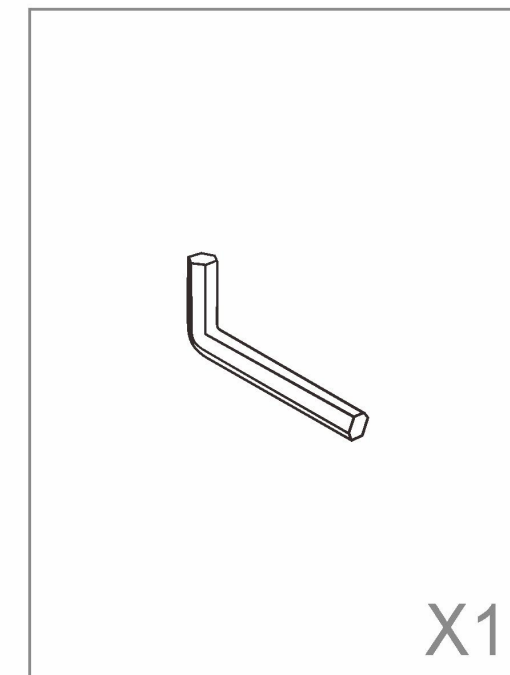
X1

M13



X1

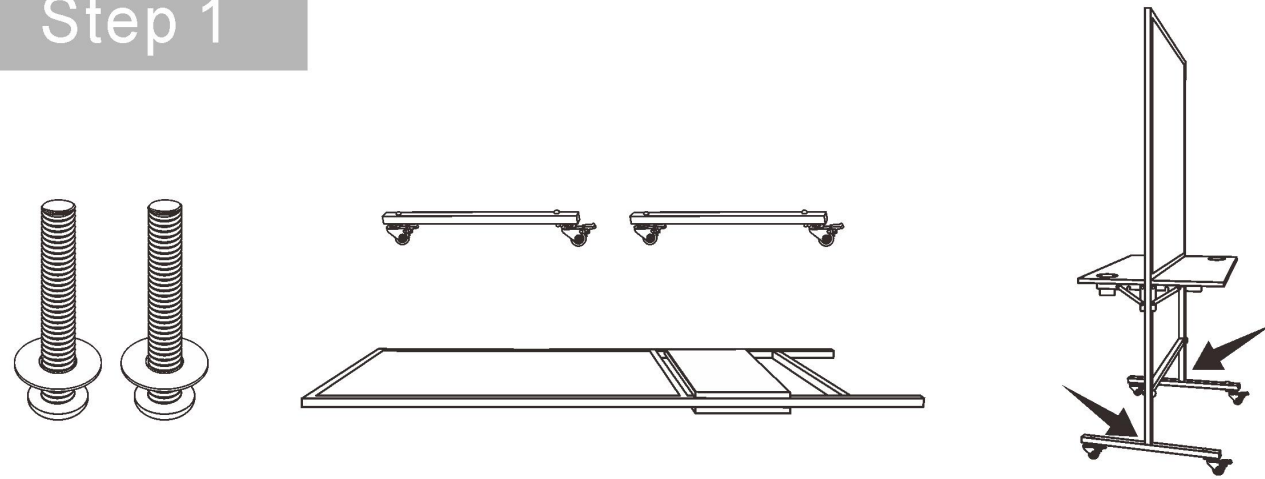
M6



X1

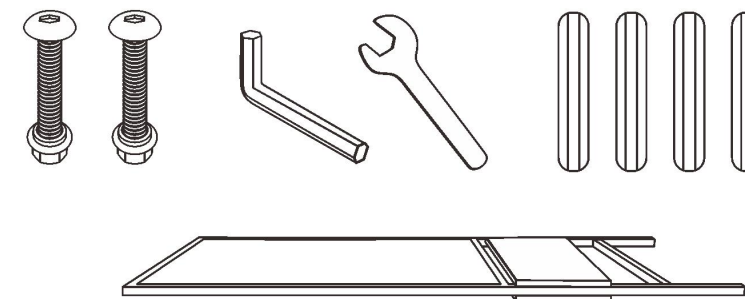
M5

Step 1

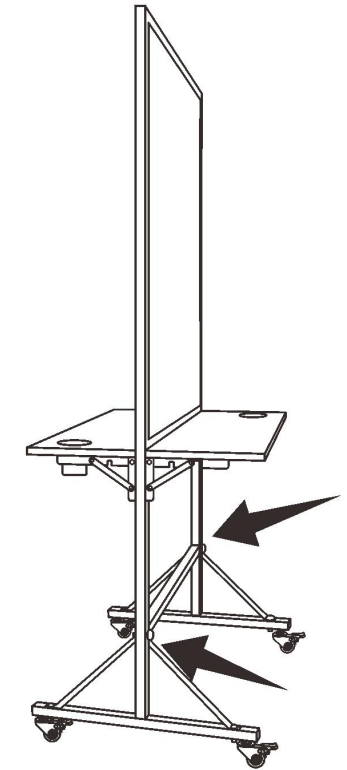


1. Carefully remove the station and all components from the shipping packaging.
2. Position the station on a clean, stable surface elevated a minimum of 12 inches above the ground to allow adequate working clearance.
3. Identify the two wheel bases and the corresponding mounting points on the frame.
4. Align the mounting holes of each wheel base with the pre-drilled holes on the frame.
5. From the underside of each wheel base, insert the M10 × 55 bolts and thread them into the frame.
6. Using an M6 wrench, tighten all bolts securely. Do not overtighten.

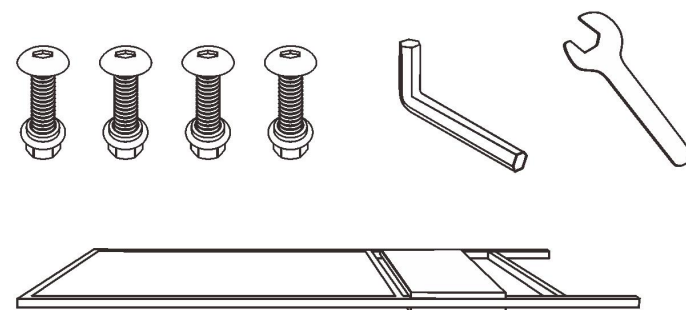
Step 2



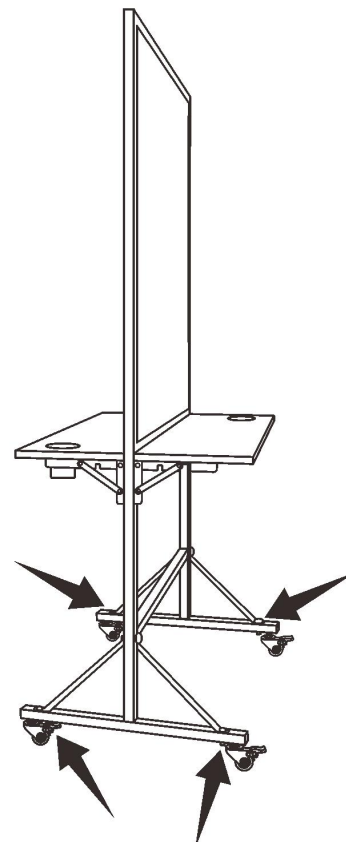
1. Locate the four support legs.
2. Position the support legs on each side of the frame as shown in the illustration.
3. Remove the nuts from the two M8 × 50 bolts.
4. Insert the bolts through the support legs and the frame at the designated mounting points, as shown.
5. Once each bolt is fully inserted through the frame, reattach the nuts.
6. Tighten all hardware securely. Do not overtighten.



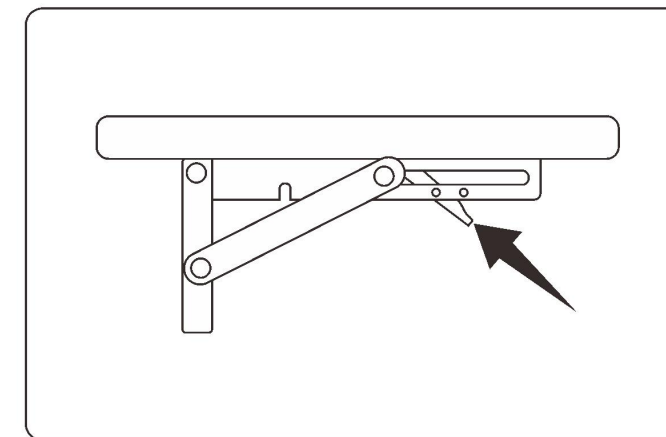
Step 3



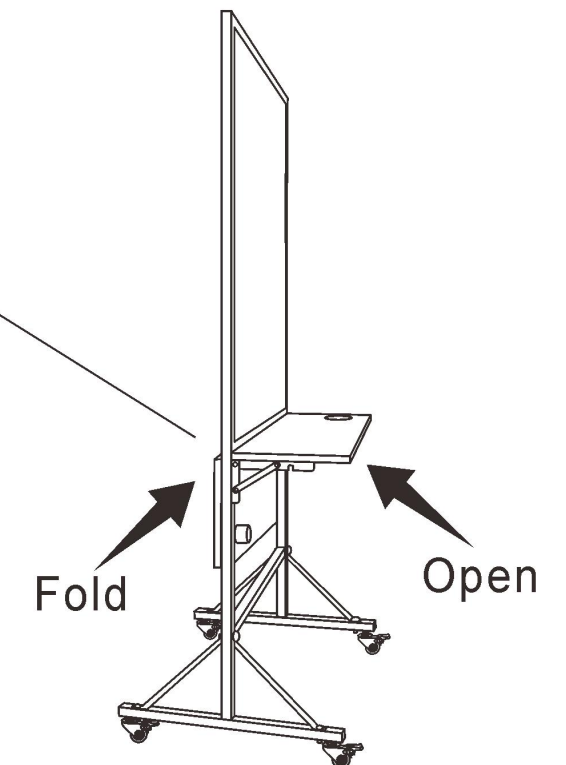
1. Remove the four nuts from the M8 × 45 bolts.
2. Insert each bolt through the top of the support arms and into the base, aligning with the pre-drilled holes as shown in the diagram.
3. Ensure all four bolts are properly seated and fully inserted.
4. Attach a nut to each bolt.
5. Tighten all fasteners securely.
6. Note: Verify proper alignment of all components before fully tightening hardware.



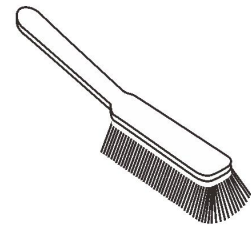
Step 4



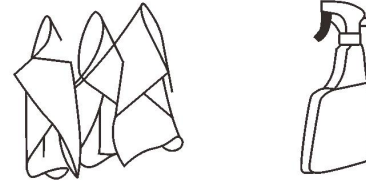
The latch under the shelf allows you to quickly open or fold the station ledge.



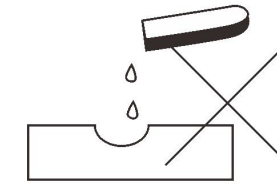
Product care



Brush away excess hair



Clean surface with damp cloth or use simple soap & water solution



Avoid using corrosive cleaning agents such as bleaches

Product Information

1. Enjoy your new Double Sided Station!
2. Remember to always keep the station on a flat level surface.
3. Please avoid contact with bleach or other harsh chemicals as station finish may be damaged.
4. If you have any questions or concerns, please contact our customer experience team at 912-335-4445.
5. Do not sit, stand, or place heavy objects on the station ledges. Doing so may cause the station to become unstable and tip over, potentially resulting in injury or damage.