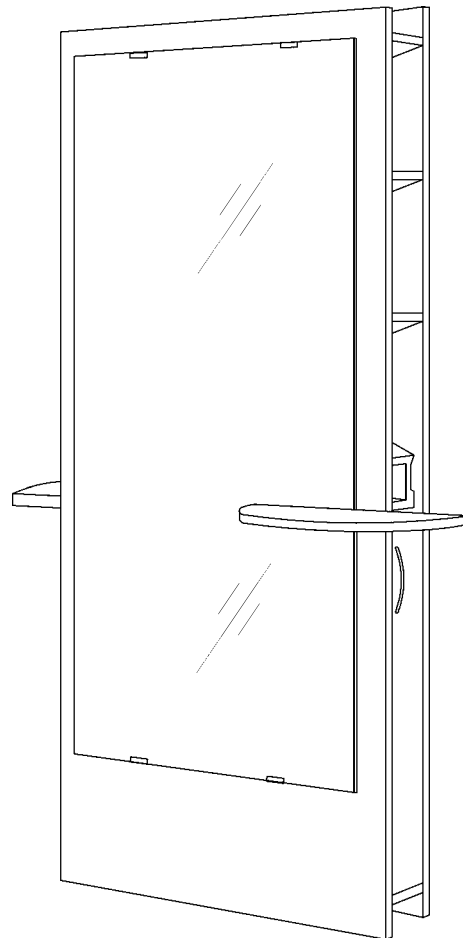




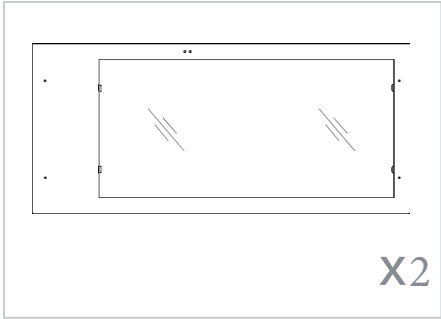
1-800-477-6655  
buyritebeauty.com

## **Allegro Double Sided Styling Station**

OD-2903  
INSTRUCTION MANUAL

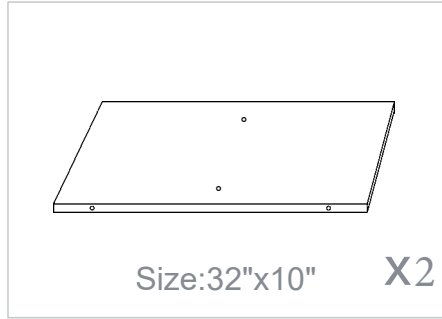


# List of Parts & Tools



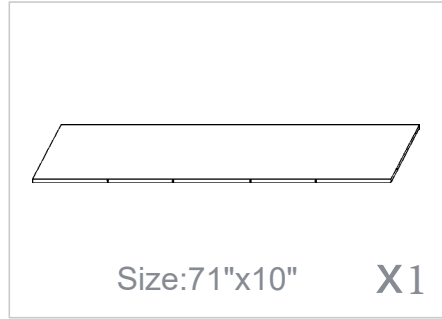
X2

A



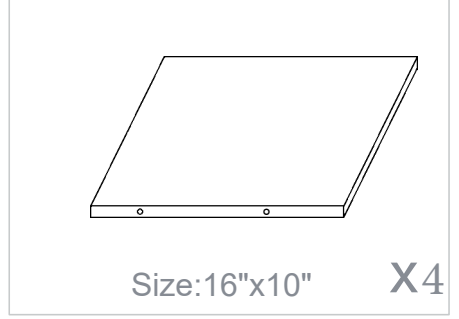
Size:32"x10" X2

B



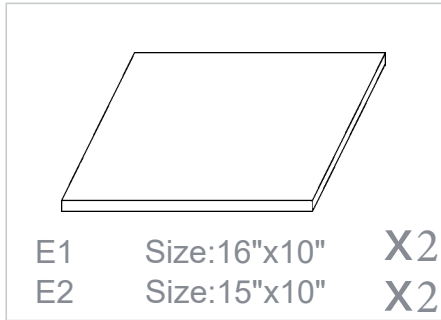
Size:71"x10" X1

C



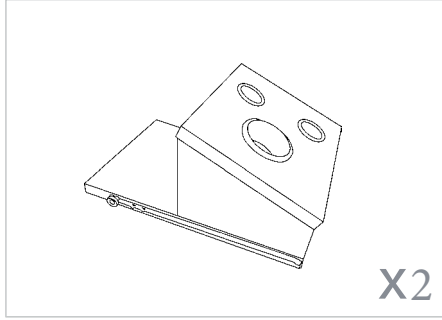
Size:16"x10" X4

D



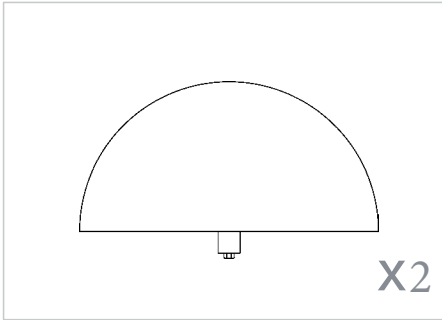
E1 Size:16"x10" X2  
E2 Size:15"x10" X2

E



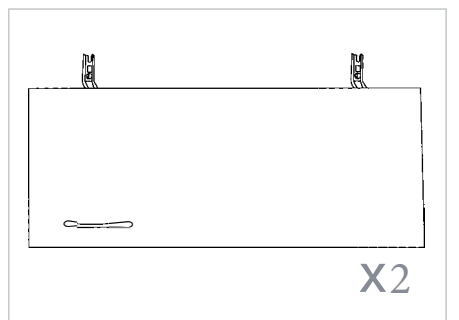
X2

Tool Rack



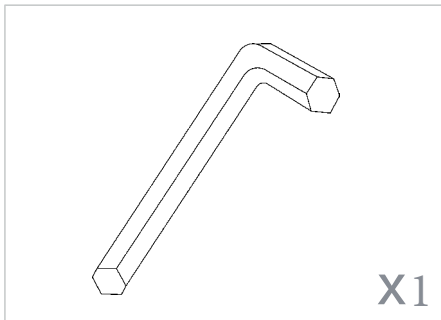
X2

Half Moon Shelf



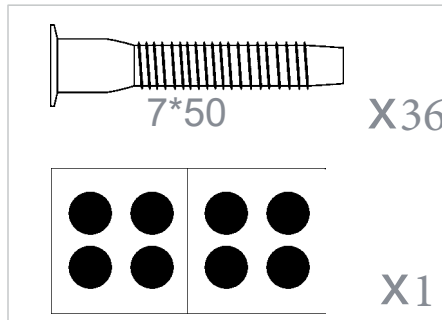
X2

Cabinet Door



X1

Hex Wrench

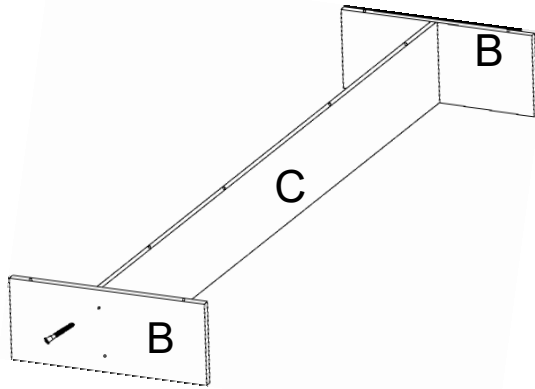
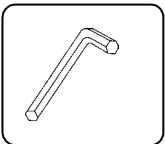
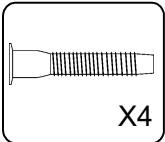
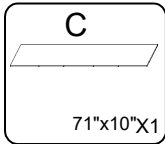
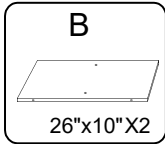


7\*50 X36

X1

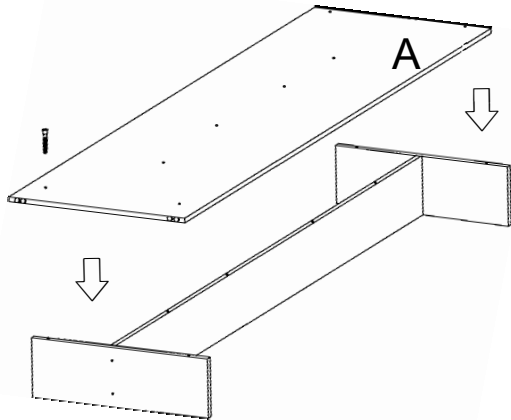
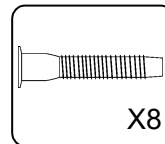
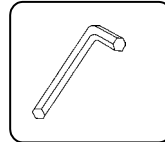
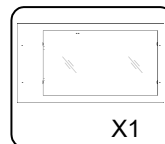
Screws and Hole  
Covers

### Step 1



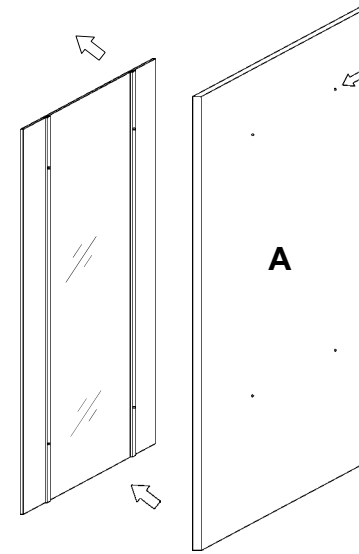
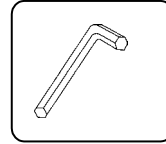
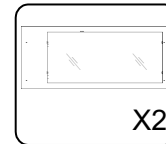
1. Remove the two board "B" panels from the carton labeled 2903-3 and one board "C" panel from the carton labeled 2903-1.
2. Position the boards as illustrated in the diagram above ensuring all pre-drilled holes are properly aligned.
3. Insert two screws through the aligned holes on one side and tighten securely using the supplied Hex Wrench.
4. Repeat the same process on the opposite side.

### Step 3



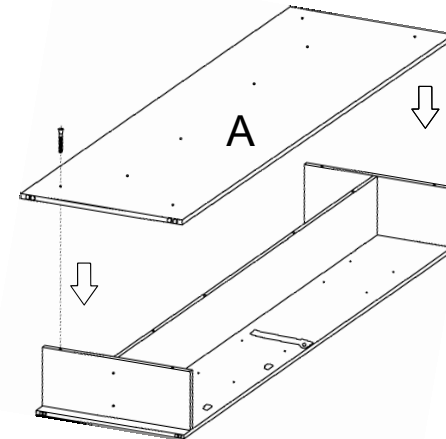
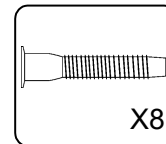
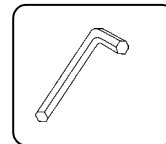
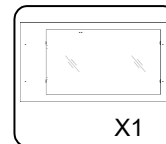
1. Place the assembled frame from Step 1 on a soft surface to prevent scratches.
2. Place panel "A" (with the mirror removed) onto the frame, ensuring all pre-drilled holes are aligned as shown in the diagram above. Once aligned, secure panel "A" firmly to the frame using eight screws and the included hex wrench.

### Step 2



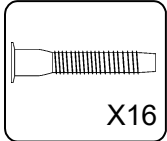
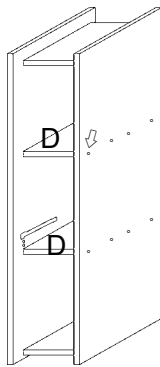
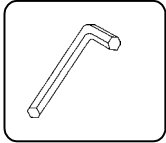
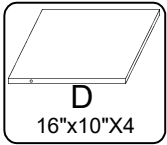
1. Remove the two board "A" from the carton marked 2903-1 and 2903-2 and unscrew the four screws on the back of both panels to carefully remove the mirror away from the wood board. Once removed, place the mirrors and the screws in a safe location for later use.

### Step 4



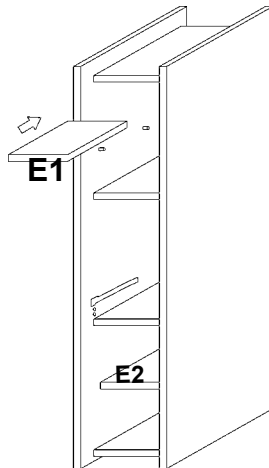
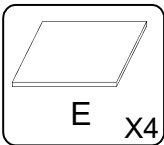
1. Carefully invert the frame you assembled in step 3 and place it on a soft surface to prevent scratches.
2. Place the other panel "A" onto the frame, ensuring all edges and pre-drilled holes are aligned as shown in the diagram above. Once aligned, secure the "A" to the frame using the eight screws and the included Allen wrench, and tighten them.
3. After completion, stand the assembled cabinet upright and confirm that all screws are securely tightened.

## Step 5



1. Remove the four board "D" panels from the carton labeled 2903-3 and locate the two pre-drilled holes on each side of the station as shown in the diagram above.
2. Slide one board "D" into the cabinet as shown making sure that the small pilot holes on the board line up with two holes on the outside of the cabinet.
3. Take two screws and start them by hand from the outside of the cabinet to attach the board "D" but do not fully tighten them yet.
4. Repeat this same process on the other side of the cabinet using two more screws.
5. Now, take the remaining three board "D" and follow the same steps as above and shown in the diagram.
6. Once complete, tighten each of the sixteen screws so that they are securely in place but be sure not to over-tighten.

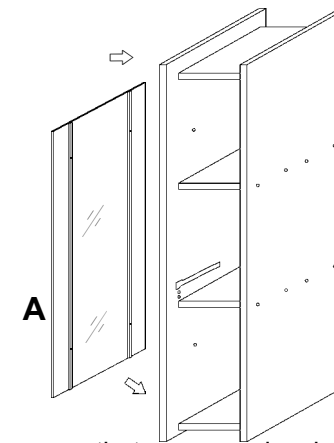
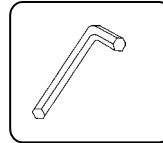
## Step 7



E1 Size: 16"x10"  
E2 Size: 15"x10"

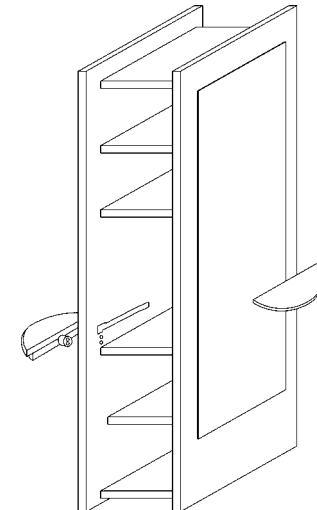
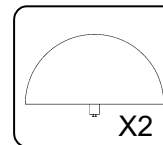
1. Remove the two board "E" panels from the carton labeled 2903-3 and notice that one of the boards is 1 inch shorter than the other.
2. As shown in the diagram above, take the longer board and place it carefully on the upper shelf pins that are already attached in the cabinet.
3. Then take the shorter board and place it carefully on the lower left pins that are also already attached in the cabinet.
4. Double check to make sure that both boards are level and stable before moving to the next step.
5. Repeat the same steps for the opposite side.

## Step 6



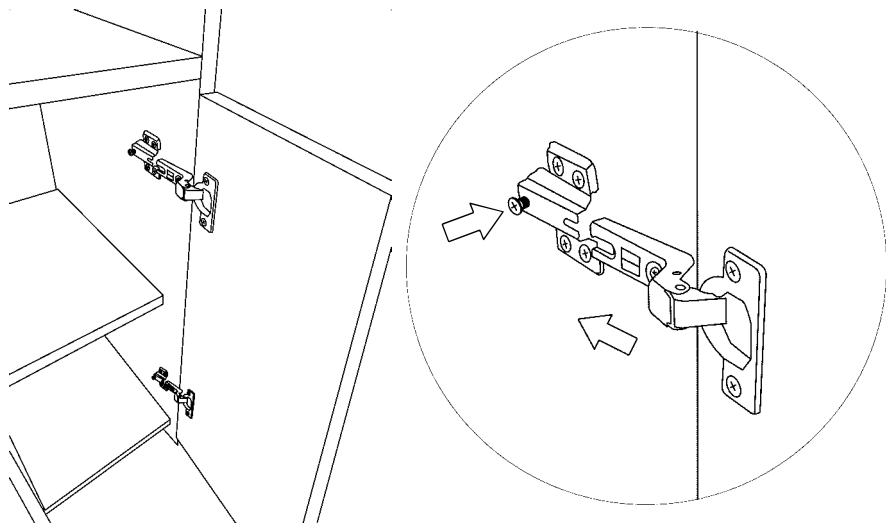
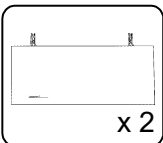
1. Locate the mirror and screws that were previously removed from board "A" in step 2 above.
2. Find the four holes on the front panel of the cabinet that match the holes on the mirror and carefully line up the mirror with these holes.
3. Take two of the previously removed screws and insert them into the top two holes securing the mirror in place.
4. Repeat the same steps for the bottom two holes and tighten all four screws. Be careful not to over-tighten as it could damage the mirror.
5. Repeat the same steps on the opposite side for the other mirror.

## Step 8



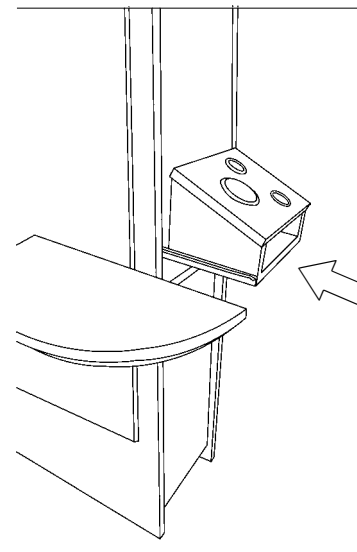
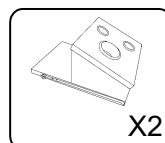
1. Remove the half moon shelf from the carton labeled 2903-3 and remove the two screws from the back of the shelf.
2. Position the shelf with the two holes on the back of the shelf matching with the two holes on the mirror side of the cabinet as shown in the diagram above.
3. Reinsert the two screws from inside of the cabinet to attach the shelf and tighten the screws carefully. Be careful not to over-tighten as it could damage the mirror.
4. Repeat the same steps for the opposite side.

## Step 9



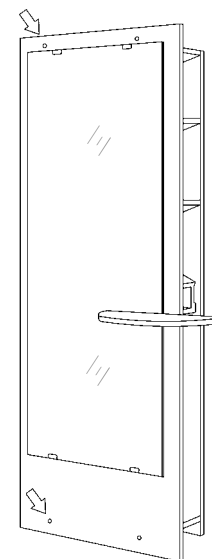
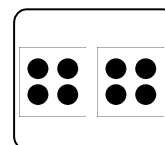
1. Remove the cabinet door from the carton labeled 2903-3 and set aside.
2. Inside of the cabinet, loosen the screw located at the back of the hinge mounting plate as shown in the diagram above.
3. Slide the hinge arm that is attached to the cabinet door into the mounting plate as shown above.
4. Re-tighten the screw at the back of the mounting plate that you previously loosened to hold the hinge arm in place and secure the cabinet door.
5. Repeat the same steps for the opposite side.

## Step 10



1. Remove the tool panel from the carton labeled 2903-3 and slide it onto the rail glides that are already attached to the inside of the cabinet as shown in the diagram above.
2. Repeat the same steps for the opposite side.

## Step 11



1. Align and attach the black padded hole covers to the four designated screw holes located on the mirror side of the station as shown in the diagram above.

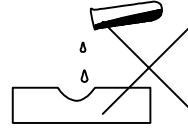
## Product care



Brush away excess hair



Clean surface with damp cloth or use simple soap & water solution.



Avoid using corrosive cleaning agents such as bleaches.

## Product Information

1. Enjoy your new Allegro Double Station-Black!
2. If you have any questions or concerns, please contact our customer experience team at 912-335-4445.
3. Heavy objects should not be placed on the half-moon shelf. Doing so may compromise the stability of the styling station.
4. Buy-Rite Beauty is not responsible for the installation of the styling station. We recommend using a licensed contractor for proper installation.