

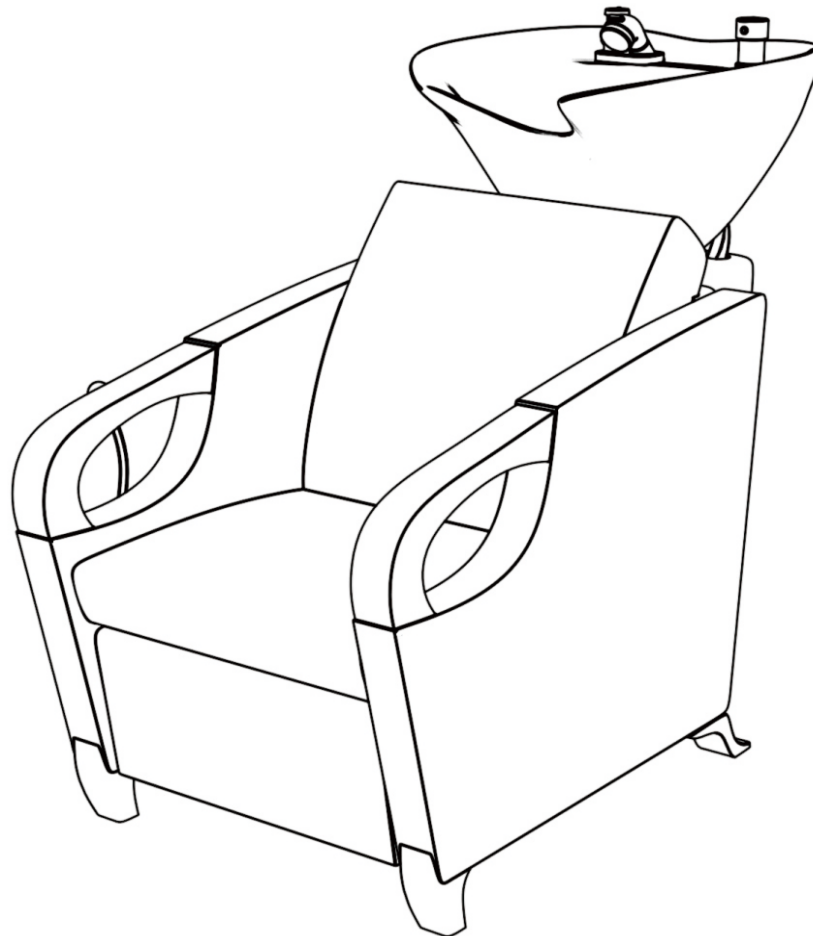
EST.1936
Buy-Rite
SALON & SPA
EQUIPMENT

1-800-477-6655
buyritebeauty.com

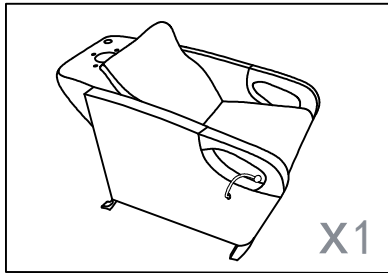
Luna Backwash

YLG-583-1

INSTRUCTION MANUAL

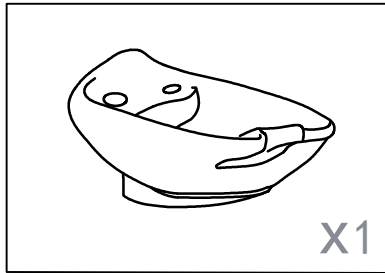


List of Parts & Tools



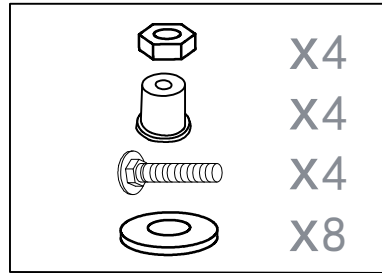
X1

Shampoo Chair



X1

Porcelain Bowl



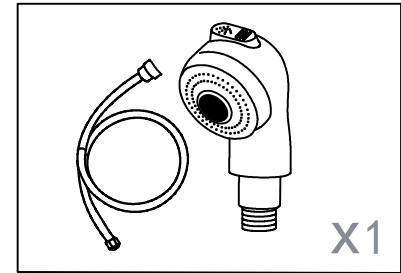
X4

X4

X4

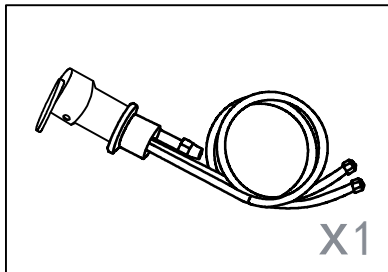
X8

Tilting Mechanism
Hardware



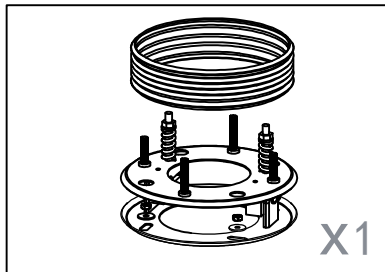
X1

Shampoo Nozzle
& Shampoo Hose



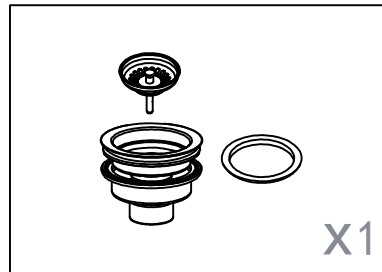
X1

Shampoo Fixture



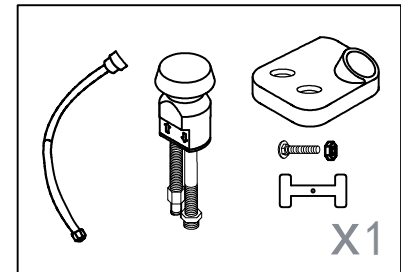
X1

Tilting Mechanism
& Rubber Collar



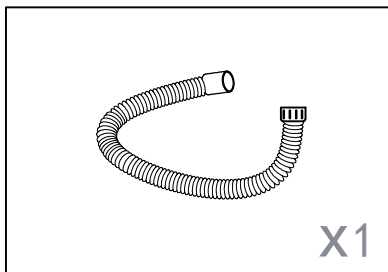
X1

Drain Assembly



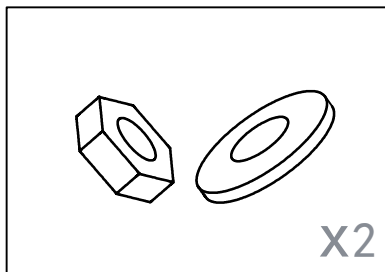
X1

Hose Receiver Plate,
Vacuum Breaker
& Hose



X1

Drain Hose



X2

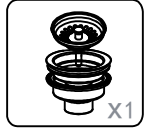
Bowl Mounting
Hardware

Step 1

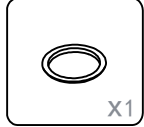
Drain Assembly



Drain Cap



Drain Screw

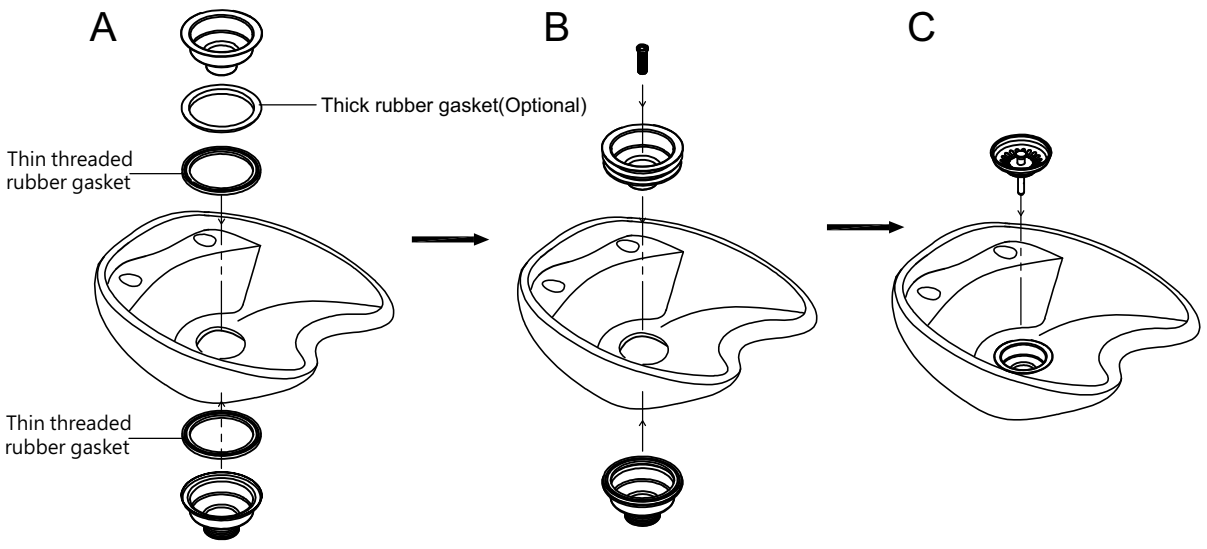


Drain Top

Thick rubber gasket(Optional)

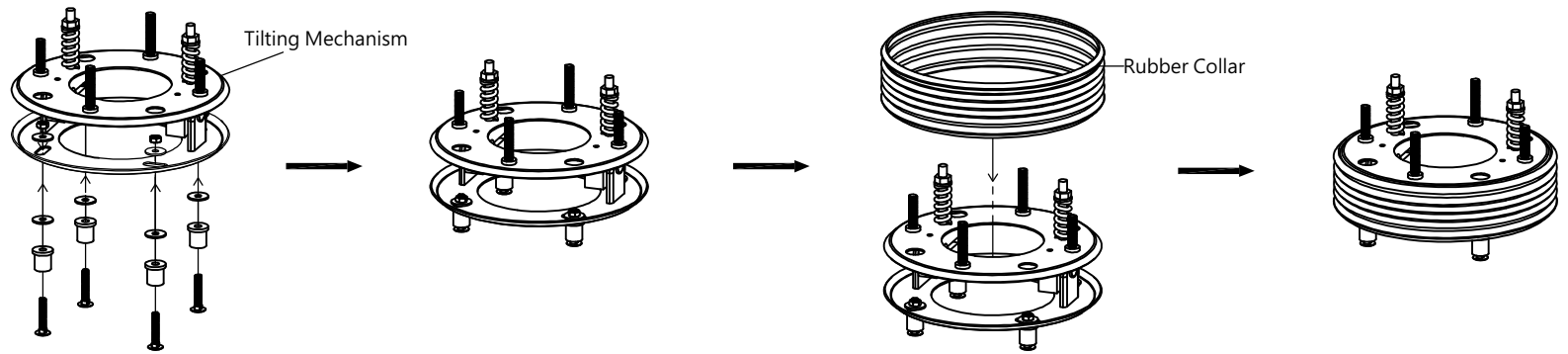
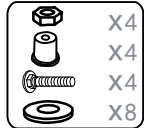
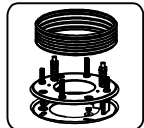
Threaded Rubber Gasket

Drain Lower "Threaded"



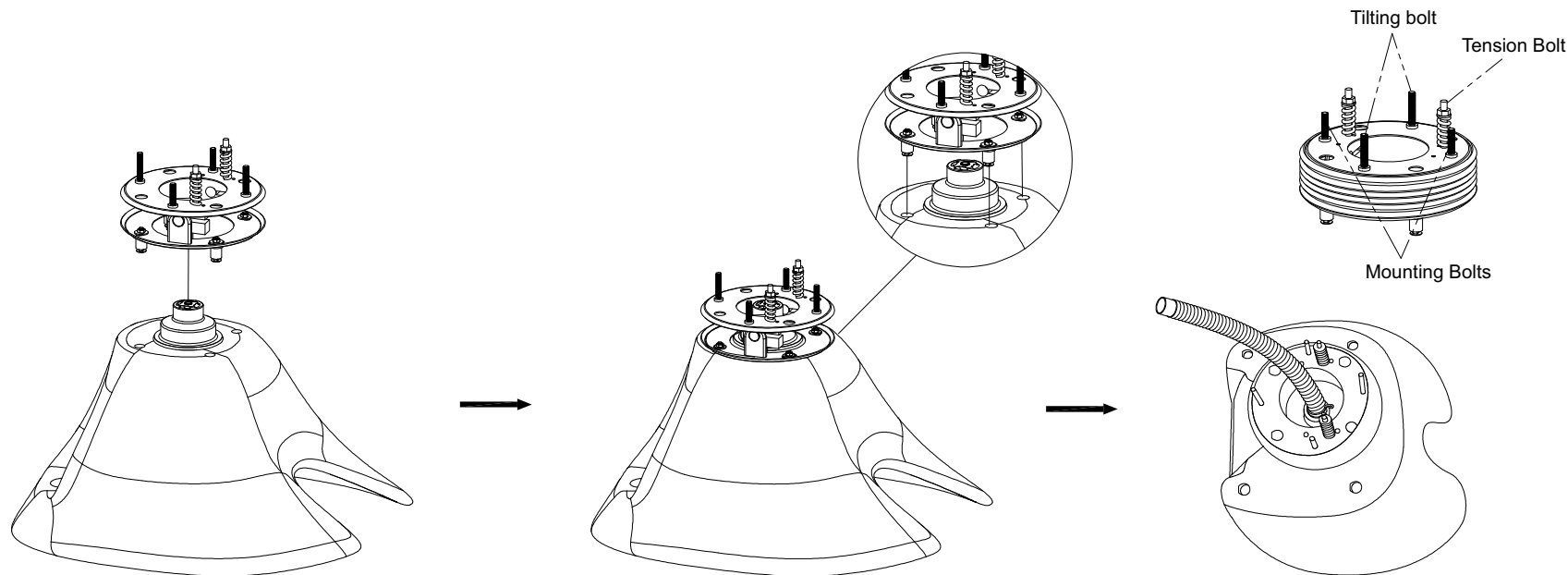
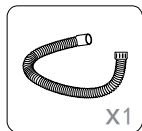
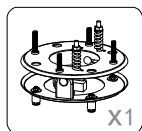
1. Install the drain assembly on the shampoo bowl following steps A, B and C on the diagram above.

Step 2



1. Using the tilting mechanism hardware, attach the four rubber spacers to the tilting mechanism using the bolts, nuts and washers provided. You will use one bolt, one nut and two washers per rubber spacer. See the first picture in the diagram above.
2. Once the hardware is attached, apply the rubber collar to the outside of the tilting mechanism. See the third picture in the diagram above.

Step 3

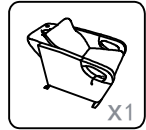


1. To attach the tilting mechanism to the shampoo bowl, begin by aligning the four rubber spacers on the tilting mechanism with the four holes in the bottom of the shampoo bowl. When aligning, ensure that the silver springs on the tilting mechanism are positioned towards the front of the shampoo bowl.
2. Once the tilting mechanism is aligned and seated with the shampoo bowl, tighten the 4 nuts that are attached to the rubber spacers located in the middle of the tilting mechanism. See diagram above. Ensure not to overtighten the bolts as this could risk damaging or cracking the shampoo bowl.
3. Once the tilting mechanism is fully attached to the shampoo bowl, slide the rubber collar over the tilting mechanism to cover.
4. Attach the Drain Hose to the bottom of the Drain Assembly. If you notice any leaks, apply plumber's putty or Teflon tape as needed to ensure a watertight seal at your licensed plumber's discretion.
5. After installation, if the shampoo bowl does not tilt through its full range of motion, the issue may be due to the tilting bolts. Locate the two tilting bolts positioned at the front and back on the underside of the tilting mechanism. Adjust these bolts by tightening or loosening them as needed to achieve your desired tilt range.

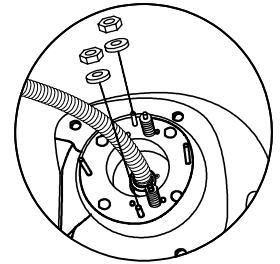
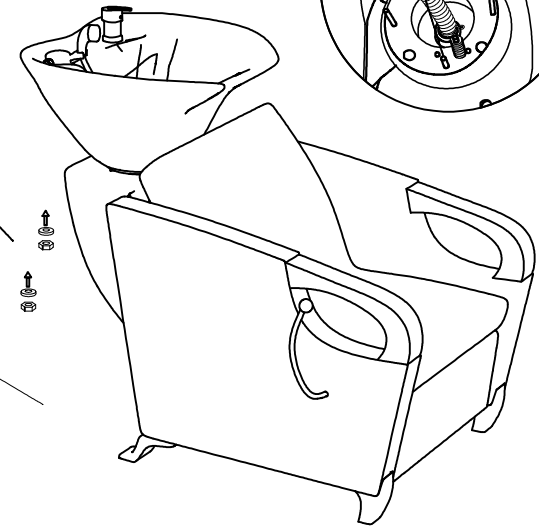
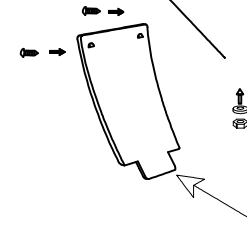
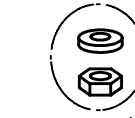
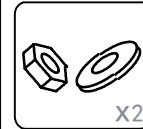
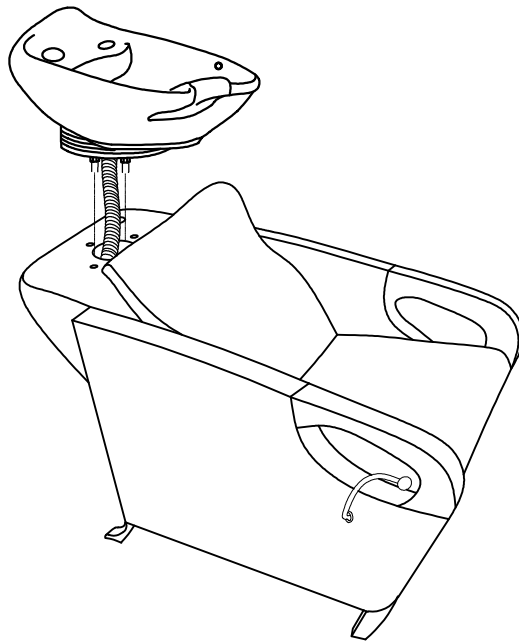
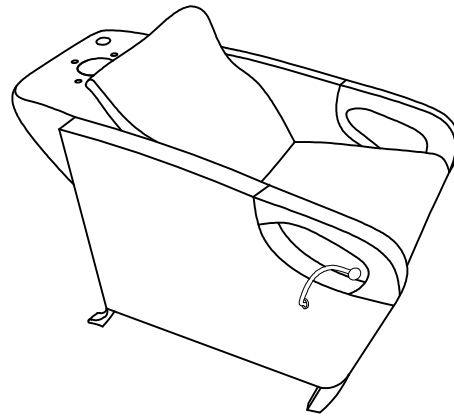
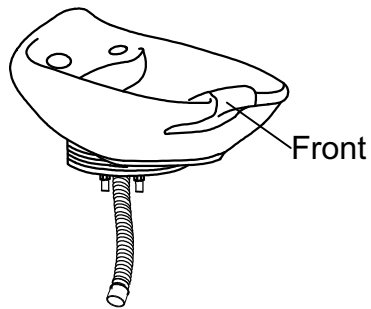
Step 4



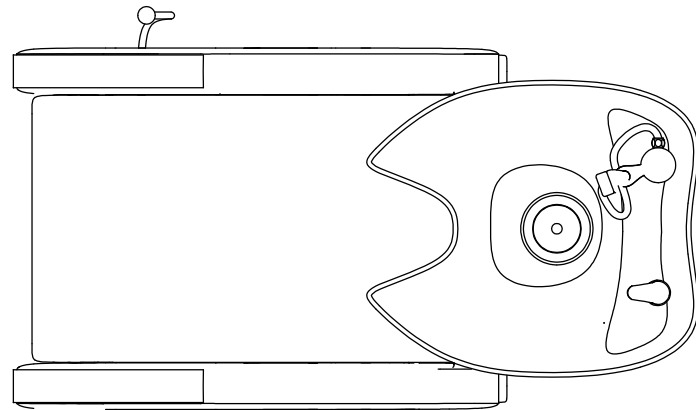
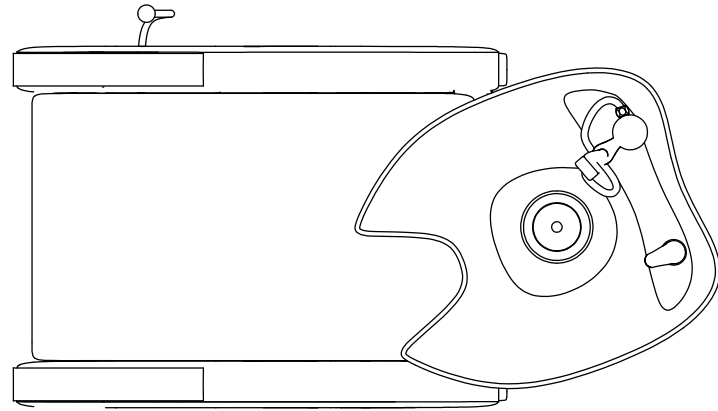
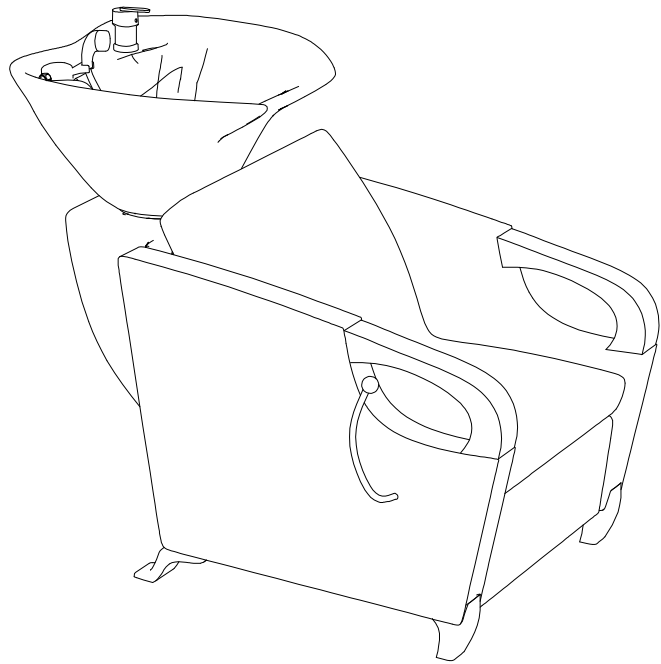
Porcelain Bowl



Shampoo chair

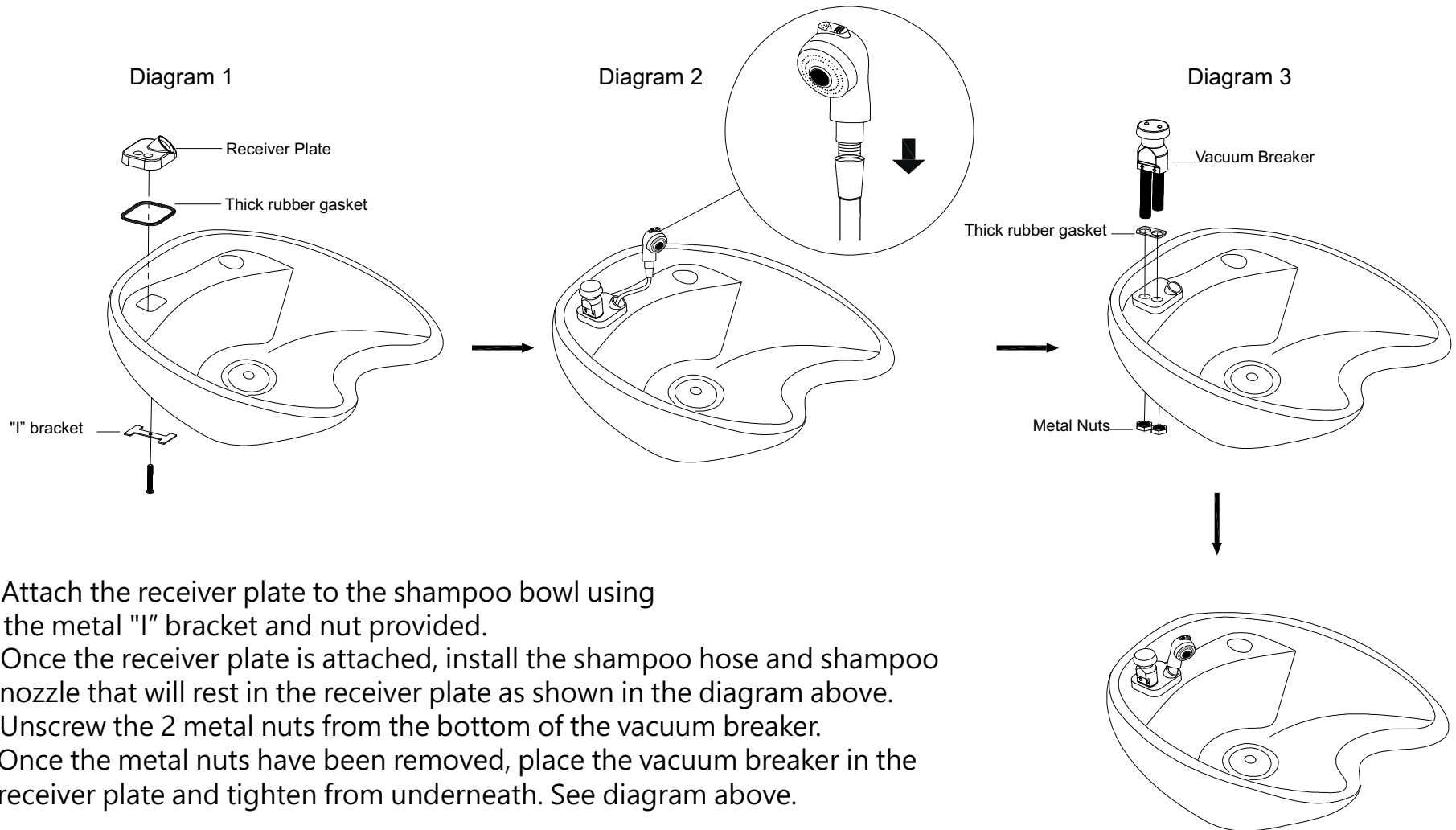
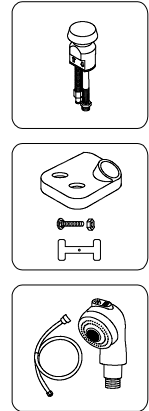


1. To attach the shampoo bowl to the shampoo chair, begin by removing the plumbing access panel located in the back of the shampoo unit and set aside until installation is complete.
2. Next, take the shampoo bowl and ensure that it is facing forward. Ensure the bolts on the bottom of the tilting mechanism align with the holes in the top of the shampoo chair.
3. Locate the bowl mounting hardware. Once the tilting mechanism is aligned and seated on the rear of the shampoo chair, attach the shampoo bowl from inside the of the shampoo chair using the large washers and nuts provided. Twist the nuts clockwise to tighten until secure.



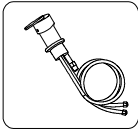
Step 5

Receiver Plate and Shampoo Hose

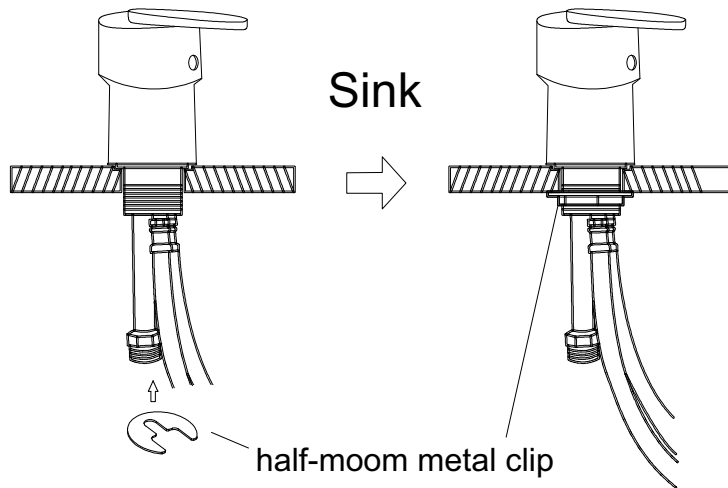
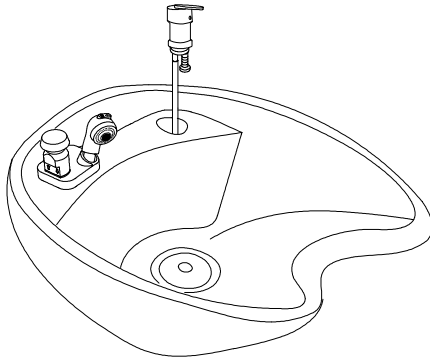


1. Attach the receiver plate to the shampoo bowl using the metal "I" bracket and nut provided.
2. Once the receiver plate is attached, install the shampoo hose and shampoo nozzle that will rest in the receiver plate as shown in the diagram above.
3. Unscrew the 2 metal nuts from the bottom of the vacuum breaker. Once the metal nuts have been removed, place the vacuum breaker in the receiver plate and tighten from underneath. See diagram above.

Step 6



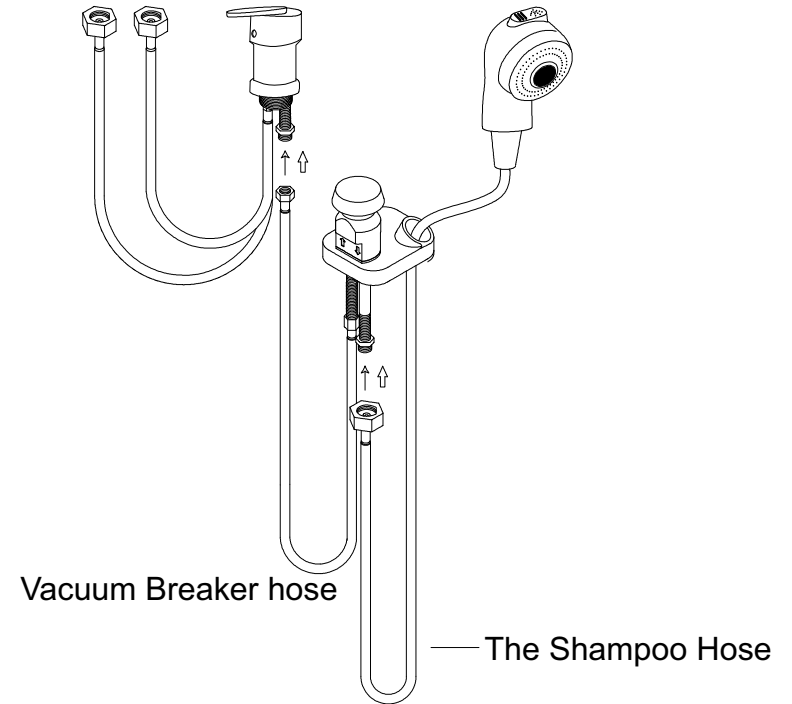
Shampoo Fixture



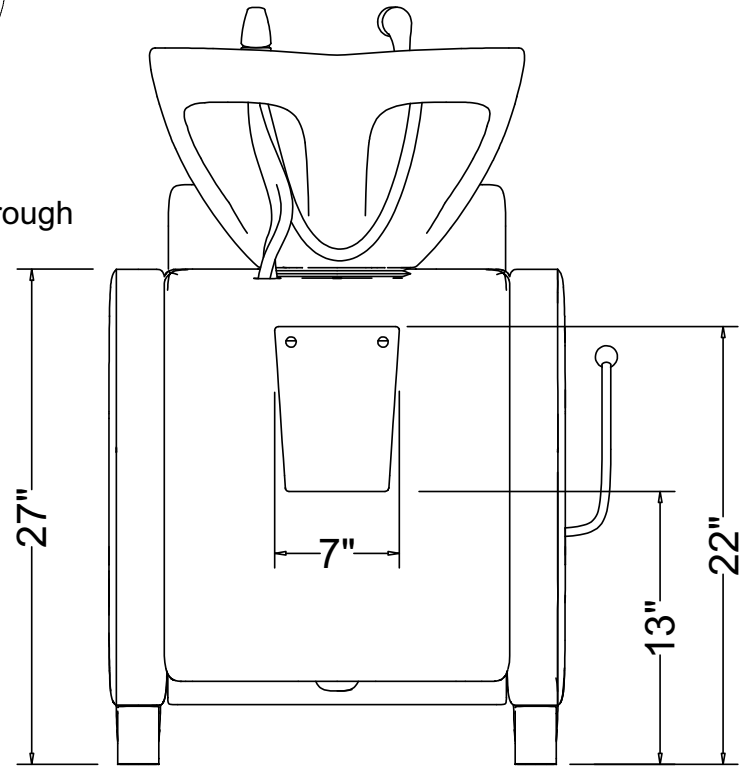
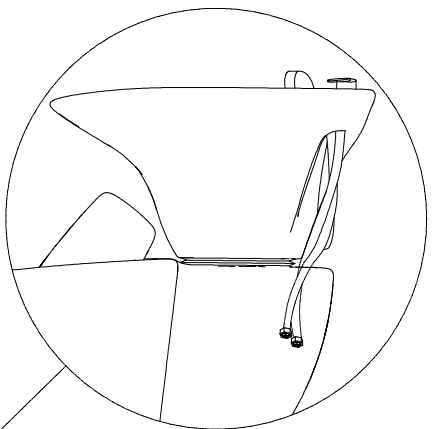
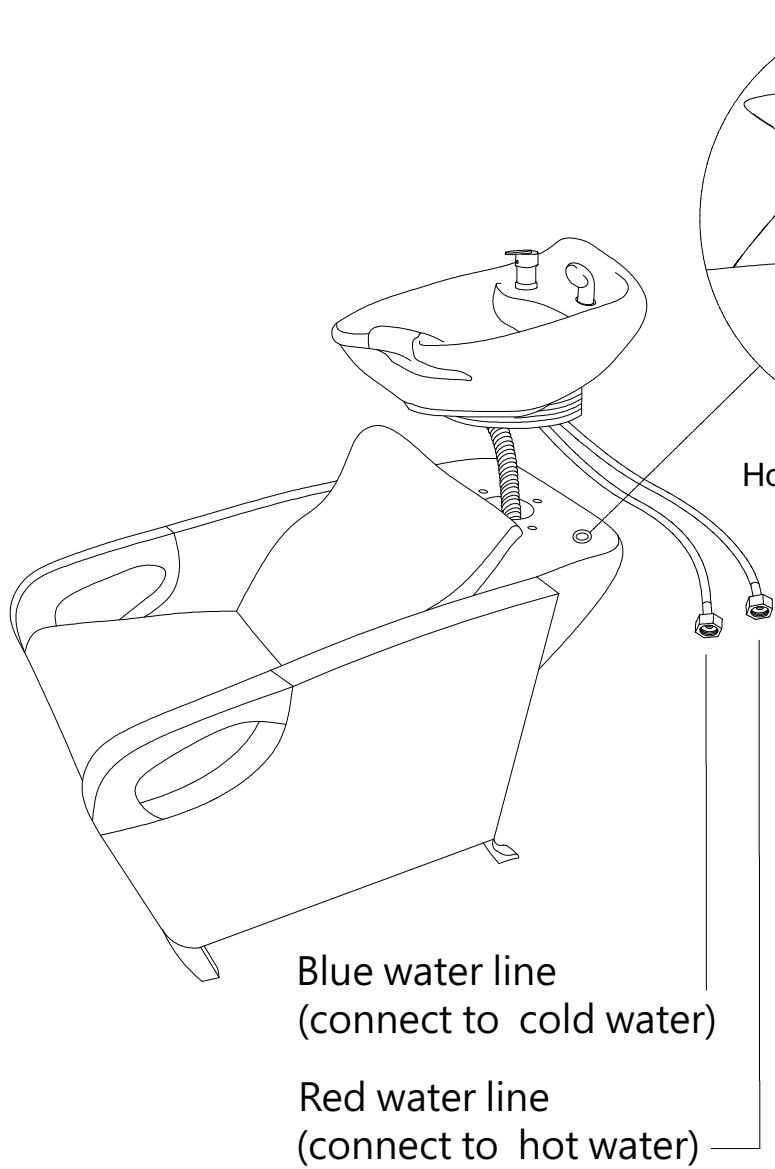
1. Loosen the nut on the bottom of the shampoo fixture to remove the half-moon metal clip.
2. Once the half-moon metal clip has been removed, place the fixture on the shampoo bowl and slide the half-moon metal clip back into place from underneath. Retighten the nut to secure the fixture. See diagram above.

Step 7

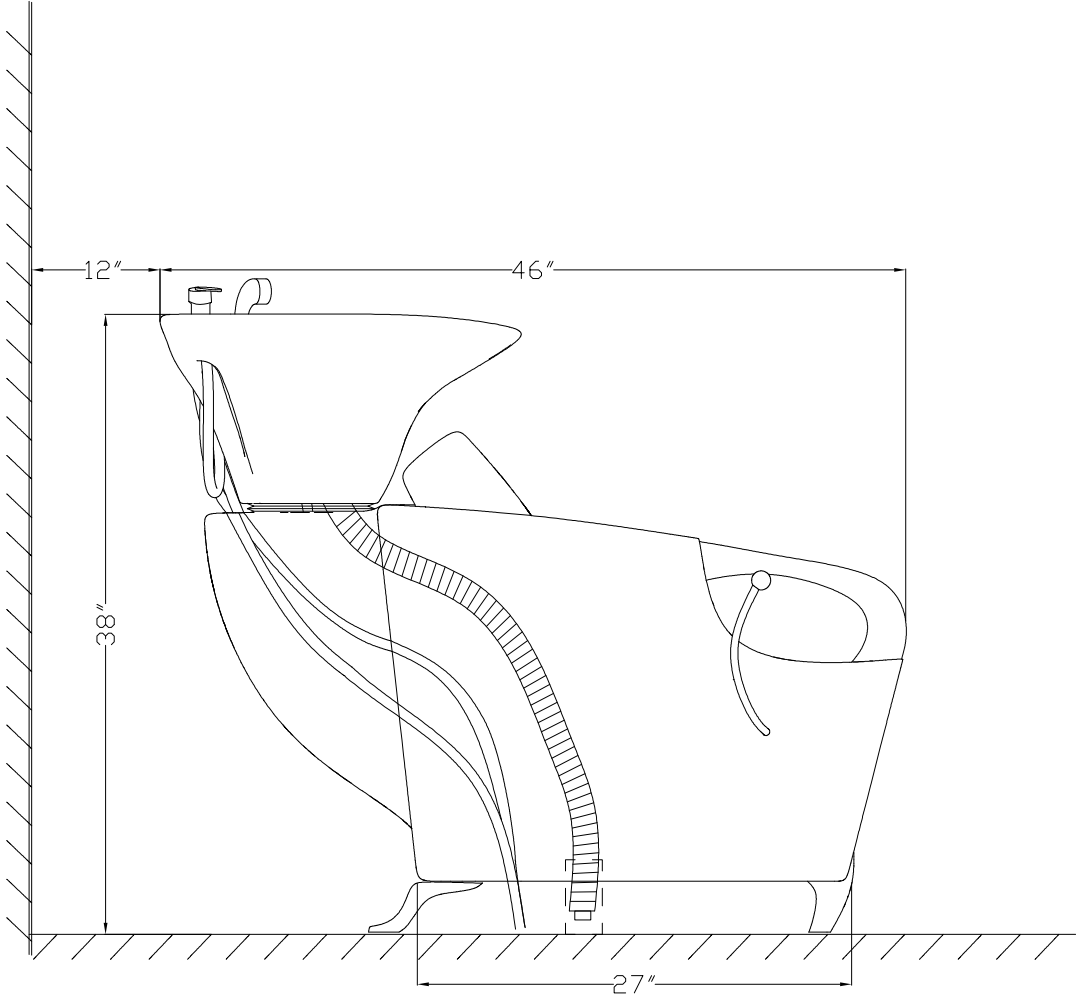
Shampoo Hose and Vacuum Breaker Hose



1. Attach the bottom of the shampoo hose to the bottom of the vacuum breaker as shown in the diagram above.
2. Using the vacuum breaker hose, connect the bottom of the vacuum breaker to the bottom of the shampoo fixture as shown in the same image.
3. For proper installation, ensure the shampoo hose is connected to the side of the vacuum breaker marked with a down arrow (↓), and the vacuum breaker hose is connected to the side marked with an up arrow (↑).

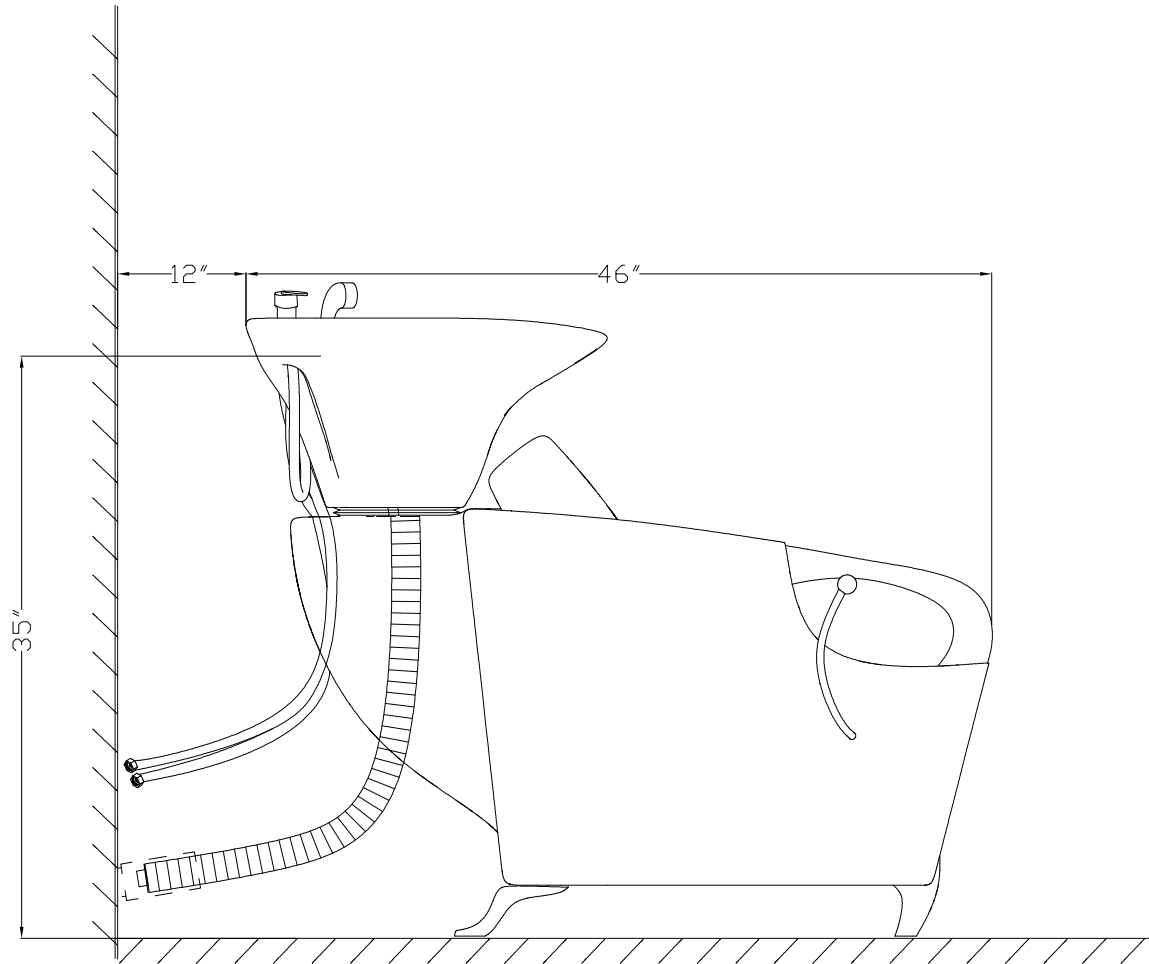


Floor plumbing setup:



We recommend leaving 12" of space from the finished wall to the back of the shampoo bowl for full tilting range.

Wall Plumbing setup:

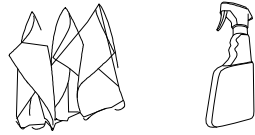


We recommend leaving 12" of space from the finished wall to the back of the shampoo bowl for full tilting range.

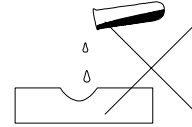
Product care



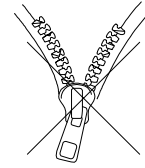
Brush away excess hair



Clean surface with damp cloth or use simple soap & water solution.



Avoid using corrosive cleaning agents such as bleaches.



Do not remove upholstery for cleaning

Product Information

1. Enjoy your new shampoo chair!
2. For added safety, please be sure to anchor your shampoo unit to the floor with the appropriate hardware for your floor type.
3. Every local jurisdiction will have their own code for how plumbing needs to be installed. In order to maintain a valid warranty, you must have a license plumber perform the installation.
4. Ensure the drain hose is installed with a downward slope to allow gravity to provide proper drainage.
5. If you have any questions or concerns, please contact our customer experience team at 912-335-4445.