

LENOX

Enduring Elegance



L E N O X D M



The Lenox DM Pedicure Chair is a statement of refined elegance and indulgent comfort. Designed for elite salons and luxury spas, its diamond inspired form, plush upholstery, and customizable basin finishes deliver a truly elevated pedicure experience.







PREMIUM POLYURETHANE LEATHER

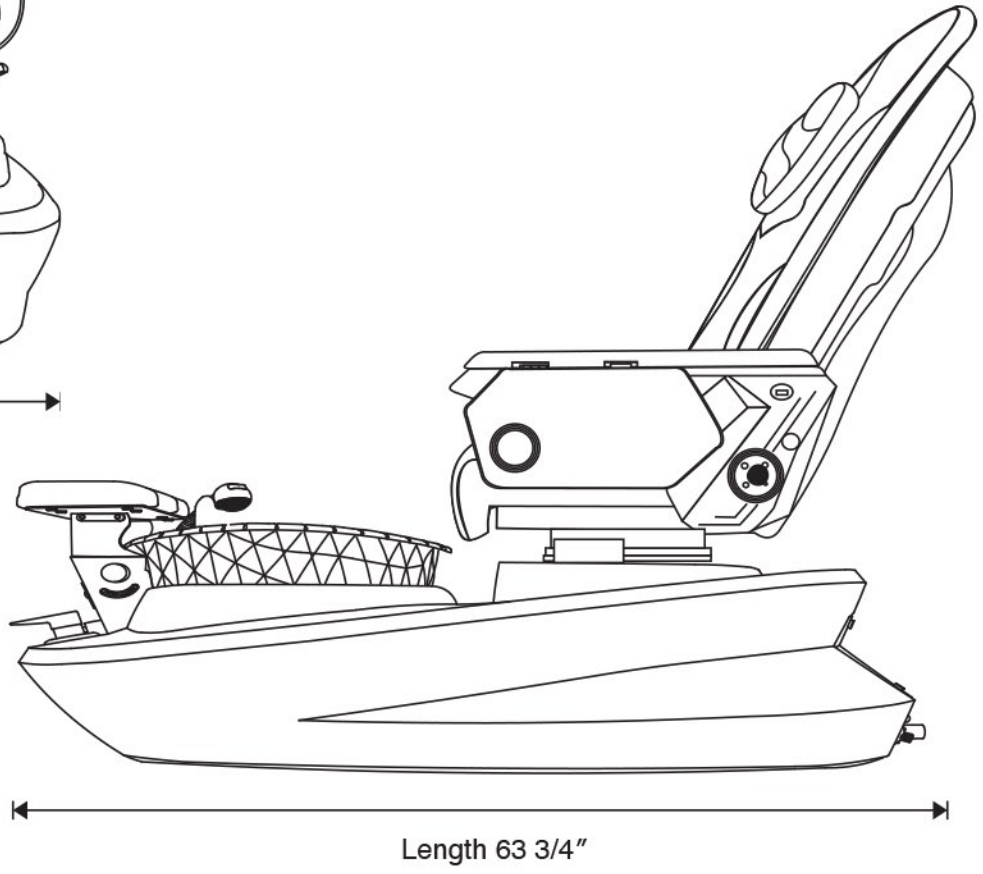
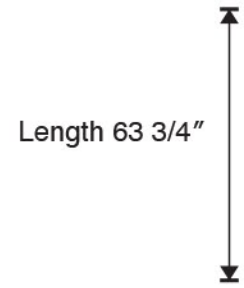
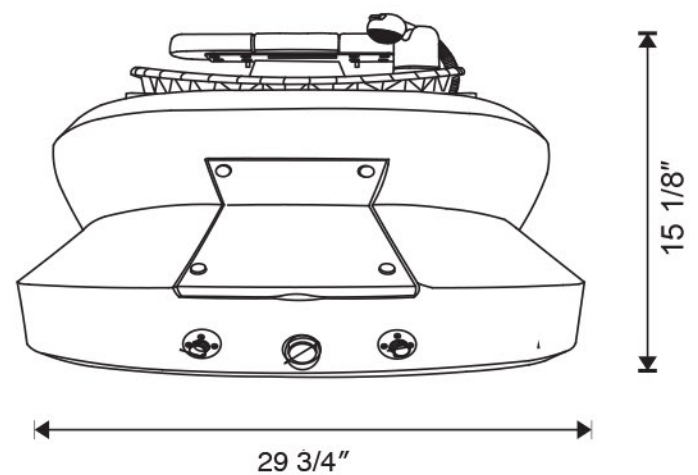
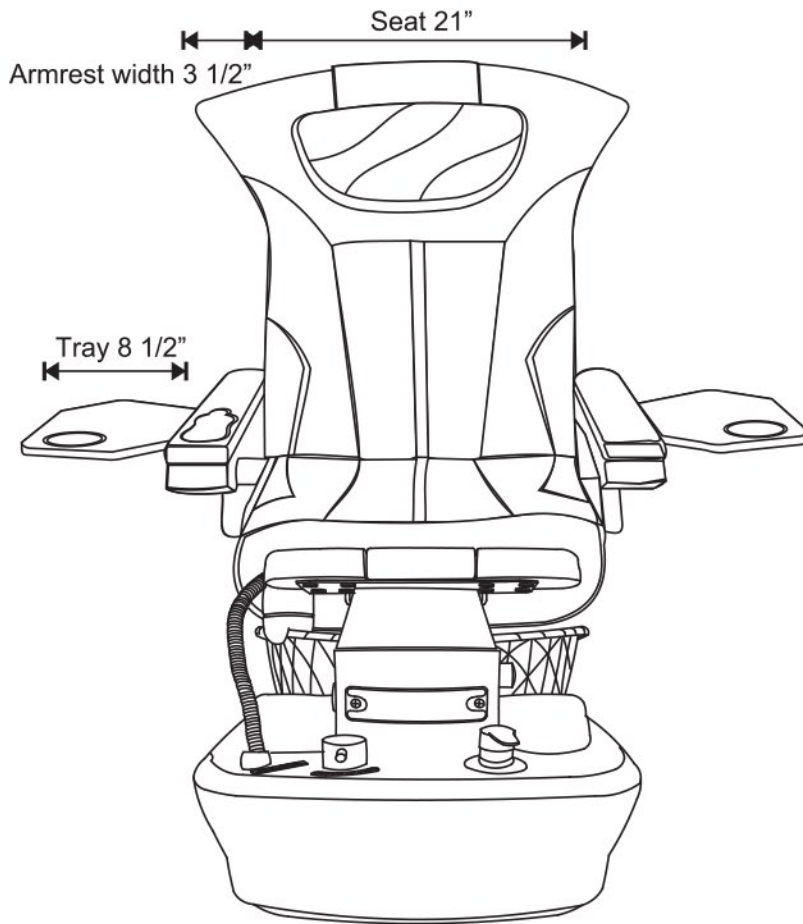


FOLDABLE ARMREST



ADJUSTABLE FOOTREST, MULTIFUNCTION SHOWERHEAD

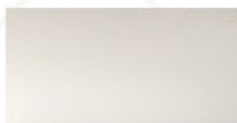
SPECIFICATION



LISTED E242637

COLORS

BASE



SAHARA GOLD



MIDNIGHT BLACK

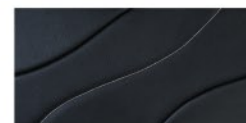


PRISTINE WHITE



CHARCOAL GREY

CHAIR UPHOLSTERY



BLACK



TERRA RED



TAUPE



CHOCOLATE



WHITE



GRAY

**Actual colors may differ due to limitations and variations inherent in the manufacturing process.

BOWLS



BLACK NICKEL



CHAMPAGNE GOLD



CRYSTAL REFLECTIONS

DETAILS & FEATURES

Uncompromising materials and construction, quality and style reinforce elegance, comfort and performance. The Lenox DM is built and designed to serve clients and salon professionals beautifully over the years.

- Pipeless water systems assure fresh, pure and clean water delivery. Reinforced hoses for hot and cold water lines and a dual spray nozzle provide precise operation with easy, predictable control.



FULL SHIATSU MASSAGE MENU IS CONVENIENTLY EMBEDDED IN THE ARM REST

FURNITURE

MONACO

CUSTOMER CHAIR

- OVERALL DIMENSION: 29" X 16" X 25"
- WEIGHT: 43LBS
- SHIPPING DIMENSIONS
 - 23" X 20" X 14" SHIPPING
 - WEIGHT: 22LBS

MONACO CUSTOMER CHAIR



GRAY



BLACK



CAPPUCCINO



CHOCOLATE



MOCHA

M STOOL

TECHNICIAN STOOL

- OVERALL DIMENSION: 19"W X 23"D
- WEIGHT: 18 LBS
- HEIGHT ADJUSTMENT:
 - LOW PISTON (PEDICURE): 13" TO 16"
 - MEDIUM PISTON (MANICURE): 16" TO 19.5"
- SHIPPING DIMENSIONS 1 IN 1 BOX :
 - 23" X 20" X 14" SHIPPING
 - WEIGHT: 22LBS
- SHIPPING DIMENSIONS 2 IN 1 BOX:
 - 23" X 20" X 17" SHIPPING
 - WEIGHT: 39LBS

M STOOL



TAUPE



BLACK



GREY



CHOCOLATE



BURGUNDY

EURO STOOL

TECHNICIAN STOOL

- OVERALL DIMENSION: 19"W X 23"D
- WEIGHT: 17 LBS
- HEIGHT ADJUSTMENT:
 - LOW PISTON (PEDICURE): 13" TO 16"
 - MEDIUM PISTON (MANICURE): 16" TO 19.5"
- SHIPPING DIMENSIONS: 23" X 19" X 15" "
- SHIPPING WEIGHT 1 IN 1 BOX: 19LBS
- SHIPPING WEIGHT 2 IN 1 BOX: 36LBS

EURO STOOL



WHITE



BLACK



CHOCOLATE



CAPPUCCINO



GRAY



MOCHA



RED



RED ORANGE



TAUPE

→ Check the QR Codes for details about the Stools & Chairs



FURNITURE

YL TECH STOOL

- OVERALL DIMENSION: 28" X 21" X 19"
- WEIGHT: 19 LBS



TAUPE



CHOCOLATE



TERRA RED



WHITE



BLACK



MOCHA



GREY



ROSEWOOD

YL GLIDE CUSTOMER CHAIR

- OVERALL DIMENSION: 23" X 22" X 30"
- WEIGHT: 30 LBS



TAUPE



MOCHA



GREY



CHOCOLATE



BLACK

FRAME COLOR



CHROME



GOLD

YL CUSTOMER CHAIR

- OVERALL DIMENSION: 34" X 25" X 17"
- WEIGHT: 30 LBS



CHOCOLATE



WHITE



GREY



BLACK



TAUPE



MOCHA



TERRA RED

GRAY GOLD NAIL SINGLE TABLE

DIMENSION: 40" W x 30 1/2" H x 16" L



Colors: White Granite Marble Top & Gray Body with Gold Trim

GRAY GOLD NAIL DOUBLE TABLE

DIMENSION: 71" W x 30 1/2" H x 16" L



Colors: White Granite Marble Top & Gray Body with Gold Trim

PROVAC NAIL SALON TABLE

DIMENSION: 40" W x 30 1/2" H x 18 1/2" L



Colors: White Granite Marble Top & White Body



Optional
Ventilation

Optional Ventilation is available for both single & double tables. Consult with your local and state board regulations for compatibility.

FURNITURE

SINGLE NAIL TABLE

DIMENSIONS: 40"W X 30 1/2"H X 16"L



Colors: White Granite Top & Dark Brown Wood White Wood

NAIL DRYER STATION

DIMENSIONS: 55 1/2"W X 36 1/2"H X 16 1/8"L



Colors: White Granite Top & Dark Brown Wood White Wood

RECEPTION

DIMENSIONS: 52 3/4"W X 44 1/4"H X 18 1/2"L



Colors: White Granite Top & Dark Brown Wood White Wood

DOUBLE NAIL TABLE

DIMENSIONS: 71"W X 30 1/2"H X 16"



Colors: White Granite Top & Dark Brown Wood White Wood



Optional Ventilation is available for both single & double tables. Consult with your local and state board regulations for compatibility.

TROLLEY

DIMENSIONS: 20" W X 16" D X 42.5" H



Walnut Wood

White Wood

PEDI CART

DIMENSIONS: 14 1/4"W X 17"H X 14 1/4"L



Dark Brown Wood

White Wood

HOT TOWEL WARMER



(L: 27LBS)

(M: 18LBS)

(S: 12LBS)



www.jausainc.com

PATENT LISTED

J&A USA, Inc., founded in 1996 in the state of New York, is committed to the design and manufacture of quality pedicure spas. J&A USA, Inc. believes the specifications in this booklet to be correct at the time of publication. Specifications, standard equipment, options and colors are subject to change without notice. Please consult your dealer for advice concerning current availability of standard and optional equipment. J&A USA Inc. requires that installations of new pedicure spas be performed with the assistance of a licensed plumber and licensed electrician. Installation must comply with all state and local building codes.

Pedicure spas cannot operate efficiently or safely unless provided with adequate electrical power, adequate water pressure, proper water temperature, and required drainage.

Warranty coverage includes repairs and adjustments needed to correct any defects in materials or workmanship, or any part supplied by J&A USA Inc. from the date of purchase. Massage/Vibration pedicure chairs are covered under warranty for 24 months, excluding noise, vibration, cosmetic conditions, and other deterioration caused by normal use. Fiberglass pedicure tubs are covered under warranty for 24 months, excluding damage resulting from striking or leaping onto the base, damage due to direct sunlight or exposure to light bulbs, or normal wear to metallic plated hardware, stickers, and paint. Pedicure glass bowls are covered under warranty for 24 months, excluding damage from impact upon striking or leaping onto the bowl, or surface degradation caused by contaminants in water, such as calcium and mineral deposits.

This warranty covers repairs and adjustments needed to correct defects in materials or workmanship of any part supplied by J&A USA Inc., except in the case of fire, accident, or theft. Damage from misuse, such as striking or leaping onto the unit, damage from improper repairs, alterations, tampering, or failure to perform proper maintenance will not be covered. If J&A USA Inc. receives notice of defective products during the applicable warranty period, J&A USA Inc. shall either repair or replace the defective parts at J&A USA Inc. discretion. The replacement product may either be new or be the equivalent in performance to new. J&A USA Inc. will provide free shipping for replacement parts to any qualifying address in the contiguous U.S. Products are manufactured by J&A USA, Inc., 335 Crooked Hill Rd., Brentwood, NY 11717.

<https://www.buyritebeauty.com/>