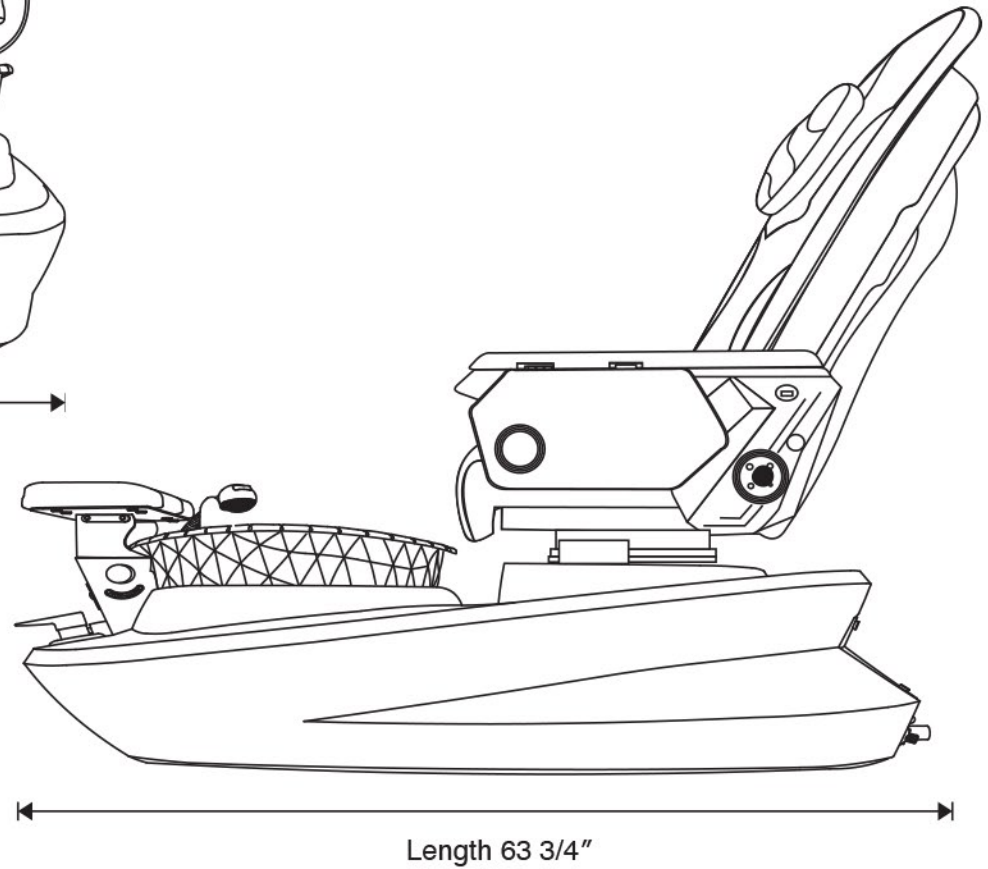
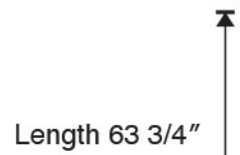
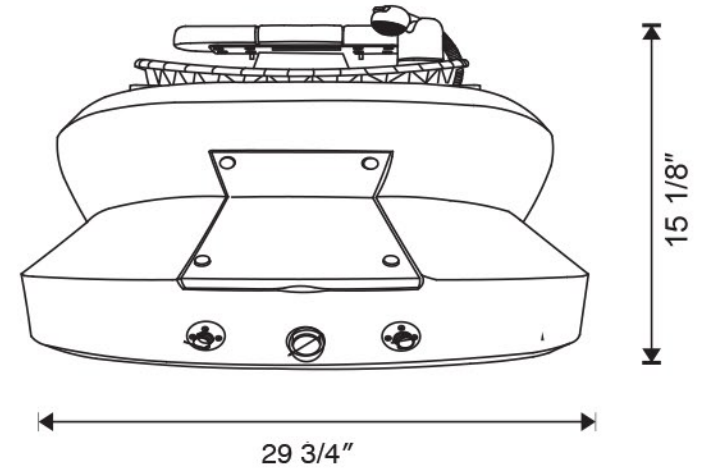
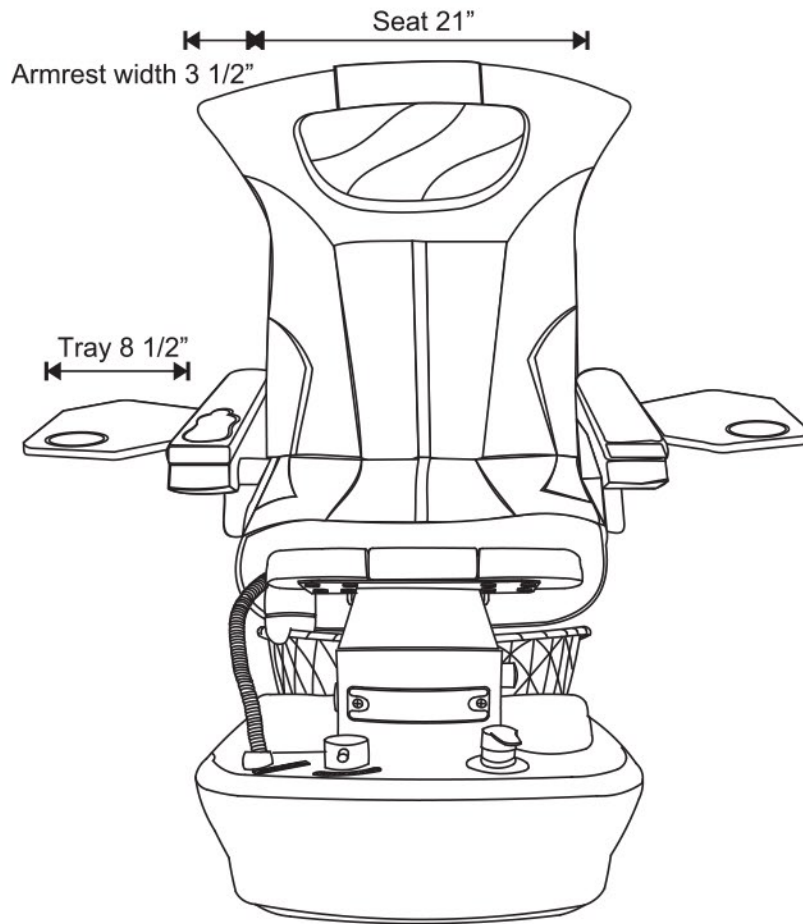


SPECIFICATION



LISTED E242637